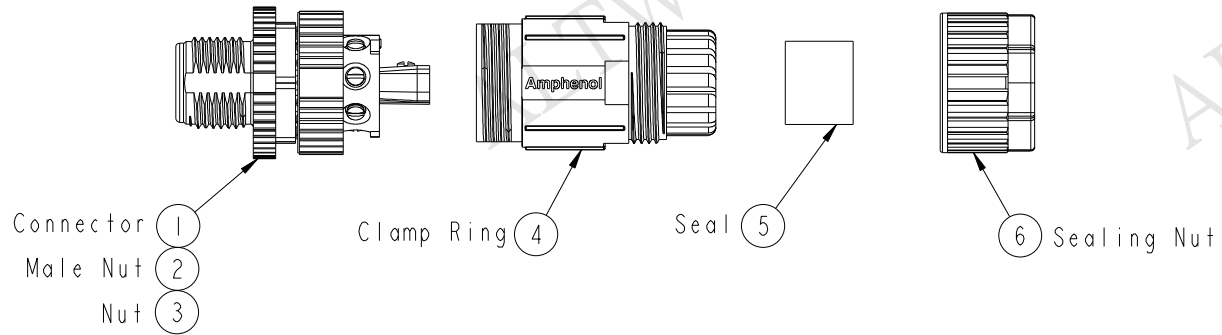
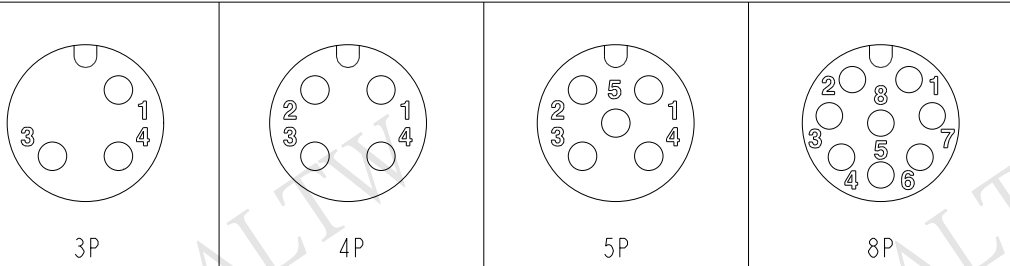
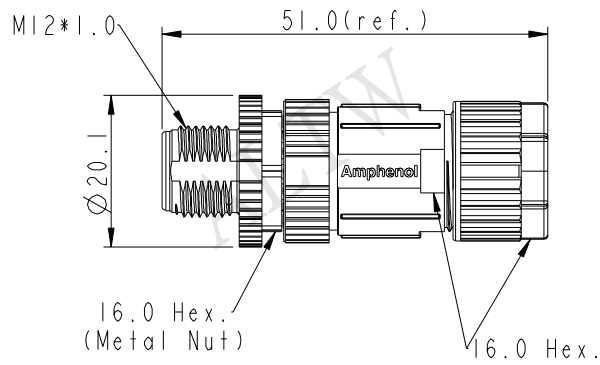


1	2	3	4	5	6	7	8
REV.	ECN NO.	DATE	SIGN	DESCRIPTION			

ALTW
CONFIDENTIAL
2015-09-29
R&D DEPT.



ALTW
DCC. DEPT.
CONFIDENTIAL
2015.10.28
ISSUED

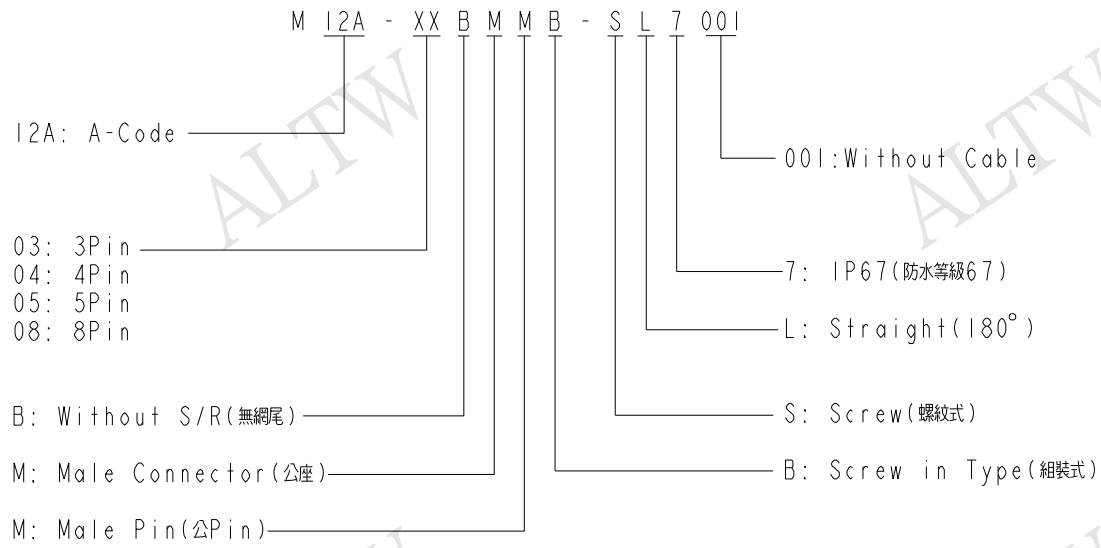
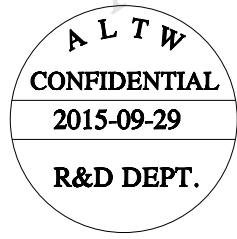
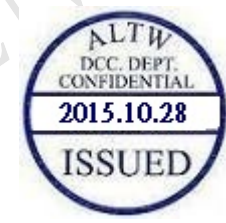


Pin Assignments Front View

UNIT:mm TOLERANCE ±0.5mm	TITLE M12 A-code Assy M Conn. M Pin		<h1>Amphenol LTW</h1> 安費諾亮泰企業股份有限公司		ITEM NO	DRAWN BY Mila	DATE 2015-09-29
	SCALE 1:1	SIZE A4			SHEET 1 OF 2	DWG NO M12A-XXBMMB-SL7001	CHECKED BY Cary
	REV. A	WC-REV. A.4	QC: Inspection item	CUSTOMER ALTW	APPROVED BY Jerry	DATE 2015-09-29	

THIS DOCUMENT IS SUBJECT TO CHANGE WITHOUT NOTICE. IT IS CONFIDENTIAL AND A PROPERTY OF Amphenol LTW. DISCLOSURE TO THIRD PARTY HAS TO BE AUTHORIZED BY Amphenol LTW.

THIS DOCUMENT IS SUBJECT TO CHANGE WITHOUT NOTICE. IT IS CONFIDENTIAL AND A PROPERTY OF Amphenol LTW. DISCLOSURE TO THIRD PARTY HAS TO BE AUTHORIZED BY Amphenol LTW.



- Note:
- * (C) Important Dimension To Check.
 - * Waterproof Rate: IP67
 - * Housing: Nylon, Black
 - * Male Pin: Copper Alloy, Gold Plated
 - * Male Nut: Zinc Alloy, Nickel Plated
 - * Nut: Zinc Alloy, Nickel Plated
 - * O-Ring: Silicon, Grey
 - * Clamp Ring: Nylon, Black
 - * Sealing Nut: PBT+PC, Black
 - * Seal: Silicon, Grey
 - * Seal For Cable OD: $\varnothing 4.0\text{mm} \sim \varnothing 8.0\text{mm}$
 - * Screws for Wire connection recommended tightening torque: 0.61~0.84 kgf.cm / 0.059~0.082 N.m
 - * Applicable Wire gauge (Stranded wire cross section) 0.14mm² (26AWG) ~ 0.82mm² (18AWG)
 - * Mating Recommended tightening torque: 3~4 kgf.cm / 0.29~0.39 N.m
 - * Sealing-Nut Recommended tightening torque: 4~6 kgf.cm / 0.39~0.59 N.m
 - * Detailed applicable wire specifications may vary depending on the actual wire construction.

UNIT:mm TOLERANCE $\pm 0.5\text{mm}$	TITLE M12 A-code Assy M Conn. M Pin		ITEM NO		DRAWN BY Mila	DATE 2015-09-29
	SCALE 1:1	SIZE A4	SHEET 2	OF 2	CHECKED BY Cary	DATE 2015-09-29
	REV. A	WC-REV. A.4	QC: Inspection item		APPROVED BY Jerry	DATE 2015-09-29
DWG NO M12A-XXBMMB-SL7001			CUSTOMER ALTW			

Amphenol LTW
安費諾亮泰企業股份有限公司

单击下面可查看定价，库存，交付和生命周期等信息

[>>Amphenol\(安费诺\)](#)