


Amphenol PCD SZ
ORIGINAL
PDF Format
R&D

NOTES:

1. PRODUCT DO NOT INCLUDE CONTACT, NEED TO BUY SEPARATELY.
2. THE POWER PIN:
2.5~4mm² CABLE P/N: EX30M4
6 mm² CABLE P/N : EX30M6
3. THE HVIL PIN :
0.5~0.75mm² CABLE P/N:EX16M1
4. SCOPE OF CABLE OUTSIDE DIAMETER OPTION:
CABLE OD =11~15mm;
5. TORQUE 1:7~10N.m
TORQUE 2:10~15N.m 

5. PART NUMBER DESCRIPTION:

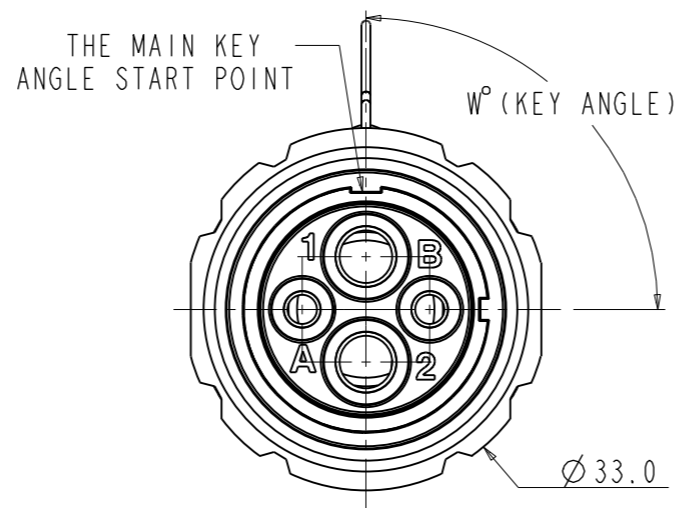
EX402 06 X M

CABLE SHIELD OPTION

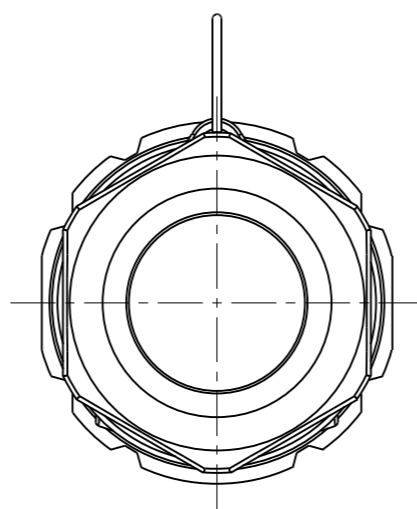
M: MULTICORE SHIELDING CABLE

KEY OF CODING OPTION

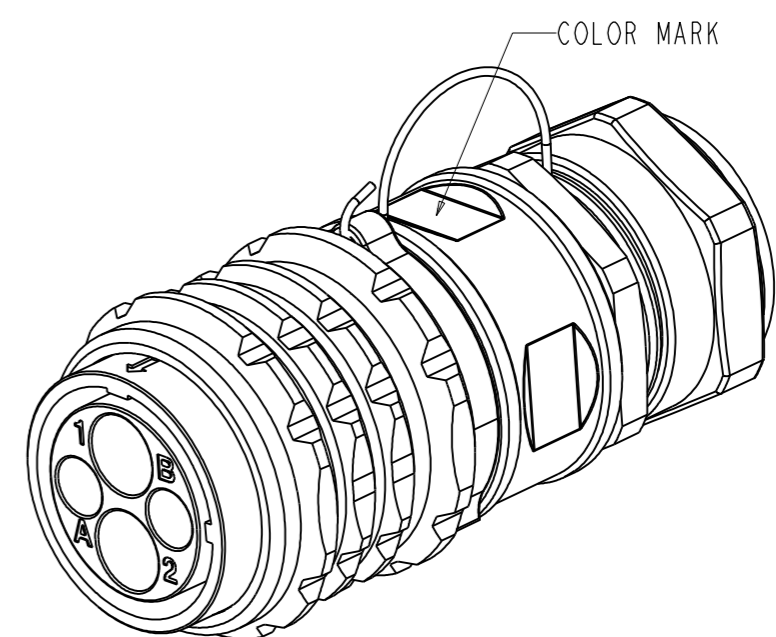
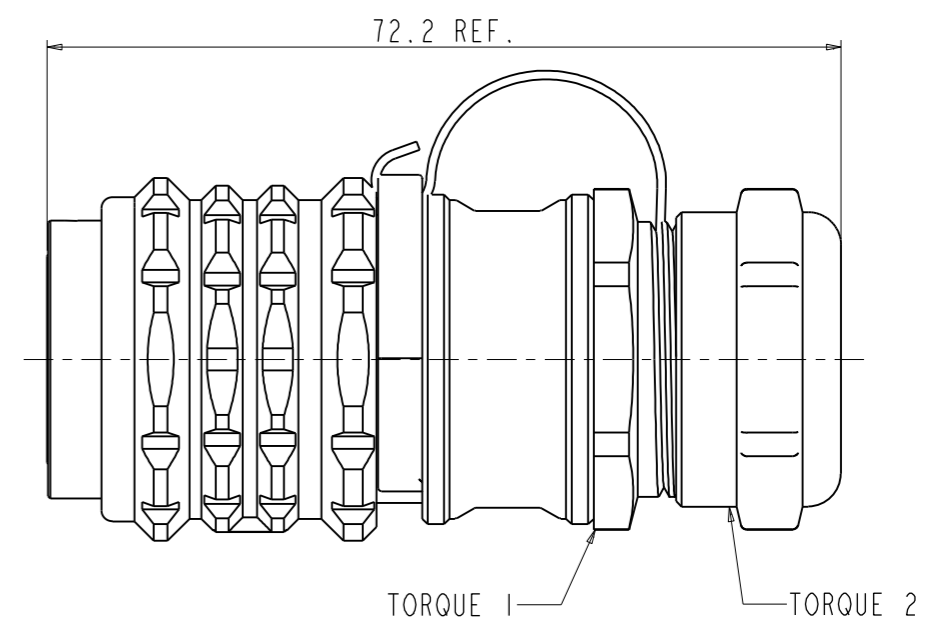
- A: KEY A & RED($w^\circ=45^\circ$)
- B: KEY B & BLACK($w^\circ=90^\circ$)
- C: KEY C & YELLOW($w^\circ=180^\circ$)
- D: KEY D & GREEN($w^\circ=270^\circ$)
- E: KEY E & BLUE($w^\circ=315^\circ$)

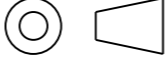


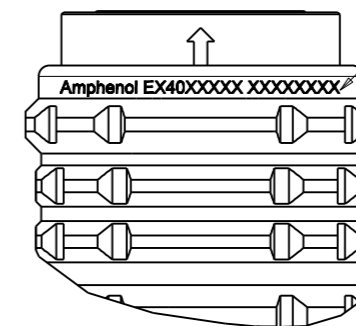
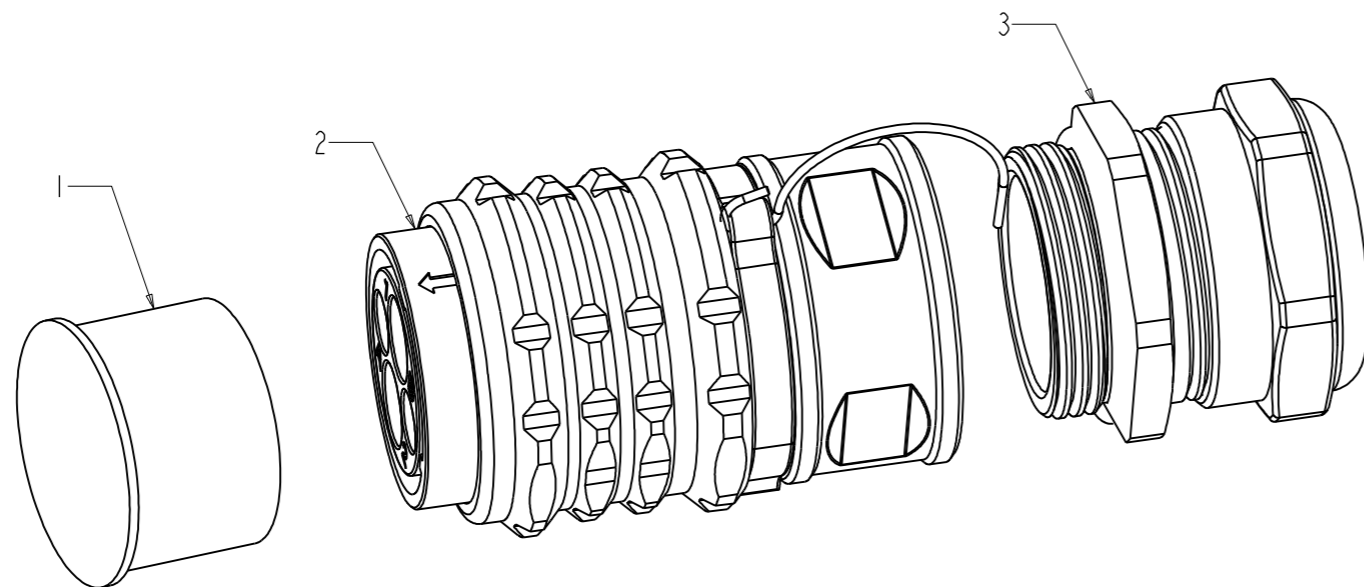
1,2 HOLES FOR Ø 3.0 POWER PIN
A,B HOLES FOR Ø 1.6 HVIL PIN



BACK VIEW



DIMENSIONS ANSI Y14.5M UNITS: MM Pro/E FILE	TOLERANCES .X ±0.5 .XX ±0.05 ANGLES ±2°	PROJECTION 	Amphenol PCD Shenzhen			EX402 SERIES PLUG		
			ENGR			SIZE A3	DWG NO. C-EX40206XM	REV 4
ORIGINAL	THIS DOCUMENT CONTAINS PROPRIETARY INFORMATION WHICH IS THE CONFIDENTIAL PROPERTY OF Amphenol PCD Shenzhen Co. Ltd Amphenol PCD Shenzhen Co. Ltd RESERVES THE RIGHT TO CLARIFY THIS DRAWING		CHKD			CODE: 58982		
			APPD			SCALE: 3:2		SHEET 1 OF 2



LETTER DESCRIPTION:
LOGO+P/N+THE TRACEABILITY CODE

6. TECHNICAL DATA TABLE

TECHNICAL DATA		
CURRENT RATING (6 mm ² SHIELDING CABLE)	40A @ AMBIENT 70°C	✦
CURRENT RATING (4 mm ² SHIELDING CABLE)	32A @ AMBIENT 70°C	✦
CURRENT RATING (2.5 mm ² SHIELDING CABLE)	23A @ AMBIENT 70°C	✦
CURRENT RATING (0.5~0.75mm ² CABLE)	5A @ AMBIENT 70°C	✦
RATING VOLTAGE (OVERVOLTAGE CATEGORY II POLLUTION DEGREE 2)	1000V DC	✦
OPERATING TEMPERATURE	-40~125°C	
DIELECTRIC WITHSTANDING VOLTAGE	POWER CONTACT 3000V AC(RMS)	✦
	HVIL CONTACT 660V AC(RMS)	✦
INSULATION RESISTANCE	200MΩ MIN.@25°C NO CABLE	✦
DURABILITY	50 CYCLES	◎
SHIELDING	YES	
WATERPROOF (MATED CONDITION)	IP 68 & IPX9K	✦
PROTECTION LEVEL	IP2XB	✦
AMBIENT TEMPERATURE	-40~70°C	
RoHS	YES	✦

7. CONNECTOR SELECTION TABLE

ASSEMBLY P/N	ITEM	P/N	DESCRIPTION	Q'TY
EX40206XM	3	P01BN00307	GLAND	1
	2	SEE TABLE 1	MAIN BODY	1
	1	C422005984	DUST CAP	1

TABLE 1	P/N	DESCRIPTION
	P02B00009205	KEY E & COLOR: BLUE
	P02B00009204	KEY D & COLOR: GREEN
	P02B00009203	KEY C & COLOR: YELLOW
	P02B00009202	KEY B & COLOR: BLACK
	P02B00009201	KEY A & COLOR: RED

8. PIN CONTACTOR SELECTION TABLE
THE PIN NEED TO BUY SEPARATELY

P/N	DESCRIPTION	Q'TY
EX16M1	HVIL PIN FOR 0.5~0.75mm ² CABLE	2
EX30M4	POWER PIN FOR 2.5mm ² ~4mm ² CABLE	2
EX30M6	POWER PIN FOR 6mm ² CABLE	2

✦ "CRITICAL CHARACTERISTICS

◎ "IMPORTANT CHARACTERISTICS

SIZE	DWG NO.	REV
A3	C-EX40206XM	4
CODE: 58982	SCALE: 3:2	SHEET 2 OF 2

单击下面可查看定价，库存，交付和生命周期等信息

[>>Amphenol\(安费诺\)](#)