

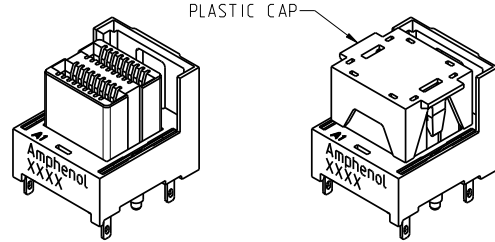
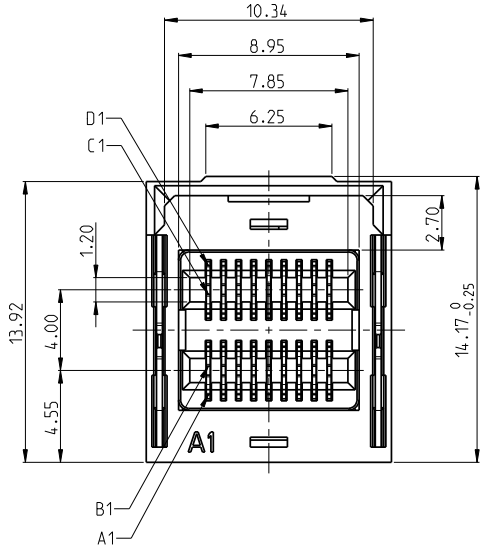
This document is the property of Amphenol Corporation and is delivered on the express condition that is not to be disclosed, reproduced or used, in whole or in part, for manufacture or sale by anyone other than Amphenol Corporation without its prior consent, and that no right is granted to disclose or to use any information in this document.

The marking on this product doesn't contain environmental hazardous materials per Material Specification SS-00259 for Sony GP compliant or per directive 2011/65/EU for RoHS compliant.

ORIGINAL



| REVISIONS | | | | |
|-----------|----------|---|------------|----------|
| SYM | ECN No. | DESCRIPTION | DATE | BY |
| A | NA | RELEASE | 04/03/2013 | HANK HSU |
| B | NE-13132 | Improved bracket anti-reverse plug function | 08/12/2013 | HANK HSU |
| C | NE-13205 | HOUSING LATCH POINT RECOVERY | 12/17/2013 | HANK HSU |
| D | NE-14147 | ADDED NARROW TRAY OPTION IN PACKING CODE | 08/05/2014 | HANK HSU |
| E | NE-17301 | UPDATED BOARDLOCK DIMENSION FROM 2.40(A) TO DIM A | 11/28/2017 | JOAN LU |



PART NUMBER SYSTEM

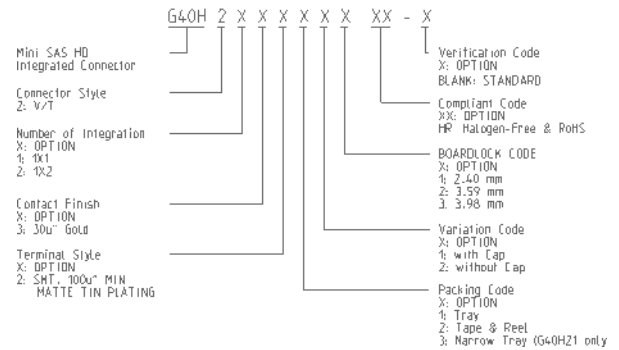
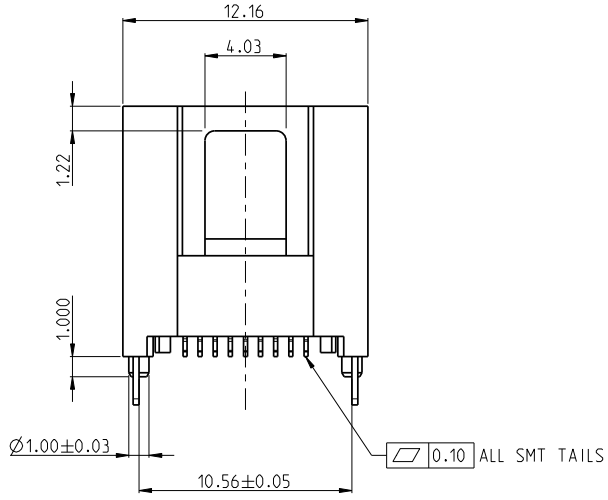
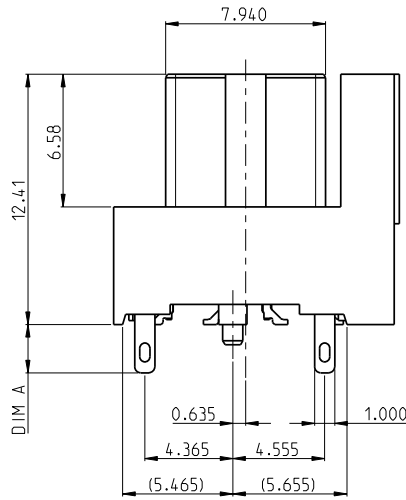
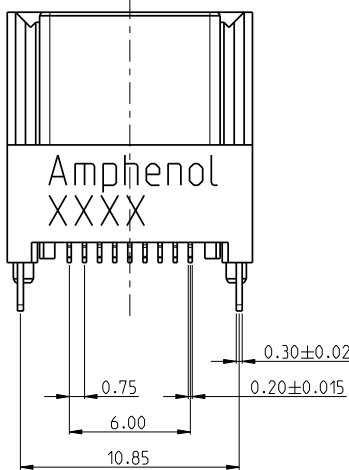
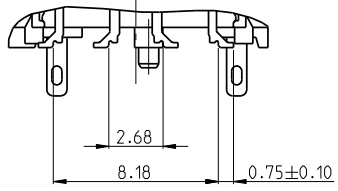


TABLE 1

| DIM A | APPLICABLE PCB THK |
|-------|--------------------|
| 2.40 | 1.57~1.60 |
| 3.59 | 2.36~2.79 |
| 3.98 | 3.18 |



- NOTES:
- INSULATOR: HIGH TEMPERATURE THERMOPLASTIC UL94V-0. COLOR: BLACK
 - TERMINAL: COPPER ALLOY
CONTACT AREA: OPTION
TAIL AREA: OPTION
UNDER PLATING: NICKEL 100u" MIN.
 - THIS PRODUCT DOESN'T CONTAIN ENVIRONMENTAL HAZARDOUS PER DIRECTIVE 2011/65/EUC FOR RoHS AND PER IEC 61249-2-21 FOR HALOGEN-FREE COMPLIANT.

| TOLERANCE | DRAWN | APPROVALS | DATE | TITLE | Amphenol® Amphenol Corporation Amphenol Taiwan Corporation | | | | |
|-------------|----------------------------|-------------|--------------|---|--|------|------|----------|---------------|
| X. | DESIGNED | Joan Lu | 11/28/2017 | MINI SAS HD INTEGRATED CONNECTOR 0.75 PITCH, V/T, SMT TYPE | UNIT | mm | SIZE | PART No. | G40H2XXXXXXHR |
| X.X ±0.30 | CHECKED | Sondra Sang | 11/28/2017 | | | | | | |
| X.XX ±0.20 | APPROVED | Hank Hsu | 11/28/2017 | | | | | | |
| X.XXX ±0.10 | UNLESS OTHERWISE SPECIFIED | DWG TYPE | PROJECT CODE | SCALE | SHEET | REV. | | | |
| ANGULAR ±2° | CUST DWG | 1515 | 1:1 | 1 OF 3 | G40H2XXXXXXHR | E | | | |

This document is the property of Amphenol Corporation and is delivered on the express condition that it is not to be disclosed, reproduced or used, in whole or in part, for manufacture or sale by anyone other than Amphenol Corporation without its prior consent, and that no right is granted to disclose or to use any information in this document.

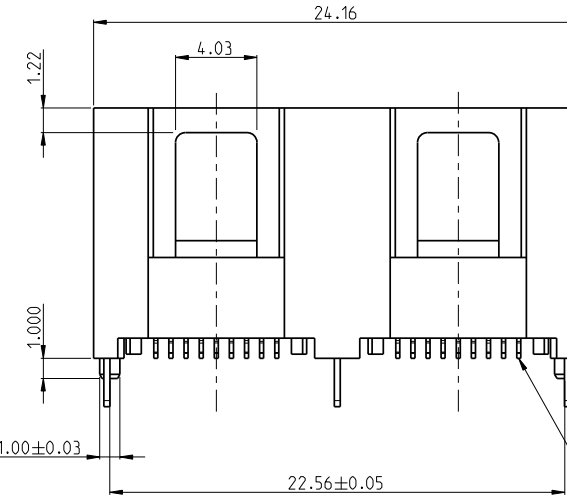
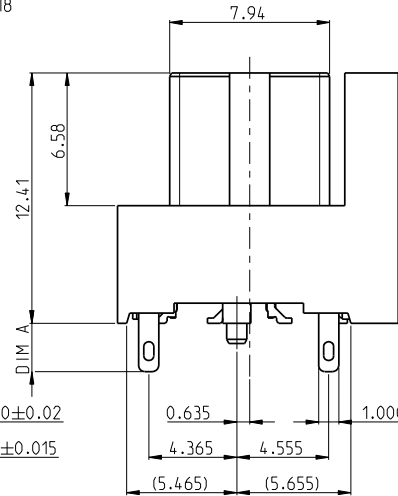
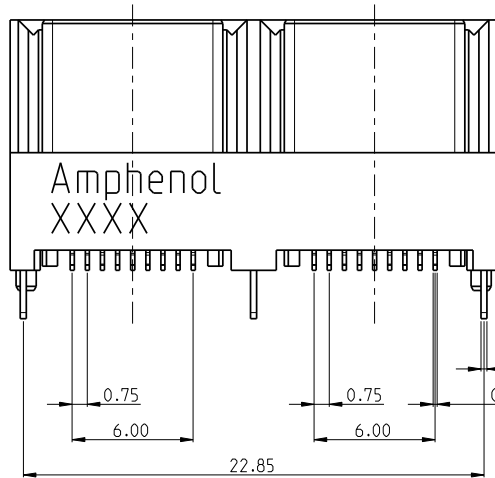
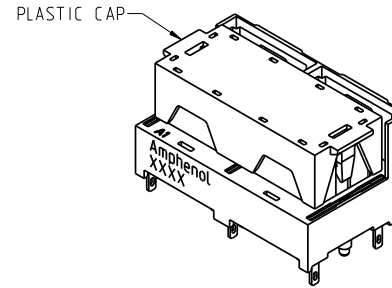
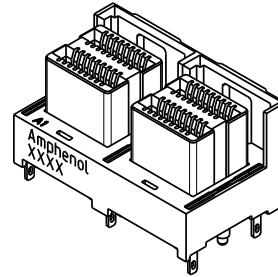
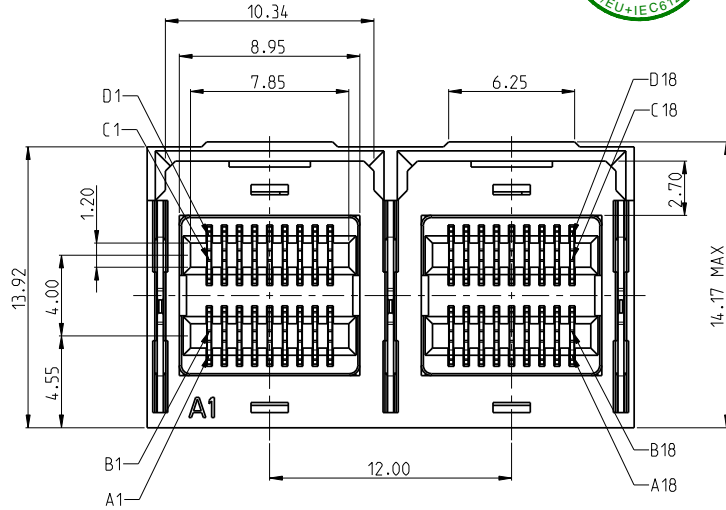
The marking on this product doesn't contain environmental hazardous materials per Material Specification SS-00259 for Sony GP compliant or per directive 2011/65/EU for RoHS compliant.



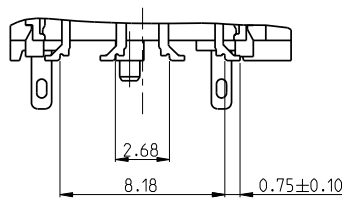
ORIGINAL



| REVISIONS | | | | |
|-----------|----------|---|------------|----------|
| SYM | ECN No. | DESCRIPTION | DATE | BY |
| A | NA | RELEASE | 04/03/2013 | HANK HSU |
| B | NE-13132 | Improved bracket anti-reverse plug function | 08/12/2013 | HANK HSU |
| C | NE-13205 | HOUSING LATCH POINT RECOVERY | 12/17/2013 | HANK HSU |
| D | NE-14147 | ADDED NARROW TRAY OPTION IN PACKING CODE | 08/05/2014 | HANK HSU |
| E | NE-17301 | UPDATED BOARDLOCK DIMENSION FROM 2.40(A) TO DIM A | 11/28/2017 | JOAN LU |



0.10 ALL SMT TAILS



| | | | | | | | | |
|----------------------------|----------|-------------|--------------|---|--|------|---------------|---------------|
| TOLERANCE | DRAWN | APPROVALS | DATE | TITLE | Amphenol® Amphenol Corporation Amphenol Taiwan Corporation | | | |
| X. ±0.30 | DESIGNED | Joan Lu | 11/28/2017 | MINI SAS HD INTEGRATED CONNECTOR 0.75 PITCH, V/T, SMT TYPE | UNIT | SIZE | PART No. | G40H2XXXXXXHR |
| X.X ±0.20 | CHECKED | Sondra Sang | 11/28/2017 | | mm | A3 | G40H2XXXXXXHR | |
| X.XXX ±0.10 | APPROVED | Hank Hsu | 11/28/2017 | SCALE | SHEET | REV. | E | |
| ANGULAR ±2° | DWG TYPE | CUST DWG | PROJECT CODE | NA | 2 OF 3 | | | |
| UNLESS OTHERWISE SPECIFIED | | | 1515 | | | | | |

This document is the property of Amphenol Corporation and is delivered on the express condition that is not to be disclosed, reproduced or used, in whole or in part, for manufacture or sale by anyone other than Amphenol Corporation without its prior consent, and that no right is granted to disclose or to use any information in this document.

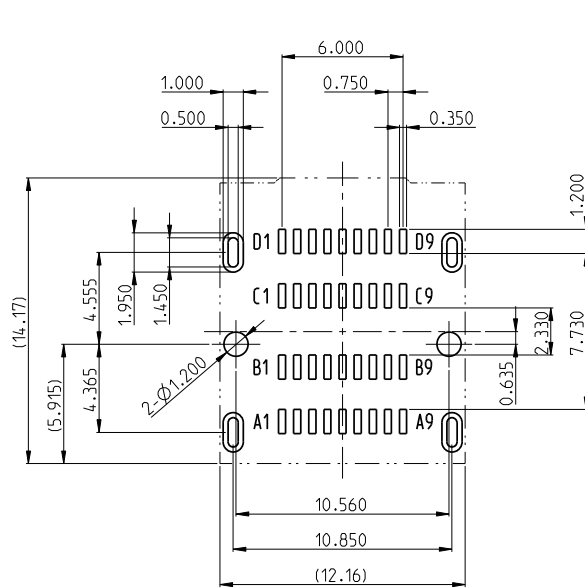
The marking on this product doesn't contain environmental hazardous materials per Material Specification SS-00259 for Sony GP compliant or per directive 2011/65/EU for RoHS compliant.



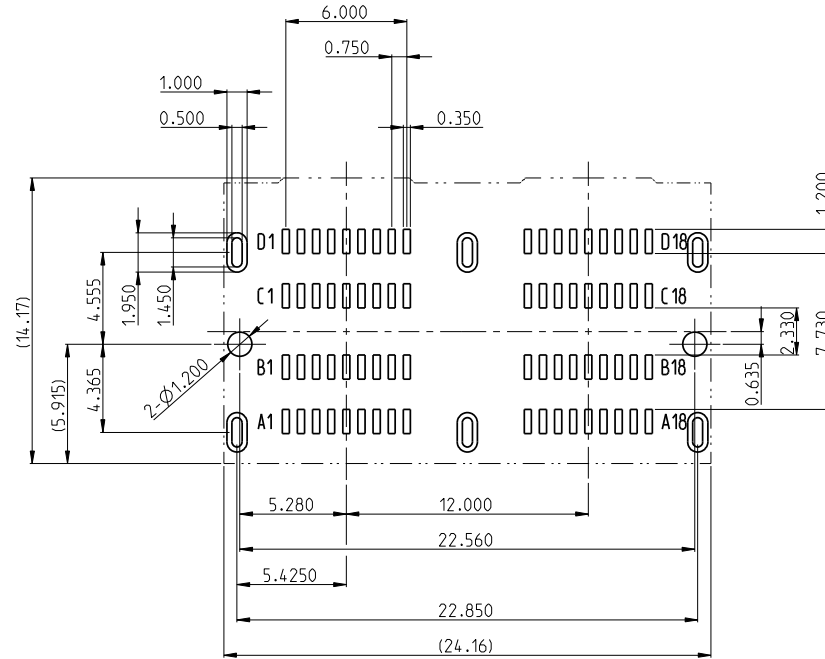
ORIGINAL



| REVISIONS | | | | |
|-----------|----------|---|------------|----------|
| SYM | ECN No. | DESCRIPTION | DATE | BY |
| A | NA | RELEASE | 04/03/2013 | HANK HSU |
| B | NE-13132 | Improved bracket anti-reverse plug function | 08/12/2013 | HANK HSU |
| C | NE-13205 | HOUSING LATCH POINT RECOVERY | 12/17/2013 | HANK HSU |
| D | NE-14147 | ADDED NARROW TRAY OPTION IN PACKING CODE | 08/05/2014 | HANK HSU |
| E | NE-17301 | UPDATED BOARDLOCK DIMENSION FROM 2.40(A) TO DIM A | 11/28/2017 | JOAN LU |



1X1 RECOMMENDED PCB LAYOUT
(ALL TOLERANCES ARE ±0.05)



1X2 RECOMMENDED PCB LAYOUT
(ALL TOLERANCES ARE ±0.05)

NOTES:

1. RECOMMENDED PCB HOLE Ø1.20 IS NPTH FOR ORIENTATION POST.
2. RECOMMENDED PCB ELLIPTICAL HOLE 0.5X1.45 IS PTH FOR BOARD-LOCK.
3. MINIMUM PCB THICKNESS: 1.57MM
4. PIN ASSIGNMENTS PLEASE REFER TO SERIAL ATTACHED SCSI-3 (SAS-3) STANDARD.

| TOLERANCE | DRAWN | APPROVALS | DATE | TITLE | | Amphenol® | | |
|-------------|-----------------------------|-------------|--------------|---|-------|---|----------|---------------|
| X. | DESIGNED | Joan Lu | 11/28/2017 | MINI SAS HD INTEGRATED CONNECTOR 0.75 PITCH, V/T, SMT TYPE | | Amphenol Corporation Amphenol Taiwan Corporation | | |
| X.X ±0.30 | CHECKED | Sondra Sang | 11/28/2017 | | | | | |
| X.XX ±0.20 | APPROVED | Hank Hsu | 11/28/2017 | | | | | |
| X.XXX ±0.10 | DWG TYPE | CUST DWG | PROJECT CODE | 1515 | UNIT | mm | SIZE | A3 |
| ANGULAR ±2° | UNLESS OTHERW ISE SPECIFIED | | | | SCALE | NA | SHEET | 3 OF 3 |
| | | | | | | | PART No. | G40H2XXXXXXHR |
| | | | | | | | DWG No. | G40H2XXXXXXHR |
| | | | | | | | REV. | E |

单击下面可查看定价，库存，交付和生命周期等信息

[>>Amphenol\(安费诺\)](#)