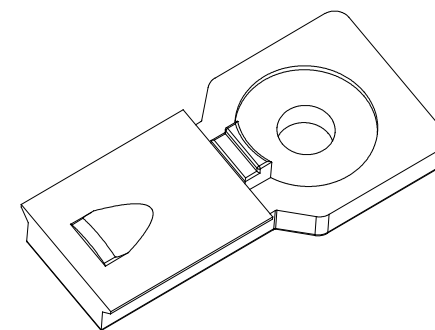
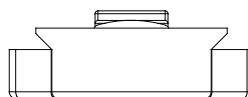
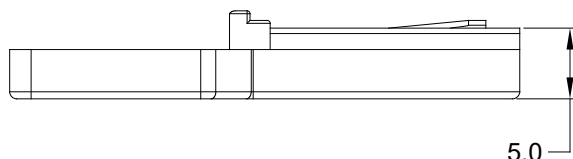
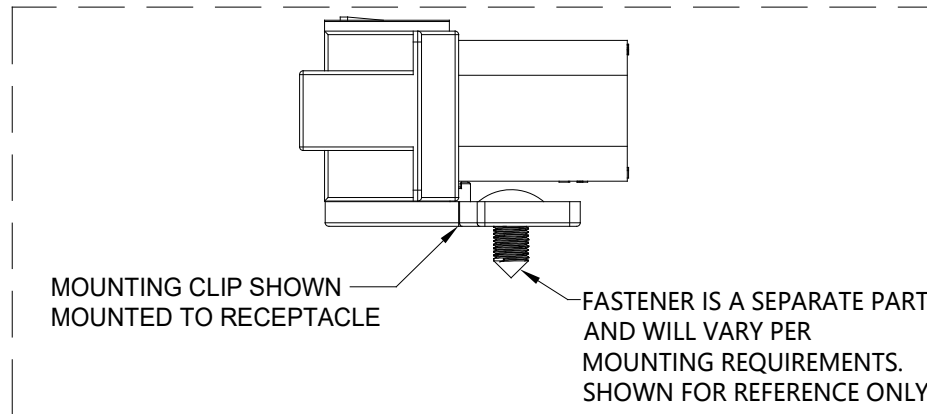
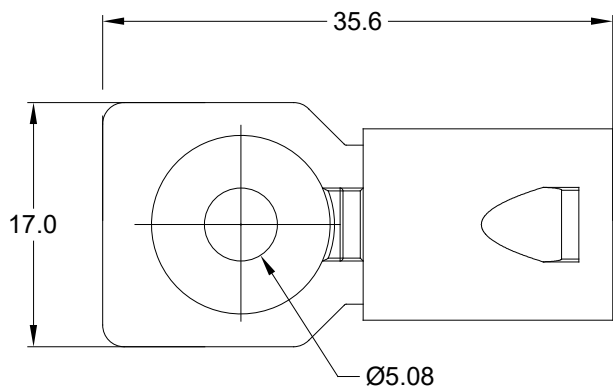


REVISIONS

REV	ECO	DESCRIPTION	DATE	BY	APPR
A1	--	RELEASE NEW PRODUCT	06/SEP/19	ROOKIE	TOMMY



NOTES: UNLESS OTHERWISE SPECIFIED

1. MATERIAL: THERMOPLASTIC; COLOR: GRAY
2. RoHS COMPLIANT
3. USE WITH CONNECTORS
A.AT04-08P*(* = MODIFICATIONS AND/OR COLORS)
4. ALL DIMENSIONS ARE FOR REFERENCE USE ONLY.

AT11-027-0805		REF:1011-027-0805	
QUANTITY	PART NUMBER	DESCRIPTION	ITEM
MATERIALS LIST			
<p>UNLESS OTHERWISE SPECIFIED</p> <p>1) All dimensions are in metric(mm).</p> <p>2) Tolerances are as follows:</p> <p>1 PL DEC ±0.30 Fractions ±1/64</p> <p>2 PL DEC ±0.15 Angles ±1°</p> <p>3 PL DEC ±0.08</p> <p>3) Note reference = </p>		<p>SIGNATURES DATE</p> <p>DRAWN: ROOKIE 06/SEP/19</p> <p>CHECKED: ORION 06/SEP/19</p> <p>ENGINEER:</p> <p>APPROVAL: TOMMY 06/SEP/19</p> <p>CUSTOMER:</p>	
MATERIAL SPECIFICATIONS:		<p style="text-align: center;">Amphenol</p> <p style="text-align: center;">Sine Systems - www.amphenol-sine.com 44724 Morley Drive Clinton Township, MI 48036</p> <p style="text-align: center;">MOUNTING CLIP, AT 8 POS RECEPTACLE PLASTIC, GRAY</p>	
PROCESS SPECIFICATIONS:			
NEXT ASSY:			
THIS DRAWING IS SUPPLIED FOR INFORMATION ONLY. DESIGN FEATURES, SPECIFICATIONS AND PERFORMANCE DATA SHOWN HEREON ARE THE PROPERTY OF THE AMPHENOL CORPORATION. NO RIGHTS OF REPRODUCTION ARE IMPLIED. ALL DIMENSIONS ARE SUBJECT TO NORMAL MANUFACTURING VARIATIONS.		<p>SIZE: A TYPE: C- DWG NO: AT11-027-0805 REVISION: A1</p> <p>SCALE: NONE</p>	<p>SHEET 1 OF 1</p>

单击下面可查看定价，库存，交付和生命周期等信息

[>>Amphenol\(安费诺\)](#)