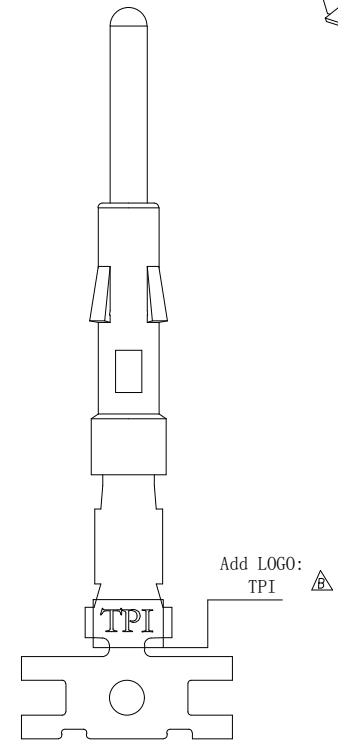
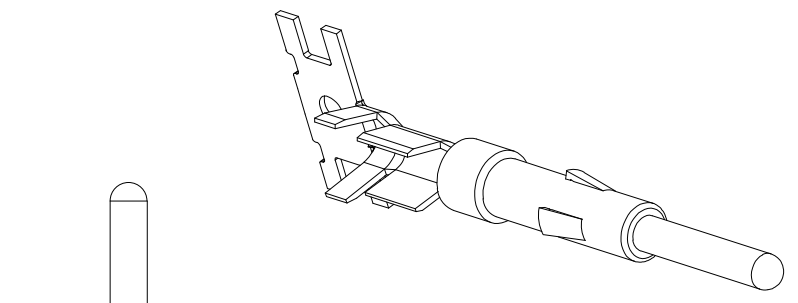
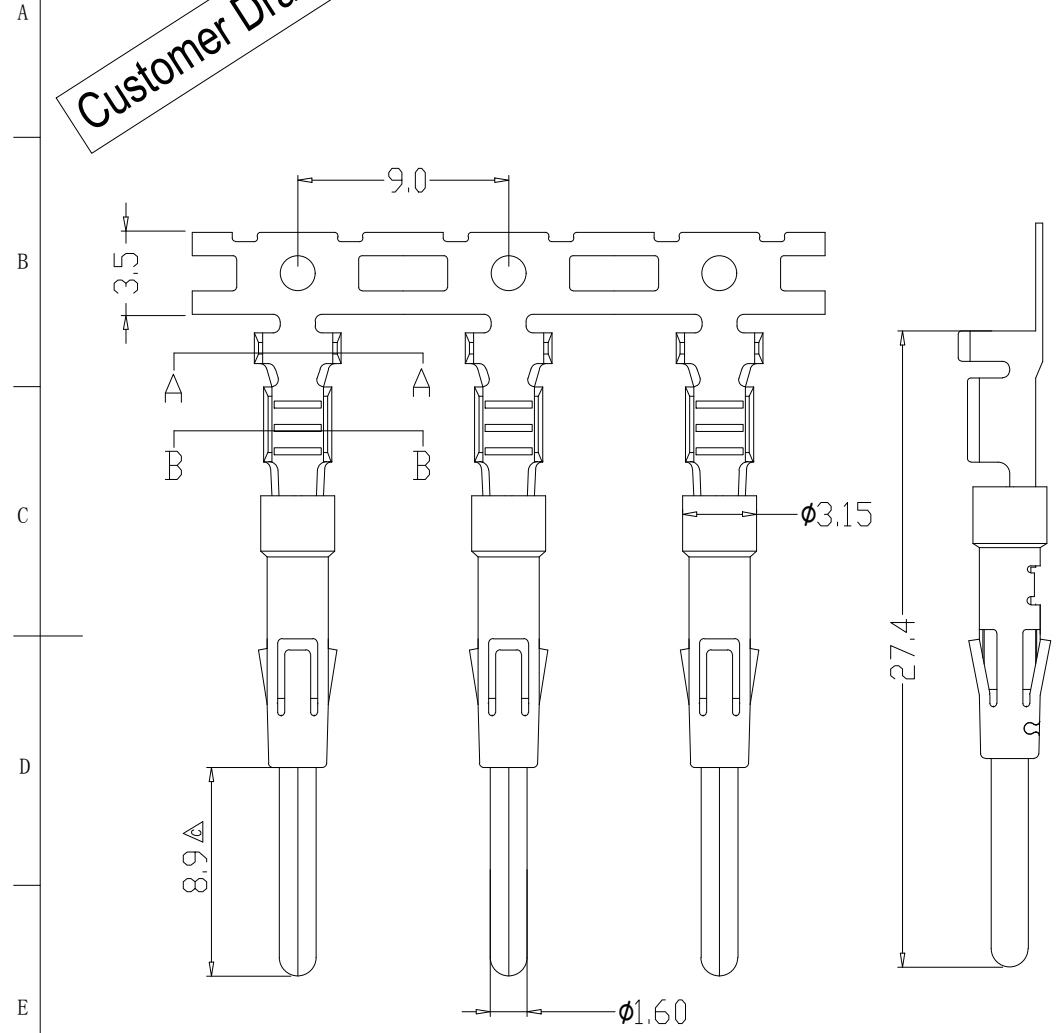


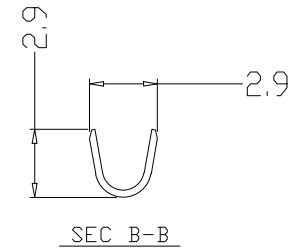
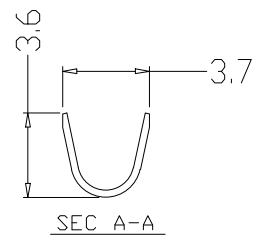
THIS DRAWING IS SUPPLIED FOR INFORMATION ONLY. DESIGN FEATURES, SPECIFICATIONS AND PERFORMANCE DATA SHOWN HEREON ARE THE PROPERTY OF THE AMPHENOL CORPORATION. NO RIGHTS OF REPRODUCTION ARE IMPLIED. ALL DIMENSIONS ARE SUBJECT TO NORMAL MANUFACTURING VARIATIONS.

Customer Drawing

| REVISIONS | | | | | | |
|-----------|------|-----|---------------------------------------------------------|----------|----|------|
| REV | ZONE | ECO | DESCRIPTION | DATE | BY | APPR |
| A | -- | -- | INITIAL RELEASE | 11/22/18 | FL | JL |
| B | -- | -- | Add LOGO | 05/08/19 | FL | JL |
| C | -- | -- | Tolerance error update, remove the gold-plated terminal | 05/12/20 | JS | JL |



- 注 (NOTES):
- 对配母端直径 Mating contact diameter: 1.6mm
 - 额定电流 Current rating: 13A
 - 端子类型 Terminatin type: Crimp
 - 压线规格 Wire size: AWG16~18
 - 电镀信息 Plating specification:
镍底镀锡 Tin over nickel
 - 材料规格 Material specification:
 - 端子: 铜合金
Contact body: Copper alloy
 - 外套: 不锈钢
Outer spring: Stainless steel
 - 符合ROHS
ROHS compliant



| | | | | | | | |
|--------------|----------------------------------------------|-------------|------------|-----------------------------------------------------------------------|-------------|----------------------------|--|
| | Amphenol Technical Products International GZ | | | | | PART NAME: | |
| | 第三角投影 THIRD ANGLE PROJECTION | 页面 SHEET | 幅面 SIZE | 版次 REV. | 比例 SCALE | HC Contact 16#Pin AWG16~18 | |
| 签名 SIGNATURE | | 日期 DATE | | UNLESS OTHERWISE SPECIFIED | | DWG NO: | |
| 制图 DRAWN | JS | 05/12/20 | | 1) All dimensions are in metric(mm). 2) Tolerances are as follows: | | HCTM21504 | |
| 审核 CHECKED | YM | 05/12/20 | | 1 PL DEC ±1.00 2 PL DEC ±0.50 3 PL DEC ±0.20 | | CUST PART #: | |
| 批准 APPROVAL | JL | 05/12/20 | | Angles ±1° | | N/A | |
| | | | | | | CUST REV. | |
| | | | | | | - | |

单击下面可查看定价，库存，交付和生命周期等信息

[>>Amphenol\(安费诺\)](#)