

PRODUCT NUMBER

10129381 - X YY XXX X XF

LEAD OR HALOGEN FREE OPTION  
(SEE NOTES 7)

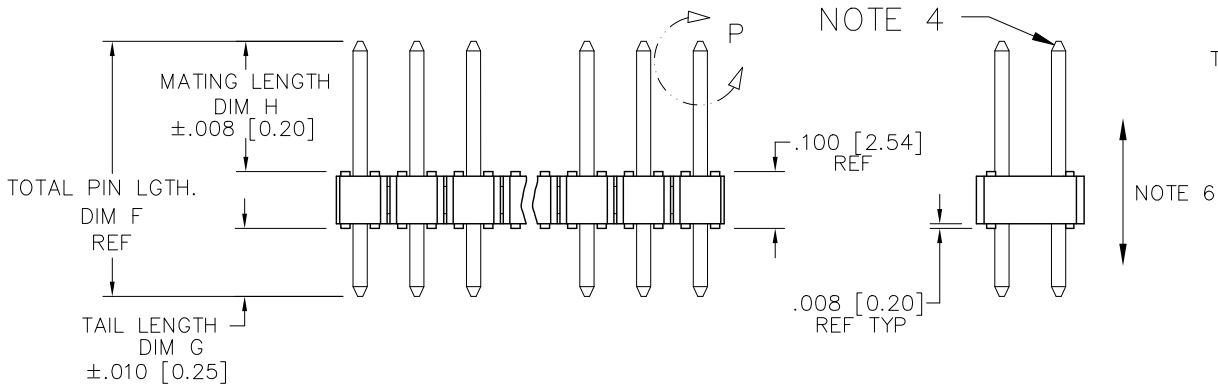
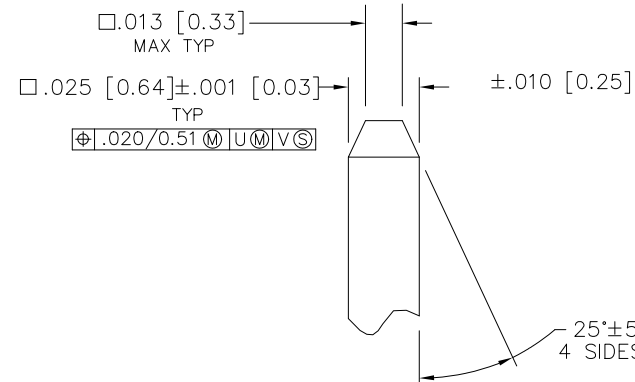
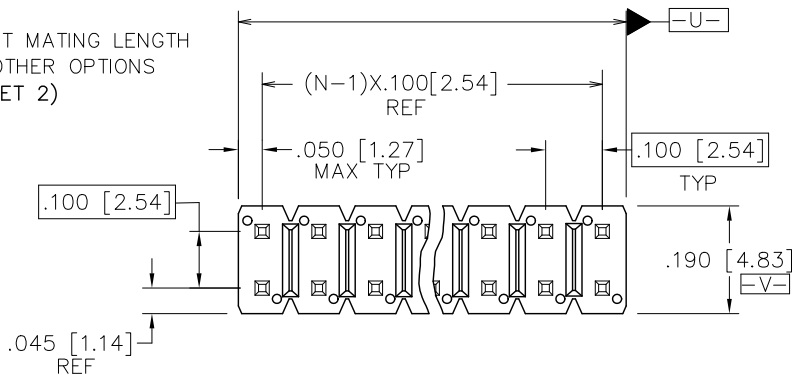
PACKAGING OPTIONS  
(SEE NOTE 3)

INDICATES DIFFERENT MATING LENGTH  
TAIL LENGTH AND OTHER OPTIONS  
(SEE TABLE IN SHEET 2)

NO OF  
POSITIONS  
(SEE NOTE 2)

PIN PLATING  
(SEE SHEET 2)

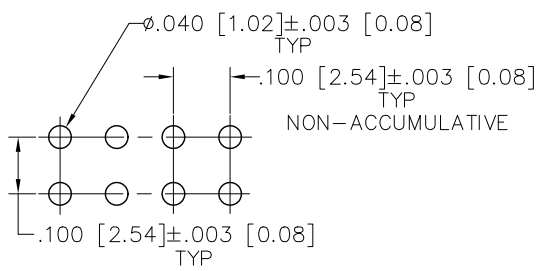
BASE PART NO.



NOTE 4

NOTE 6

DETAIL P  
SCALE 5:1  
TYP BOTH ENDS



RECOMMENDED HOLE PATTERN

mat'l. code		surface		tolerance		projection		product family	
		ISO 1302 ✓		ISO 406 ISO 1101		INCH/mm		ECONOSTIK	
ltr		ecn no		date		tolerances unless otherwise specified		title	
A		NEW		04/23/14		.xx±0.01/0.3		ECONOSTIK HEADER	
B		ELX-N-18529		ZK 08/14/14		.xxx±0.008/.xx±0.20		.100/2.54cc DR STRAIGHT	
C		ELX-N-20259		J.H 02/12/15		.xxxx±0.004/.xxxx±0.10		scale 2:1	
D		ELX-N-42423		MK 21/09/18		dr ZK HU 04/23/14		dwg no sheet 1 of 2 size	
						enr ZK HU 04/23/14		10129381 A4	
						chr RICK BIAN 04/23/14		type Product Customer Drawing	
						appd RICK BIAN 04/23/14			
sheet index		revision sheet		D D					
		1 2							

Amphenol FCI

© 2016 AFCI

PRODUCT NUMBER	TOTAL PIN LENGTH		TAIL LENGTH		MATING LENGTH	
	DIM F	DIM F	DIM G	DIM G	DIM H	DIM H
	ENGLISH	METRIC	ENGLISH	METRIC	ENGLISH	METRIC
10129381-XYY001XXF	0.450	11.43	0.120	3.05	0.230	5.84
10129381-XYY002XXF	0.420	10.67	0.090	2.29	0.230	5.84
10129381-XYY003XXF	0.538	13.67	0.120	3.05	0.318	8.08
10129381-XYY004XXF	0.508	12.91	0.090	2.29	0.318	8.08
10129381-XYY005XXF	0.966	24.54	0.354	9.00	0.512	13.00
10129381-XYY006XXF	0.832	21.14	0.110	2.80	0.622	15.8

PIN PLATING CODES:	
10129381-2YYXXXXXF	15u"/0.38um MIN Au CON CONTACT AREA OVER 50u"/1.27u MIN Ni
10129381-4YYXXXXXF	100u"/2.54um MIN Sn OVER 50u"/1.27u MIN Ni
10129381-9YYXXXXXF	1u"/0.025um MIN Au OVER 50u"/1.27u MIN Ni

NOTES:

- MATERIAL  
BODAY MATERIAL: HIGH TEMPERATURE THERMOPLASTIC.  
FLAME UL94-V0, BLACK.  
PIN MATERIAL: COPPER ALLOY.
- ANY NUMBER OF POSITIONS FROM 4(2X2) TO 72(2X36).  
PRODUCT MAYBE CUTTING TO POSITION,  
THE CUTTING PLASH IS 0.02[0.51] MAX.
- PACKING STYLE DEFINITION.  
B: PACKED WITH POLY BAG  
T: PACKED WITH TUBE  
A: PACKED WITH TAPE AND REEL WITH PICK UP CAP  
C: PACKED WITH TAPE AND REEL WITHOUT PICK UP CAP
- TWO SIDES OF PIN TIPS NOT PLATED, TYPICAL BOTH ENDS.
- 2LBS/0.9KG MIN PIN RETENTION IN EITHER DIRECTION BEFORE REFLOW.
- THE OAL DON'T EXCEED 1 INCH / 25.4MM.
- LF = ADD LF AT THE END OF PART NUMBER IS FOR LEAD FREE.  
HF = ADD HF AT THE END OF PART NUMBER IS FOR HALOGEN FREE.
- THESE PRODUCT MEETS EUROPEAN UNION DIRECTIVES AND OTHER COUNTRY REGULATION AS DESCRIBED IN GS-22-008.
- PRODUCT SPECIFICATION: GS-12-1223.
- THIS PRODUCT WILL WITHSTAND EXPOSURE TO 260°C PEAK TEMPERATURE FOR 20 SECONDS IN WAVE SOLDER, INFRA-RED OR VAPOR PHASE SOLDER PROCESS.

Amphenol FCI

© 2016 AFCI

mat'l. code		surface ISO 1302 <input checked="" type="checkbox"/>		tolerance ISO 406 ISO 1101		projection 		product family ECONOSTIK	
ltr	ecn no	dr	date	tolerances unless otherwise specified		INCH/mm		title	
D				angles	linear	.xx±0.01/0.3		ECONOSTIK HEADER	
						.xxx±0.008/.xx±0.20		.100/2.54cc DR STRAIGHT	
				X*±2*		.xxxx±0.004/.xxxx±0.10		scale 2:1	
				dr	ZK HU	04/23/14		dwg no sheet 2 of 2 size	
				enr	ZK HU	04/23/14		10129381 A4	
				chr	RICK BIAN	04/23/14		type Product Customer Drawing	
				appd	RICK BIAN	04/23/14			
sheet index	revision sheet								

单击下面可查看定价，库存，交付和生命周期等信息

[>>Amphenol\(安费诺\)](#)