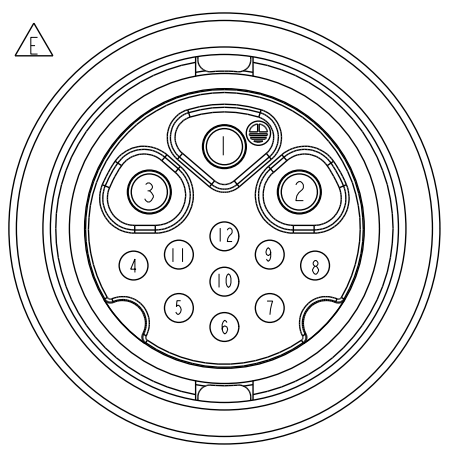
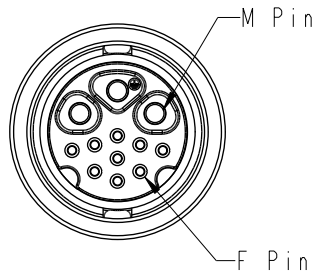
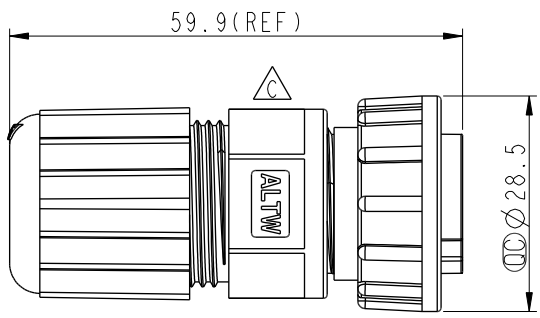
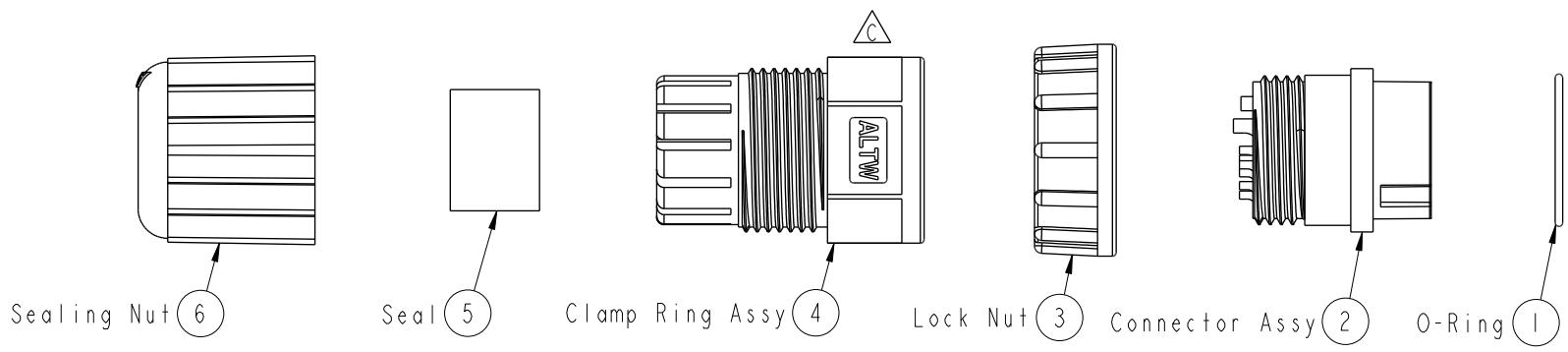


THIS DOCUMENT IS SUBJECT TO CHANGE WITHOUT NOTICE. IT IS CONFIDENTIAL AND A PROPERTY OF AMPHENOL LTW. DISCLOSURE TO THIRD PARTY HAS TO BE AUTHORIZED BY AMPHENOL LTW.

REV.	ECN NO.	DATE	SIGN	DESCRIPTION
D	LEN1680287	2016/08/08	Mafei	Updated The Note O-Ring Color
E	LEN1860123	2018/06/07	Jane	Updated Pin Number
F	C231272	2023/10/03	Vicky	$\triangle F$ X2



- Note:
- * CC Important Dimension To Check.
 - * Waterproof Rate: IP67
 - * Connector: Nylon+GF, Black
 - * Pin: Copper Alloy, Gold Plated
 - $\triangle D$ * O-Ring: EPDM, Black
 - * Lock Nut: Nylon+GF, Black
 - * Clamp Ring: Nylon, Black
 - * Seal: EPDM, Black
 - * Sealing Nut: Nylon, Black
 - $\triangle B$ * Cable OD Max : $\phi 10.0 \sim \phi 12.4$ mm
 - $\triangle F$ * One set unassembled in one pe bag

UNIT: mm		
TOLERANCE		
.X	± 0.25	
.XX	± 0.1	
.XXX	± 0.05	
ANGLES	$\pm 1^\circ$	

TITLE O CERES, D-20A+5A, 12P, CABLE W/O SR F, M PWR+F SIG, FI SOLDER, 2LOCK $\triangle F$			
SCALE	SIZE	SHEET	OF
1:1	A4	1	1
REV.	WC-REV.	CC : Inspection item	
F	B.4		

Amphenol LTW
安費諾亮泰企業股份有限公司

ITEM NO.	DCD-12BFEA-LL7001	DRAWN BY	Jane	DATE	2018/06/07
DWG NO.	DCD-12BFEA-LL7001	CHECKED BY	Neo	DATE	2018/06/07
CUSTOMER	ALTW	APPROVED BY	Max	DATE	2018/06/07

单击下面可查看定价，库存，交付和生命周期等信息

[>>Amphenol\(安费诺\)](#)