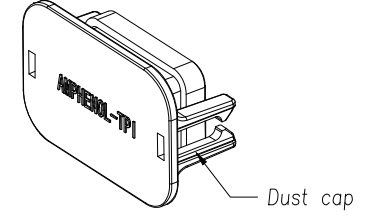
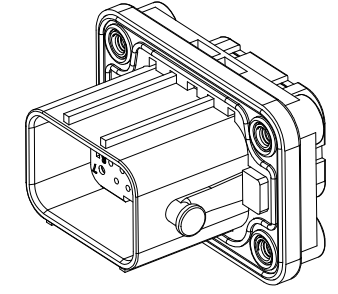
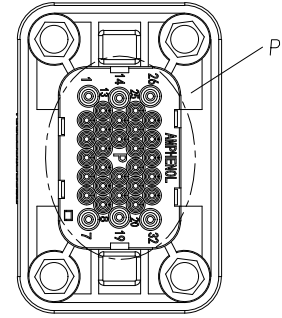
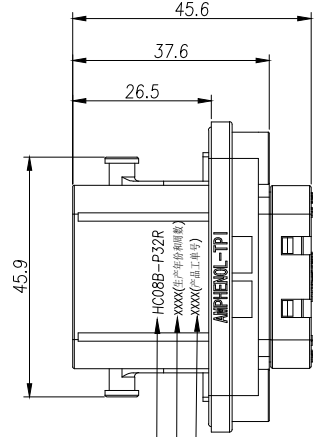
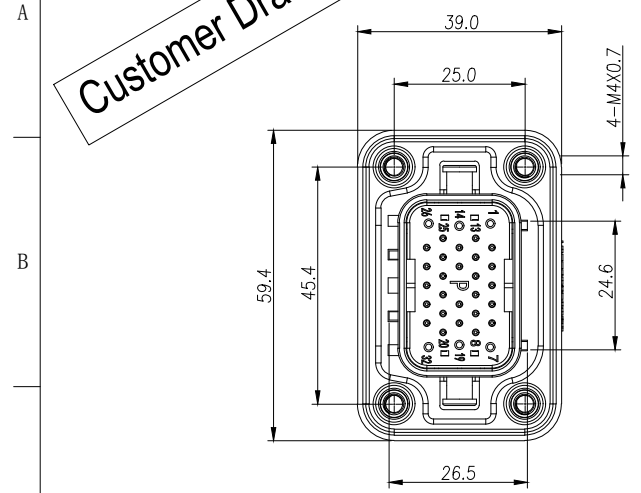


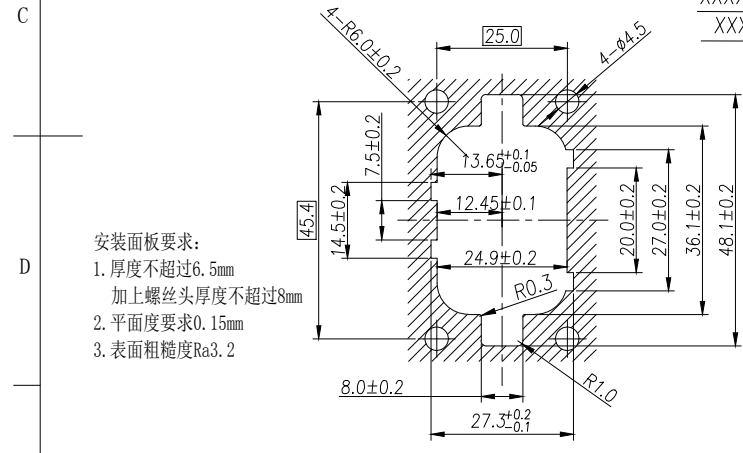
THIS DRAWING IS SUPPLIED FOR INFORMATION ONLY. DESIGN FEATURES, SPECIFICATIONS AND PERFORMANCE DATA SHOWN HEREON ARE THE PROPERTY OF THE AMPHENOL CORPORATION. NO RIGHTS OF REPRODUCTION ARE IMPLIED. ALL DIMENSIONS ARE SUBJECT TO NORMAL MANUFACTURING VARIATIONS.

**Customer Drawing**

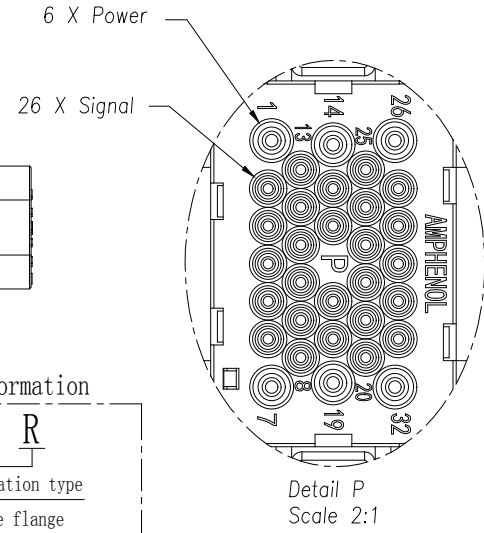
REVISIONS						
REV	ZONE	ECO	DESCRIPTION	DATE	BY	APPR
A	--	--	INITIAL RELEASE	12/01/14	RW	EC
I	--	--	Gasket adds keys	09/04/18	FL	James
J	--	--	update drawing	09/05/18	FL	James
K	--	--	Enhance IP Rating and Flame Class, add new applicable terminals	11/26/18	FL	James
L	--	--	Add plating type information of terminal and attention information	04/29/20	JS	James



激光打标位置及内容如下:  
**HC08B-P32R**  
 XXXX(生产年份和周数)  
 XXXX(产品工单号)



安装面板要求:  
 1. 厚度不超过6.5mm  
 加上螺丝头厚度不超过8mm  
 2. 平面度要求0.15mm  
 3. 表面粗糙度Ra3.2



- 规格参数 (Spec.):
- 工作温度 Operating Temperature: -40° C~+125° C.
  - 额定电流 Current Rating:  
Power: 13 A MAX.  
Signal: 5 A MAX.
  - 配对线径 Cable Size:  
3.1. Power: 14~18 AWG.  
3.2. Signal: 20~22 AWG.
  - 耐压 Dielectric Withstanding Voltage: 3000 VDC.
  - 防护等级 Protection Class: IP68 (接头对接时 Mated connector).
  - 机械寿命 Mating Cycle: 100 Min.
  - 法兰盘螺丝安装扭矩  
Screw Assembly Torque on Flange : 1.6~2.4 Nm
  - 对接插头见图纸 Mating plug see drawing: "HC18B-S32"
  - 防火等级 Flame Class: UL94V-0

订购信息 Ordering Information  
**HC08 B - P32 R**  
 键位 Key "B"  
 安装类型 installation type R, 法兰后 Rear the flange

适用端子型号 Used with terminal NO.						
端子种类 Terminal type	端子料号 Terminal P/N	电镀种类 Plating type	适合电线 Wire range	Wire OD range 电线外径范围	盲堵种类 Seal type	盲堵料号 Seal P/N
16# (Power)	HCTM21401	镍底镀金 Flash Gold	14 AWG	2.24~3.00mm	16# (Power)	AC-CP000383
	HCTM21504	镍底镀锡 Tin Plated	16~18 AWG			
	HCTM21601	镍底镀金 Flash Gold				
20# (Signal)	HCTM12001	镍底镀金 Flash Gold	20~22 AWG	1.35~2.50mm	20# (Signal)	AC-CP000382
	HCTM12104	镍底镀锡 Tin Plated				

注意: 镀金端子不能与镀锡端子互配。  
 Note: The gold-plated terminal cannot be matched with the tin-plated terminal.

	<b>Amphenol Technical Products International GZ</b>						PART NAME: HC 32CKT Rcpt Rear Code B	
	第三角投影 THIRD ANGLE PROJECTION	页面 SHEET: 1 OF 1	幅面 SIZE: A3	版次 REV.: L	比例 SCALE:	DWG NO: HC08B-P32R		
签名 SIGNATURE: JS 制图 DRAWN: JS 审核 CHECKED: YM 批准 APPROVAL: JL		日期 DATE: 04/29/20		UNLESS OTHERWISE SPECIFIED 1) All dimensions are in metric(mm). 2) Tolerances are as follows: 0 PL DEC ±1.00 1 PL DEC ±0.50 2 PL DEC ±0.20			CUST PART #: N/A	

单击下面可查看定价，库存，交付和生命周期等信息

[>>Amphenol\(安费诺\)](#)