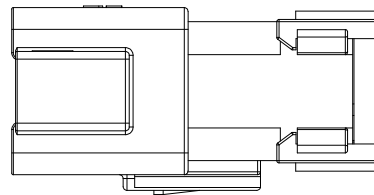


| REVISIONS |     |                            |           |       |       |
|-----------|-----|----------------------------|-----------|-------|-------|
| REV       | ECO | DESCRIPTION                | DATE      | BY    | APPR  |
| B1        | -   | RELEASE DRAWING            | 30JUN2020 | ZENIN | TOMMY |
| B2        | -   | TOTAL LENGTH SHORTEN 1.5mm | 12OCT2020 | ZENIN | TOMMY |



NOTES: UNLESS OTHERWISE SPECIFIED

- MATERIAL:  
HOUSING: THERMOPLASTIC; COLOR: SEE CHART  
END CAP: THERMOPLASTIC; COLOR: BLACK  
STRAIN RELIEF CAP: THERMOPLASTIC; COLOR: BLACK  
SEALS: SILICONE RUBBER; COLOR: RED, RD COLOR: GREEN
- MODIFICATIONS: END CAP, STRAIN RELIEF CAP (OPT),  
REDUCED DIAMETER SEAL, STANDARD DIAMETER SEAL (OPT).
- SPECIFICATIONS:  
3.1 CURRENT RATING: 13 AMPS  
3.2 OPERATING TEMPERATURE: -55°C TO +125°C  
3.3 DIELECTRIC WITHSTANDING VOLTAGE: LESS THAN 2 MILLIAMPS CURRENT LEAKAGE @ 1500 VOLTS AC.  
3.4 INSULATION RESISTANCE: 1000 MEGOHMS MIN @ 25°C.  
3.5 MOISTURE RESISTANCE:  
IP68(1M OF WATER FOR A PERIOD OF 24 HOURS , MATED CONDITION)  
IP69K(MATED CONDITION)  
3.6 MATING CYCLE DURABILITY: 100 CYCLES  
3.7 RoHS COMPLIANT
- MATING PART: AT16-18SX-\* PLUG  
( X = A,B,C,D,E KEYS; \* = MODIFICATIONS AND COLORS )
- ALL DIMENSIONS ARE FOR REFERENCE USE ONLY.

**CONTACT SIZE AND REAR SEAL WIRE RANGE**

**REDUCED DIAMETER SEAL:**

| CONTACT SIZE | MIN. INSUL O.D.   | MAX. INSUL O.D.   | TYPICAL WIRE RANGE |
|--------------|-------------------|-------------------|--------------------|
| 16           | 1.35 mm (.053 in) | 3.05 mm (.120 in) | 14 - 20 AWG        |

**STANDARD SEAL:**

| CONTACT SIZE | MIN. INSUL O.D.   | MAX. INSUL O.D.   | TYPICAL WIRE RANGE |
|--------------|-------------------|-------------------|--------------------|
| 16           | 2.24 mm (.088 in) | 3.68 mm (.145 in) | 14 - 20 AWG        |

|                                      |                |  |  |
|--------------------------------------|----------------|--|--|
| SEE CHART                            |                | 934447111,934447121,934447131,934447141,934447151,934447511,934447521,934447531,934447541,934447551  |  |
| PART NUMBER                          |                | DESCRIPTION  |  |
| QUANTITY                             | MATERIALS LIST |  |  |
| UNLESS OTHERWISE SPECIFIED           |                | SIGNATURES   |  |
| 1) All dimensions are in metric(mm). |                | DATE   |  |
| 2) Tolerances are as follows:        |                | DRAWN: ZENIN,DENG 12OCT20  |  |
| 1 PL DEC ±0.30                       |                | CHECKED: ORIONLI 12OCT20   |  |
| 2 PL DEC ±0.15                       |                | ENGINEER:  |  |
| 3 PL DEC ±0.08                       |                | APPROVAL: TOMMY,XIE 12OCT20  |  |
| 3) Note reference =                  |                | CUSTOMER:  |  |
| MATERIAL SPECIFICATIONS:             |                | THIS DRAWING IS SUPPLIED FOR INFORMATION ONLY. DESIGN FEATURES, SPECIFICATIONS AND PERFORMANCE DATA SHOWN HEREON ARE THE PROPERTY OF THE AMPHENOL CORPORATION. NO RIGHTS OF REPRODUCTION ARE IMPLIED. ALL DIMENSIONS ARE SUBJECT TO NORMAL MANUFACTURING VARIATIONS. |  |
| PROCESS SPECIFICATIONS:              |                | SIZE B C- AT16-18PX-XXXXXX REVISION B2   |  |
| NEXT ASSY:                           |                | SCALE NONE SHEET 1 OF 3  |  |

TITLE: 18 POSITION RECEPTACLE, PIN,AT SERIES

DWG NO: AT16-18PX-XXXXXX

REV: B2

SH: 1

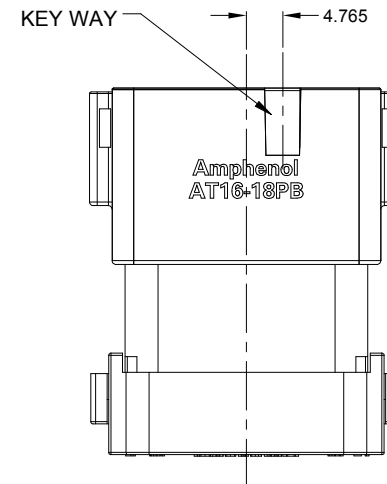
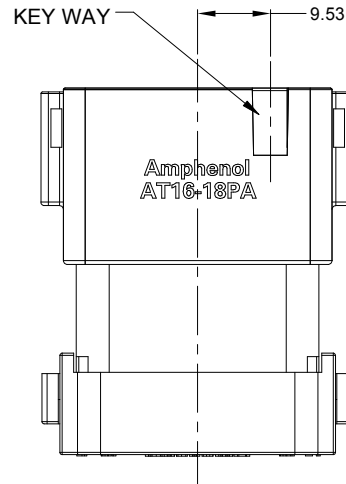
OF: 3



SHOWN WITH  
END CAP



SHOWN WITH  
STRAIN RELIEF



| KEY-A CONFIGURATION |               |       |              |
|---------------------|---------------|-------|--------------|
| PART NUMBER         | STRAIN RELIEF | COLOR | SEAL         |
| AT16-18PA-K004      | NO            | BLACK | REDUCED DIA. |
| AT16-18PA-EK02      | NO            | GRAY  | REDUCED DIA. |
| AT16-18PA-SR02      | YES           | BLACK | REDUCED DIA. |
| AT16-18PA-EKSR02    | YES           | GRAY  | REDUCED DIA. |
| AT16-18PA-K005      | NO            | BLACK | STANDARD     |
| AT16-18PA-EK03      | NO            | GRAY  | STANDARD     |
| AT16-18PA-SR03      | YES           | BLACK | STANDARD     |
| AT16-18PA-EKSR03    | YES           | GRAY  | STANDARD     |

| KEY-B CONFIGURATION |               |       |              |
|---------------------|---------------|-------|--------------|
| PART NUMBER         | STRAIN RELIEF | COLOR | SEAL         |
| AT16-18PB-K004      | NO            | BLACK | REDUCED DIA. |
| AT16-18PB-SR02      | YES           | BLACK | REDUCED DIA. |
| AT16-18PB-K005      | NO            | BLACK | STANDARD     |
| AT16-18PB-SR03      | YES           | BLACK | STANDARD     |

| REVISIONS |     |                            |           |       |       |
|-----------|-----|----------------------------|-----------|-------|-------|
| REV       | ECO | DESCRIPTION                | DATE      | BY    | APPR  |
| B1        | -   | RELEASE DRAWING            | 30JUN2020 | ZENIN | TOMMY |
| B2        | -   | TOTAL LENGTH SHORTEN 1.5mm | 12OCT2020 | ZENIN | TOMMY |

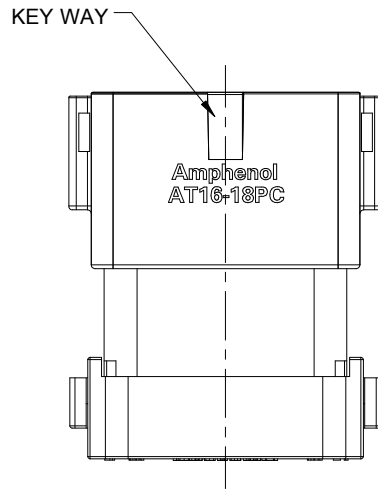
| SEE CHART   |             | DESCRIPTION  |  | ITEM                         |
|---|-------------|--|--|------------------------------|
| QUANTITY  | PART NUMBER | MATERIALS LIST   |  |                              |
| <b>UNLESS OTHERWISE SPECIFIED</b><br>1) All dimensions are in metric (mm).<br>2) Tolerances are as follows:<br>1 PL DEC ±0.30 Fractions ±1/64<br>2 PL DEC ±0.15 Angles ±1°<br>3 PL DEC ±0.08<br>3) Note reference = |             |  |  |                              |
| SIGNATURES  |             | DATE   |  |                              |
| DRAWN: ZENIN DENG   |             | 12OCT20  |  |                              |
| CHECKED: ORION LI   |             | 12OCT20  |  |                              |
| ENGINEER:   |             |  |  |                              |
| APPROVAL: TOMMY XIE   |             | 12OCT20  |  |                              |
| MATERIAL SPECIFICATIONS:  |             | CUSTOMER:  |  |                              |
| PROCESS SPECIFICATIONS:   |             | THIS DRAWING IS SUPPLIED FOR INFORMATION ONLY. DESIGN FEATURES, SPECIFICATIONS AND PERFORMANCE DATA SHOWN HEREON ARE THE PROPERTY OF THE AMPHENOL CORPORATION. NO RIGHTS OF REPRODUCTION ARE IMPLIED. ALL DIMENSIONS ARE SUBJECT TO NORMAL MANUFACTURING VARIATIONS. |  |                              |
| NEXT ASSY:  |             | SCALE: NONE  |  |                              |
|   |             | SIZE: B C- AT16-18PX-XXXXXX<br>SCALE: NONE   |  | REVISION: B2<br>SHEET 2 OF 3 |

**SINE Systems Corporation**  
 A Subsidiary of Amphenol Corporation  
 44724 Morley Drive  
 Clinton Township, MI 48036

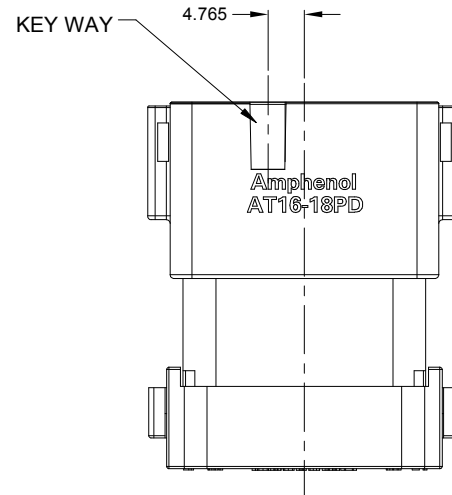
18 POSITION RECEPTACLE, PIN, AT SERIES

TITLE: 18 POSITION RECEPTACLE, PIN, AT SERIES  
 DWG NO.: AT16-18PX-XXXXXX  
 REV: B2  
 SH: 2  
 OF: 3

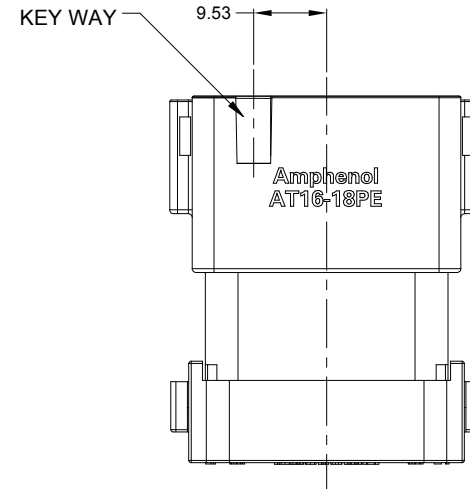
| REVISIONS |     |                            |           |       |       |
|-----------|-----|----------------------------|-----------|-------|-------|
| REV       | ECO | DESCRIPTION                | DATE      | BY    | APPR  |
| B1        | -   | RELEASE DRAWING            | 30JUN2020 | ZENIN | TOMMY |
| B2        | -   | TOTAL LENGTH SHORTEN 1.5mm | 12OCT2020 | ZENIN | TOMMY |



| KEY-C CONFIGURATION |               |       |              |
|---------------------|---------------|-------|--------------|
| PART NUMBER         | STRAIN RELIEF | COLOR | SEAL         |
| AT16-18PC-K004      | NO            | BLACK | REDUCED DIA. |
| AT16-18PC-EK02      | NO            | GREEN | REDUCED DIA. |
| AT16-18PC-SR02      | YES           | BLACK | REDUCED DIA. |
| AT16-18PC-EKSR02    | YES           | GREEN | REDUCED DIA. |
| AT16-18PC-K005      | NO            | BLACK | STANDARD     |
| AT16-18PC-EK03      | NO            | GREEN | STANDARD     |
| AT16-18PC-SR03      | YES           | BLACK | STANDARD     |
| AT16-18PC-EKSR03    | YES           | GREEN | STANDARD     |



| KEY-D CONFIGURATION |               |       |              |
|---------------------|---------------|-------|--------------|
| PART NUMBER         | STRAIN RELIEF | COLOR | SEAL         |
| AT16-18PD-K004      | NO            | BLACK | REDUCED DIA. |
| AT16-18PD-EK02      | NO            | BROWN | REDUCED DIA. |
| AT16-18PD-SR02      | YES           | BLACK | REDUCED DIA. |
| AT16-18PD-EKSR02    | YES           | BROWN | REDUCED DIA. |
| AT16-18PD-K005      | NO            | BLACK | STANDARD     |
| AT16-18PD-EK03      | NO            | BROWN | STANDARD     |
| AT16-18PD-SR03      | YES           | BLACK | STANDARD     |
| AT16-18PD-EKSR03    | YES           | BROWN | STANDARD     |



| KEY-E CONFIGURATION |               |       |              |
|---------------------|---------------|-------|--------------|
| PART NUMBER         | STRAIN RELIEF | COLOR | SEAL         |
| AT16-18PE-K004      | NO            | BLACK | REDUCED DIA. |
| AT16-18PE-EK02      | NO            | GRAY  | REDUCED DIA. |
| AT16-18PE-SR02      | YES           | BLACK | REDUCED DIA. |
| AT16-18PE-EKSR02    | YES           | GRAY  | REDUCED DIA. |
| AT16-18PE-K005      | NO            | BLACK | STANDARD     |
| AT16-18PE-EK03      | NO            | GRAY  | STANDARD     |
| AT16-18PE-SR03      | YES           | BLACK | STANDARD     |
| AT16-18PE-EKSR03    | YES           | GRAY  | STANDARD     |

| SEE CHART   |             | DESCRIPTION  |  | ITEM  |
|---|-------------|--|--|---|
| QUANTITY  | PART NUMBER |  |  |   |
| <b>MATERIALS LIST</b>   |             |  |  |   |
| <b>UNLESS OTHERWISE SPECIFIED</b><br>1) All dimensions are in metric(mm).<br>2) Tolerances are as follows:<br>1 PL DEC ±0.30<br>2 PL DEC ±0.15<br>3 PL DEC ±0.08<br>3) Note reference = |             | <b>SIGNATURES</b> <b>DATE</b><br>DRAWN: ZENIN,DENG      12OCT20<br>CHECKED: ORIONLI      12OCT20<br>ENGINEER:<br>APPROVAL: TOMMY,XIE      12OCT20<br>CUSTOMER:   |  | <b>SINE Systems Corporation</b><br>A Subsidiary of Amphenol Corporation<br>44724 Morley Drive<br>Clinton Township, MI 48036 |
| MATERIAL SPECIFICATIONS:  |             | 18 POSITION RECEPTACLE, PIN,AT SERIES  |  |   |
| PROCESS SPECIFICATIONS:   |             | THIS DRAWING IS SUPPLIED FOR INFORMATION ONLY. DESIGN FEATURES, SPECIFICATIONS AND PERFORMANCE DATA SHOWN HEREON ARE THE PROPERTY OF THE AMPHENOL CORPORATION. NO RIGHTS OF REPRODUCTION ARE IMPLIED. ALL DIMENSIONS ARE SUBJECT TO NORMAL MANUFACTURING VARIATIONS. |  | SIZE: <b>B C-</b> FSCM NO.      DWG NO.      REVISION: <b>B2</b><br>SCALE: NONE      SHEET 3 OF 3                           |
| NEXT ASSY:  |             |  |  |   |

TITLE: 18 POSITION RECEPTACLE, PIN,AT SERIES  
 DWG NO.: AT16-18PX-XXXXXX  
 REV: B2  
 SH: 3  
 OF: 3

# AT Series™ - Contact Size 16 Options



| Machined Contacts, Sockets & Pins |  |      |       |          |
|-----------------------------------|--|------|-------|----------|
| Part Number                       | Description                            | Size | AWG   | Type     |
| AT60-215-1631                     | Male Contact - Pin, Gold-plated        | 16   | 14    | Machined |
| AT62-209-1631                     | Female Contact - Socket, Gold-plated   | 16   | 14    | Machined |
| AT60-215-16141                    | Male Contact - Pin, Nickel-plated      | 16   | 14    | Machined |
| AT62-209-16141                    | Female Contact - Socket, Nickel-plated | 16   | 14    | Machined |
| AT60-202-1631                     | Male Contact - Pin, Gold-plated        | 16   | 16-20 | Machined |
| AT62-201-1631                     | Female Contact - Socket, Gold-plated   | 16   | 16-20 | Machined |
| AT60-202-16141                    | Male Contact - Pin, Nickel-plated      | 16   | 16-20 | Machined |
| AT62-201-16141                    | Female Contact - Socket, Nickel-plated | 16   | 16-20 | Machined |
| AT60-202-1631-22                  | Male Contact - Pin, Gold-plated        | 16   | 22-24 | Machined |
| AT62-201-1631-22                  | Female Contact - Socket, Gold-plated   | 16   | 22-24 | Machined |
| AT60-202-16141-22                 | Male Contact - Pin, Nickel-plated      | 16   | 22-24 | Machined |
| AT62-201-16141-22                 | Female Contact - Socket, Nickel-plated | 16   | 22-24 | Machined |

| Tooling - Machined Contacts   |             |   |
|---|-------------|---|
| Part  | Part Number | Description   |
|  | CA-5D12     | Universal Hand Crimp Tool, Size 12/16/20 (Machined contacts only) |
|  | CA-5E12     | Pneumatic Crimp Tool, Size 12/16/20 (Machined contacts only)      |

| Contact Removal Tools   |               |   |
|---|---------------|---|
| Part  | Part Number   | Description   |
|   | ATRT-100      | Used for removal of contacts for A Series™ products |
|  | AT11-310-1605 | Contact Removal Tool, Plastic, Size 16              |

| Sealing Plugs   |                  |   |
|---|------------------|---|
| Part  | Part Number      | Description                                     |
|  | A114017          | Sealing Plug, Size 16, White                    |
|  | A114017-SR       | Sealing Plug, Size 16, SR01 Series, Black       |
|  | AT13-217-1605    | Locking Sealing Plug, Size 16, Grey             |
|  | AT13-217-1605-SR | Locking Sealing Plug, Size 16, SR01 Series, Red |

| Stamped & Formed Contacts, Sockets & Pins |  |      |       |                  |
|---|--|------|-------|------------------|
| Part Number                               | Description                            | Size | AWG   | Type             |
| AT60-14-0144                              | Male Contact - Pin, Gold-plated        | 16   | 14-16 | Stamped & Formed |
| AT62-14-0144                              | Female Contact - Socket, Gold-plated   | 16   | 14-16 | Stamped & Formed |
| AT60-14-0122                              | Male Contact - Pin, Nickel-plated      | 16   | 14-16 | Stamped & Formed |
| AT62-14-0122                              | Female Contact - Socket, Nickel-plated | 16   | 14-16 | Stamped & Formed |
| AT60-16-0144                              | Male Contact - Pin, Gold-plated        | 16   | 16-18 | Stamped & Formed |
| AT62-16-0144                              | Female Contact - Socket, Gold-plated   | 16   | 16-18 | Stamped & Formed |
| AT60-16-0122                              | Male Contact - Pin, Nickel-plated      | 16   | 16-18 | Stamped & Formed |
| AT62-16-0122                              | Female Contact - Socket, Nickel-plated | 16   | 16-18 | Stamped & Formed |
| AT60-16-0644                              | Male Contact - Pin, Gold-plated        | 16   | 18-20 | Stamped & Formed |
| AT62-16-0644                              | Female Contact - Socket, Gold-plated   | 16   | 18-20 | Stamped & Formed |
| AT60-16-0622                              | Male Contact - Pin, Nickel-plated      | 16   | 18-20 | Stamped & Formed |
| AT62-16-0622                              | Female Contact - Socket, Nickel-plated | 16   | 18-20 | Stamped & Formed |
| AT60-16-0844                              | Male Contact - Pin, Gold-plated        | 16   | 20-22 | Stamped & Formed |
| AT62-16-0844                              | Female Contact - Socket, Gold-plated   | 16   | 20-22 | Stamped & Formed |
| AT60-16-0822                              | Male Contact - Pin, Nickel-plated      | 16   | 20-22 | Stamped & Formed |
| AT62-16-0822                              | Female Contact - Socket, Nickel-plated | 16   | 20-22 | Stamped & Formed |

| Tooling - Stamped & Formed Contacts  |             |   |
|--|-------------|---|
| Part   | Part Number | Description   |
|   | MFX-3950    | Crimp Die - Size 16, 18-20AWG (S&F contacts only)       |
|  | MFX-3953    | Crimp Die - Size 16, 16-18AWG (S&F contacts only)       |
|  | MFX-3975    | Crimp Die - Size 16, 14-16AWG (S&F contacts only)       |
|  | MFX-3990    | Crimp Die - Size 16, 20-22AWG (S&F contacts only)       |
|  | ATT-16-00   | Hand Crimp Tool - Size 16, 14-16AWG (S&F contacts only) |
|  | ATT-16-01   | Hand Crimp Tool - Size 16, 18-20AWG (S&F contacts only) |
|  | ATT-1612-03 | Hand Crimp Tool - Size 16, 20-22AWG (S&F contacts only) |

单击下面可查看定价，库存，交付和生命周期等信息

[>>Amphenol\(安费诺\)](#)