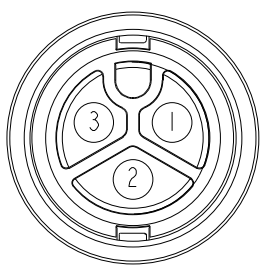
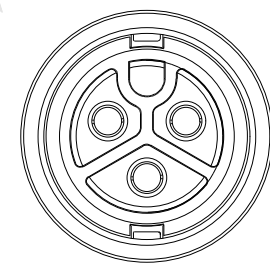
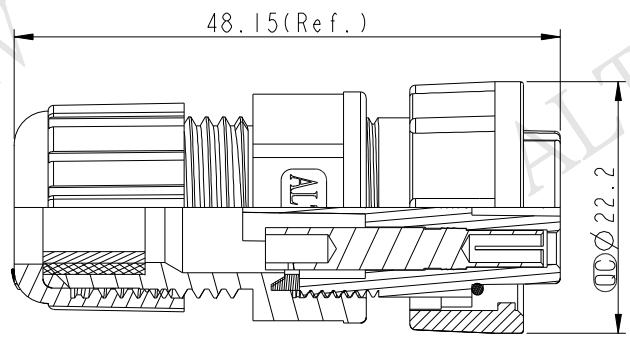
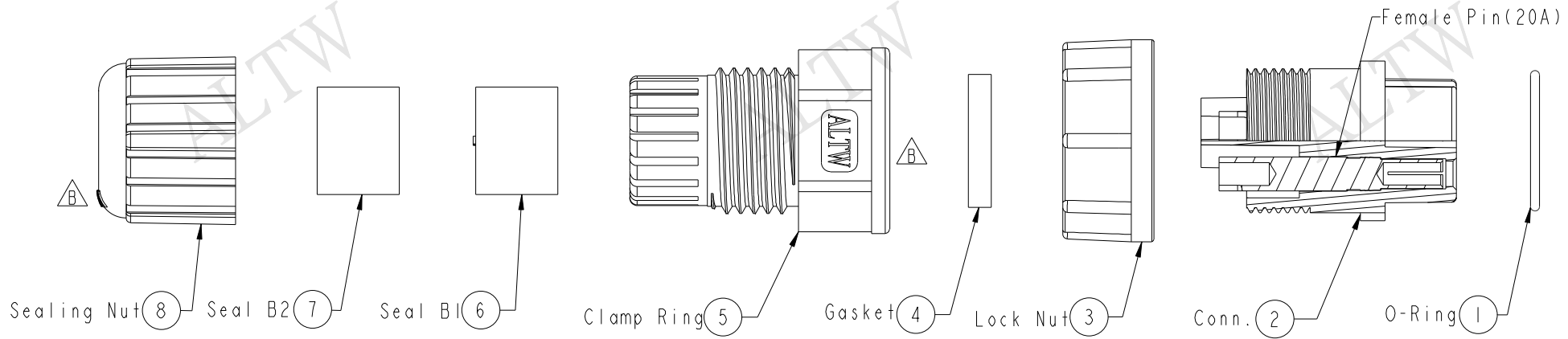


REV.	ECN NO.	DATE	SIGN	DESCRIPTION
A	Initial Release	2010/08/10	Aric	Change Rev.01 To Rev.A
B	LEN1490384	2014/09/20	Lu Di	Update Logo



Pin Assignments
Front View

ALTW
CONFIDENTIAL
2014-09-20
R&D DEPT.

ALTW
DCC. DEPT.
CONFIDENTIAL
2014.09.24
ISSUED

- Notes:
- * (CC) Important Dimensions To Check.
 - * Housing: Nylon+GF, Black.
 - * Female Pin: Copper Alloy, Gold Plated.
 - * O-Ring: Silicone, Gray.
 - * Lock Nut: Nylon+GF, Black.
 - * Gasket: Silicone, Gray.
 - * Clamp Ring: Nylon, Black.
 - * Sealing Nut: Nylon, Black.
 - * Seal B1 For Cable OD: $\varnothing 7.6\text{mm} \sim 9.6\text{mm}$
 - * Seal B2 For Cable OD: $\varnothing 4.0\text{mm} \sim 7.6\text{mm}$
 - * One Set Unassembled In One PE Bag.
 - * UL94V-0 rated materials.

UNIT:mm TOLERANCE .X ± 0.25 .XX ± 0.1 .XXX ± 0.05 ANGLES $\pm 1^\circ$	TITLE Power, Assy Lock 3Pins F Conn. F Pin 20Amps			ITEM NO PWC-03BFFA-LL7002		DRAWN BY Lu Di		DATE 2014/09/20		
	SCALE 3:2		SIZE A4		SHEET 1 OF 1		CHECKED BY Mafei		DATE 2014/09/20	
	REV. B		WC-REV. A.3		(CC): Inspection item		APPROVED BY Jerry		DATE 2014/09/20	
	Amphenol LTW 安費諾亮泰企業股份有限公司				CUSTOMER ALTW		DATE 2014/09/20			

THIS DOCUMENT IS SUBJECT TO CHANGE WITHOUT NOTICE. IT IS CONFIDENTIAL AND A PROPERTY OF AMPHENOL LTW. DISCLOSURE TO THIRD PARTY HAS TO BE AUTHORIZED BY AMPHENOL LTW.

单击下面可查看定价，库存，交付和生命周期等信息

[>>Amphenol\(安费诺\)](#)