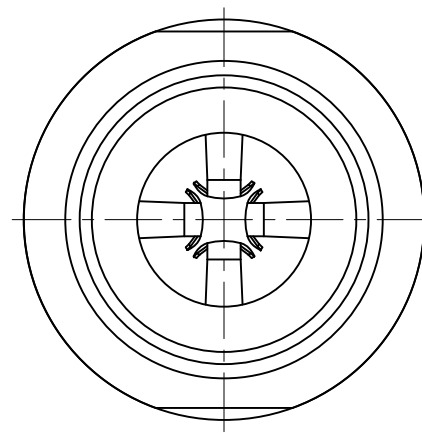
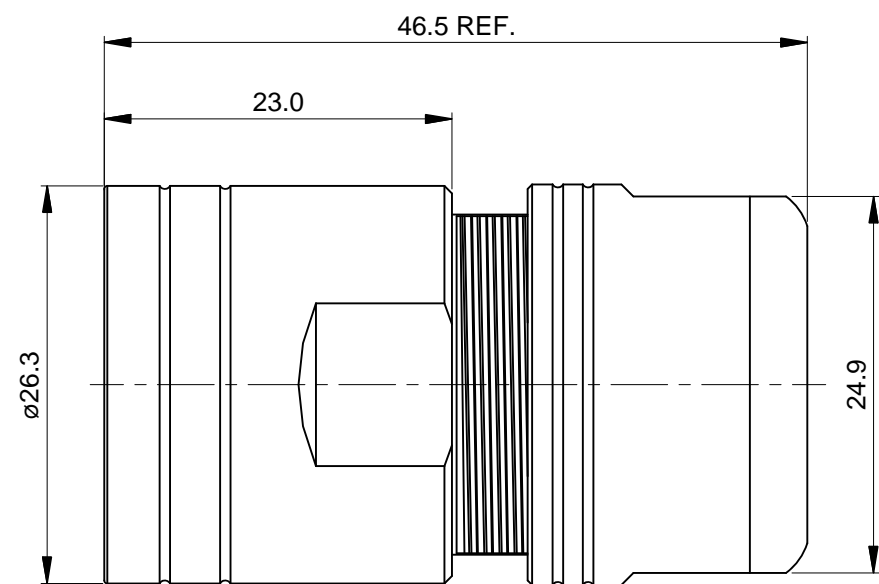


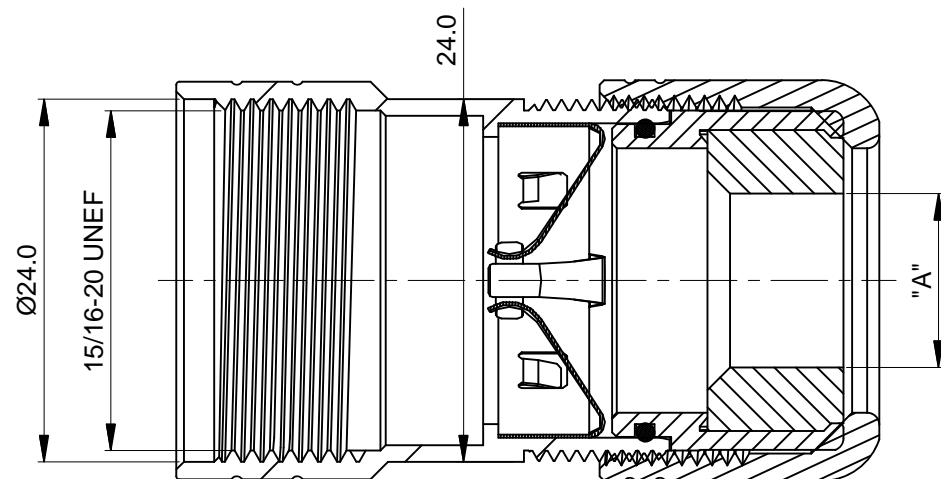
REVISIONS					
REV	ECO	DESCRIPTION	DATE	BY	APPR
B1	-	RELEASE NEW DWG FORMAT	May.10,2014	DRACK	



NOTES: UNLESS OTHERWISE SPECIFIED

- MATERIAL:  
EMI SHIELDING RING: STAINLESS STEEL  
SEAL: EPDM  
HOUSING BODY: ZINC DIE CAST, NICKEL PLATED
- SPECIFICATIONS:  
2.1 DEGREE OF PROTECTION: IP67 ( MATED CONDITION )  
2.2 RoHS COMPLIANT
- ALL DIMENSIONS ARE FOR REFERENCE USE ONLY.

		Cable OD Range
1	MB3CG-S1	7.5~11.0 mm
2	MB3CG-S2	11.0~14.5 mm
3	MB3CG-S3	14.5~17.0 mm



QUANTITY	SEE PART NUMBER CHART PART NUMBER	DESCRIPTION	ITEM
<b>MATERIALS LIST</b>			
UNLESS OTHERWISE SPECIFIED 1) All dimensions are in metric(mm). 2) Tolerances are as follows: 1 PL DEC ±0.30 2 PL DEC ±0.15 3 PL DEC ±0.08 Fractions ±1/64 Angles ±1° 3) Note reference =		SIGNATURES DRAWN: Drack CHECKED: ENGINEER: APPROVAL:	DATE May.10,2014
MATERIAL SPECIFICATIONS:		<b>Amphenol</b> Sine Systems - www.amphenol-sine.com 44724 Morley Drive Clinton Township, MI 48036	
PROCESS SPECIFICATIONS:		<b>M23B,CORD GRIP</b>	
NEXT ASSY:		THIS DRAWING IS SUPPLIED FOR INFORMATION ONLY. DESIGN FEATURES, SPECIFICATIONS AND PERFORMANCE DATA SHOWN HEREON ARE THE PROPERTY OF THE AMPHENOL CORPORATION. NO RIGHTS OF REPRODUCTION ARE IMPLIED. ALL DIMENSIONS ARE SUBJECT TO NORMAL MANUFACTURING VARIATIONS.	
		SIZE <b>B C-</b>	DWG NO. <b>MB3CG-Sx</b>
		SCALE <b>NONE</b>	REVISION <b>B1</b>
		SHEET 1 OF 1	

TITLE: M23B,CORD GRIP  
DWG NO: MB3CG-Sx  
REV: B1  
SH: 1  
OF: 1

单击下面可查看定价，库存，交付和生命周期等信息

[>>Amphenol\(安费诺\)](#)