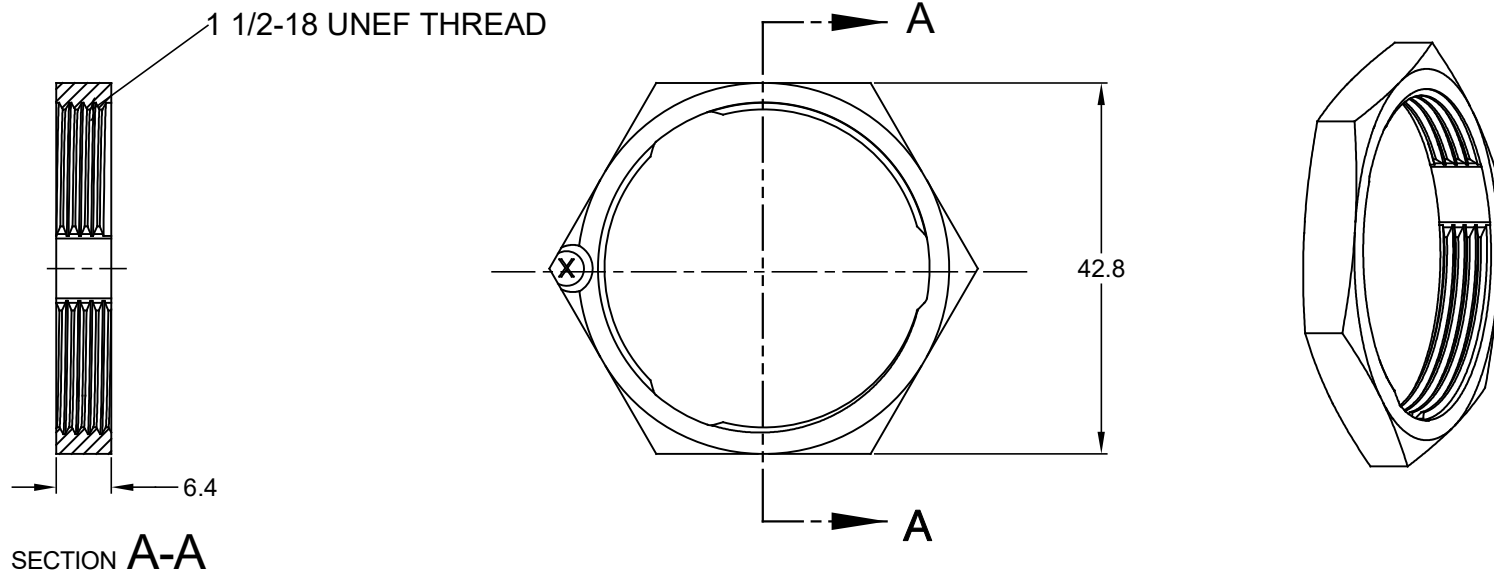


REVISIONS					
REV	ECO	DESCRIPTION	DATE	BY	APPR
A1		RELEASE NEW PRODUCT	09MAR17	ORION	TOMMY



NOTES: UNLESS OTHERWISE SPECIFIED

1. MATERIAL: THERMOPLASTIC
2. COLORS: BLACK
3. RoHS COMPLIANT
4. USE WITH AHDP SERIES SIZE 18 RECEPTACLE, MOUNTING TORQUE IS 5.1~6.1 N.M
5. ALL DIMENSIONS ARE FOR REFERENCE USE ONLY.

AHDP18-PN01		DESCRIPTION		ITEM
PART NUMBER		DESCRIPTION		ITEM
QUANTITY	MATERIALS LIST			
<p>UNLESS OTHERWISE SPECIFIED</p> <p>1) All dimensions are in metric(mm).</p> <p>2) Tolerances are as follows:</p> <p>1 PL DEC ±0.30</p> <p>2 PL DEC ±0.15</p> <p>3 PL DEC ±0.08</p> <p>3) Note reference = </p>		<p>SIGNATURES</p> <p>DRAWN: ORION.LI</p> <p>CHECKED:</p> <p>ENGINEER:</p> <p>APPROVAL: TOMMY.XIE</p> <p>CUSTOMER:</p>		<p>DATE</p> <p>09MAR17</p> <p>09MAR17</p>
MATERIAL SPECIFICATIONS:		<p>THIS DRAWING IS SUPPLIED FOR INFORMATION ONLY. DESIGN FEATURES, SPECIFICATIONS AND PERFORMANCE DATA SHOWN HEREON ARE THE PROPERTY OF THE AMPHENOL CORPORATION. NO RIGHTS OF REPRODUCTION ARE IMPLIED. ALL DIMENSIONS ARE SUBJECT TO NORMAL MANUFACTURING VARIATIONS.</p>		<p><b>Amphenol</b></p> <p>Sine Systems - www.amphenol-sine.com</p> <p>44724 Morley Drive</p> <p>Clinton Township, MI 48036</p>
PROCESS SPECIFICATIONS:		<p>SIZE: A C-</p> <p>TYPE: NONE</p>		<p>NUT, DURAMATE AHDP SERIES, SIZE 18</p>
NEXT ASSY:		<p>DWG NO: AHDP18-PN01</p> <p>REVISION: A1</p>		<p>SHEET 1 OF 1</p>

单击下面可查看定价，库存，交付和生命周期等信息

[>>Amphenol\(安费诺\)](#)