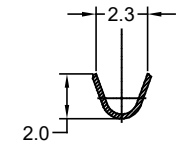
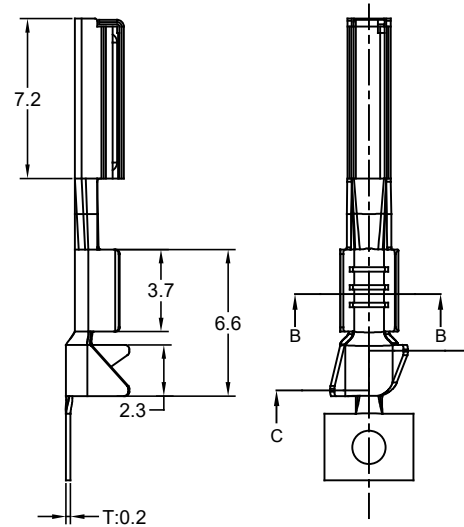
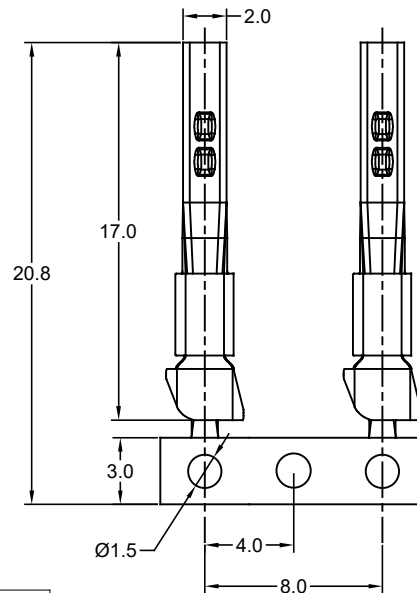
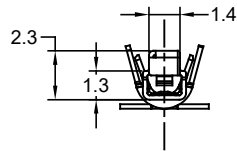
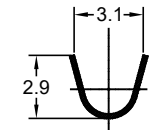


CONTACT ORIENTATION ON ROLL
(4000PCS/COIL)



SECTION B-B



SECTION C-C

REVISIONS					
REV	ECO	DESCRIPTION	DATE	BY	APPR
A1	-	RELEASED DRAWING	May-15-2019	Flan	Tommy
A2	-	UPDATE DRAWING	Aug-9-2019	Flan	Tommy
A3	-	UPDATE DRAWING	Jun-29-2020	Ronald	Tommy

NOTES: (UNLESS OTHERWISE SPECIFIED)

1. MATERIAL:
 - 1.1. CONTACT: COPPER ALLOY.
2. SPECIFICATIONS:
 - 2.1 CURRENT RATING: 5A MAX.
 - 2.2 TERMINATION TYPE: CRIMPING.
 - 2.3 WIRE RANGE: 20~22AWG.
 - 2.4 WIRE INSULATION DIA (MAX): Ø1.8mm.
3. RoHS COMPLIANT.
4. ALL DIMENSIONS ARE FOR REFERENCE USE ONLY.

P/N	CONTACT PLATING (* MATING AREA ONLY)
SC000572T	TIN PLATING OVER NICKEL.
SC000572N	NICKEL PLATING OVER COPPER.
SC000572F	GOLD FLASH PLATING OVER NICKEL.
SC000572G5	* 5µ"GOLD PLATING OVER NICKEL.
SC000572G10	* 10µ"GOLD PLATING OVER NICKEL.
SC000572G15	* 15µ"GOLD PLATING OVER NICKEL.
SC000572G30	* 30µ"GOLD PLATING OVER NICKEL.

QUANTITY	PART NUMBER	DESCRIPTION	ITEM
MATERIALS LIST			
<small>UNLESS OTHERWISE SPECIFIED</small> 1) All dimensions are in metric(mm). 2) Tolerances are as follows: 1 PL DEC ±0.30 Fractions ±1/64 2 PL DEC ±0.15 Angles ±1° 3 PL DEC ±0.08 3) Note reference =			
SIGNATURES		DATE	<div style="text-align: center;"> <h1>Amphenol</h1> <p>Sine Systems - www.amphenol-sine.com 44724 Morley Drive Clinton Township, MI 48036</p> </div>
DRAWN: Ronald		Jun-29-2020	
CHECKED: Flan		Jun-30-2020	
APPROVAL: Tommy		Jun-30-2020	
DURALOK ATV, SOCKET CONTACT STAMPED, 20-22AWG			
SIZE	TYPE	DWG NO:	REVISION
B	C-	SC000572x	A3
SCALE:	NONE	SHEET	1 OF 1

TITLE: DURALOK ATV, SOCKET CONTACT, STAMPED, 20-22AWG DWG NO: SC000572x REV: A3 SH: 1 OF: 1

单击下面可查看定价，库存，交付和生命周期等信息

[>>Amphenol\(安费诺\)](#)