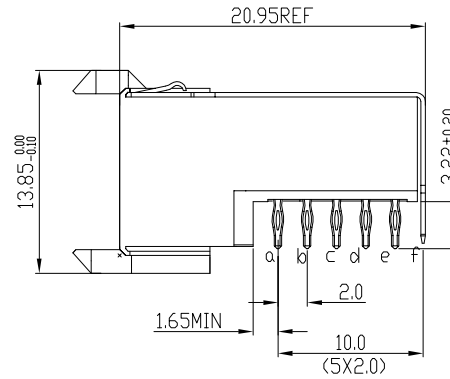
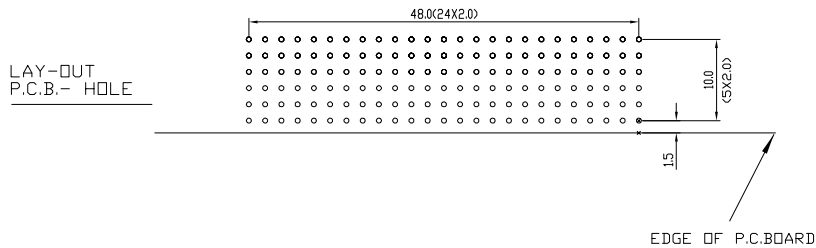
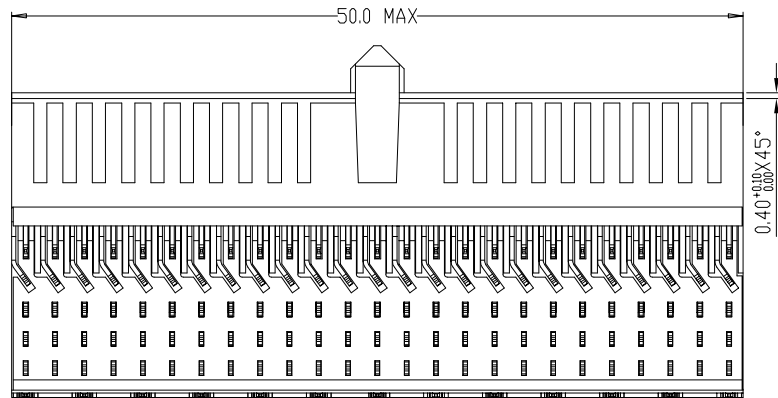
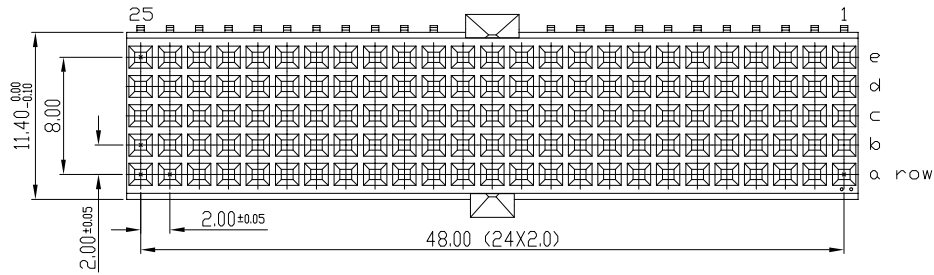


Tous droits strictement reserves. Reproduction ou communication a des tiers interdite sous quelque forme que ce soit sans autorisation ecrite du propriétaire. Propriete de c FCI. Droits de reproduction FCI.



All rights strictly reserved. Reproduction or issue to third parties in any form whatever is not permitted without written authority from the proprietor. Property of FCI. Copyright FCI.



PERFORMANCE CHARACTERISTICS

CURRENT RATING: 1.5 A AT 20°C (FULLY LOADED)
 1 A AT 70°C (FULLY LOADED)
 RATED VOLTAGE: 500 V AC (CONT /CONT)
 OPERATING TEMPERATURE : -55°C TO 125°C
 CONTACT RESISTANCE : 20 mΩ MAX
 INSERTION FORCE: 0.75N MAX/CONT
 EXTRACTION FORCE : 0.15N MIN /CONT
 INSULATION RESISTANCE: 10⁴ MΩ MIN

NOTES

- LEAD FREE INDICATOR :LF=LEAD FREE
- PERFORMANCE LEVEL INDICATOR (REF DWG NO.BS.C.201844.003)
- THIS PRODUCT IS CSA APPROVED. THIS PRODUCT IS UL RECOGNIZED.
- FOR RECOMMENDED PTH DIMENSIONS REFER DRAWING :BS.A.201572.001
- THIS PRODUCT (LF) MEETS EUROPEAN UNION DIRECTIVES AND OTHER COUNTRY REGULATIONS AS DESCRIBED IN GS-22-008

rev	ecn no	dr	date
A	conversion version 13	KN	14-09-01
B	EC 10088	MF	20-11-01
C	105-00858	MINI	06-06-05
D	DG05-0278	Kason	02-08-05
E	DG07-0141	Kason	04-09-07
F	DG07-0362	Kason	05-09-07
G	DG10-0110	NZ	10-13-10

Material		Spec ref	
Mat code		tolerance 1DEC+02 1DEC 2DEC + 01 2DEC ANGLES+1* HDEREN	projection MM
Heat treat			
Plating/Finish		size A4	Scale 1.500
Dr	M.Fret		
Eng		Product family MILLIPICS	
Chr		Model Name	
Appr		Model Revision	
		REL Level	
		dwg no	BS,C ,201444,049
title		MPACS 5+2R RA RCP CONN TYPE AB	
Pro/E file	catalog no	HM2R65PA5108----	CUSTOMER
		Rev.	G
		sheet 1 of 1	

单击下面可查看定价，库存，交付和生命周期等信息

[>>Amphenol\(安费诺\)](#)