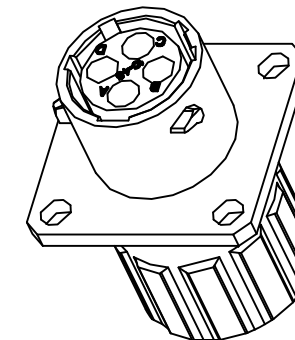
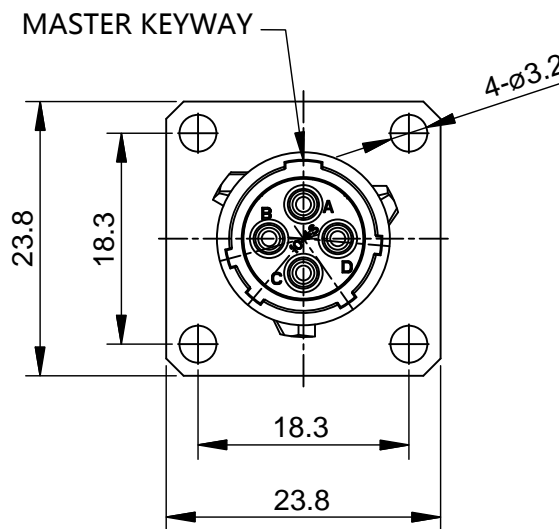
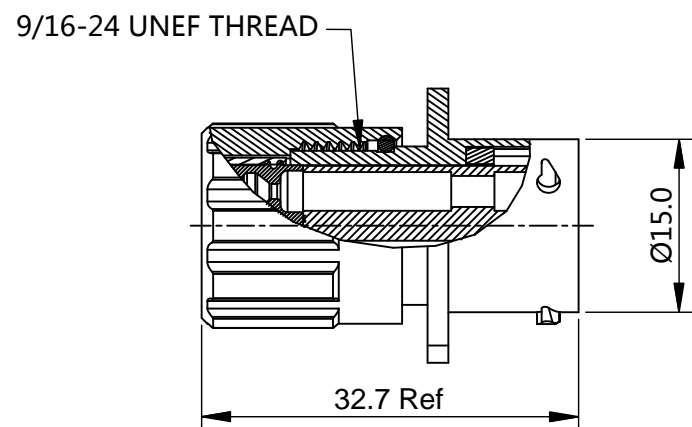


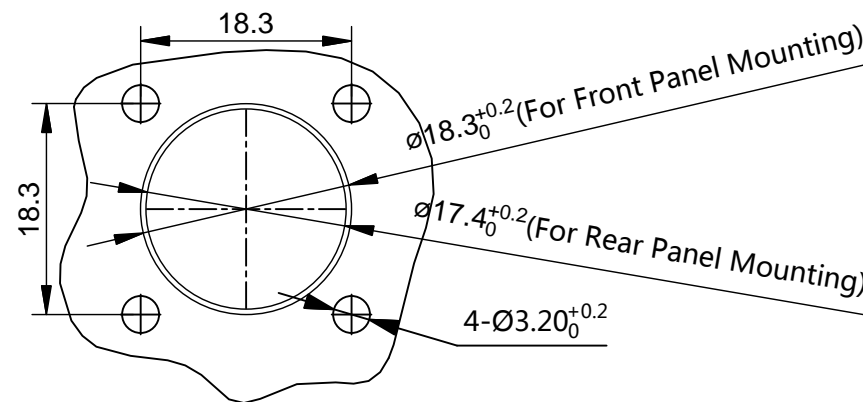
REVISIONS					
REV	ECO	DESCRIPTION	DATE	BY	APPR
B1	-	RELEASED DRAWING	Nov-17-2014	Ben	Tommy



NOTES : (UNLESS OTHERWISE SPECIFIED)

- MATERIAL :  
SHELL : ZINC ALLOY , NICKEL PLATED.  
INSERT : THERMOPLASTIC , UL94 V-0.  
END CAP : THERMOPLASTIC , UL94 V-0.  
PLASTIC BUSHING : THERMOPLASTIC , UL94 V-0.  
SEAL GASKET : NBR/SILICONE RUBBER.  
O-RING : NBR/SILICONE RUBBER.  
WIRE SEAL : SIICONE RUBBER.
- SPECIFICATIONS :  
2.1 RATED CURRENT : 13A (MAX).  
2.2 RATED VOLTAGE : 300V ( AC/DC ) .  
2.3 OPERATING TEMPERATURE : SEE CHART.  
2.4 DIELECTRIC WITHSTANDING VOLTAGE : LESS THAN 2 MILLIAMPS CURRENT LEAKAGE@2000 VOLTS AC.  
2.5 INSULATION RESISTANCE : 5000 MEGOHMS MIN.  
2.6 IP--CLASS : IP67.  
2.7 MATING CYCLES DURABILITY : 500 CYCLES MIN.  
2.8 ROHS COMPLIANT.
- SUITABLE CONTACTS : 16# CONTACTS.
- ALL DIMENSIONS ARE FOR REFERENCE USE ONLY.
- CONTACT SIZE AND REAR SEAL WIRE RANGE :

CONTACT SIZE	MIN. INSUL O.D.	MAX. INSUL O.D.	WIRE RANGE
16#	Ø2.0mm	Ø3.2mm	14 - 24AWG



PANEL CUT OUT REFERENCE

KEY POS	PART NUMBER	
	-40°C ~ 105°C	-40°C ~ 125°C
N	RT00104SNHEC	RT00104SNHEC03
W	RT00104SWHEC	RT00104SWHEC03
X	RT00104SXHEC	RT00104SXHEC03
Y	RT00104SYHEC	RT00104SYHEC03
Z	RT00104SZHEC	RT00104SZHEC03

QUANTITY	SEE PART NUMBER CHART PART NUMBER	DESCRIPTION	ITEM								
<b>MATERIALS LIST</b>											
<small>UNLESS OTHERWISE SPECIFIED</small> 1) All dimensions are in metric(mm). 2) Tolerances are as follows: 1 PL DEC ±0.30 2 PL DEC ±0.15 3 PL DEC ±0.08 Fractions ±1/64 Angles ±1° 3) Note reference =		<b>SIGNATURES</b> DRAWN: Ben CHECKED: ENGINEER: APPROVAL: <b>DATE</b> Nov-17-2014	<div style="text-align: center;"><h1>Amphenol</h1></div> Sine Systems - www.amphenol-sine.com 44724 Morley Drive Clinton Township, MI 48036								
<small>MATERIAL SPECIFICATIONS:</small>  <small>PROCESS SPECIFICATIONS:</small>  <small>NEXT ASSY:</small>		<small>CUSTOMER:</small>  THIS DRAWING IS SUPPLIED FOR INFORMATION ONLY. DESIGN FEATURES, SPECIFICATIONS AND PERFORMANCE DATA SHOWN HEREON ARE THE PROPERTY OF THE AMPHENOL CORPORATION. NO RIGHTS OF REPRODUCTION ARE IMPLIED. ALL DIMENSIONS ARE SUBJECT TO NORMAL MANUFACTURING VARIATIONS.	ECO-MATE,RECEPTACLE, SIZE 10,4POS,SOCKET,END CAP.  <table border="1"> <tr> <td>SIZE</td> <td>TYPE</td> <td>DWG NO.</td> <td>REVISION</td> </tr> <tr> <td>B</td> <td>C-</td> <td>RT00104S*HEC*</td> <td>B1</td> </tr> </table>	SIZE	TYPE	DWG NO.	REVISION	B	C-	RT00104S*HEC*	B1
SIZE	TYPE	DWG NO.	REVISION								
B	C-	RT00104S*HEC*	B1								
SCALE: NONE		SHEET 1 OF 1									

TITLE: ECO-MATE,RECEPTACLE,SIZE 10,4POS,SOCKET,END CAP. DWG NO.: RT00104S\*HEC\* REV: B1 SH: 1 OF: 1

单击下面可查看定价，库存，交付和生命周期等信息

[>>Amphenol\(安费诺\)](#)