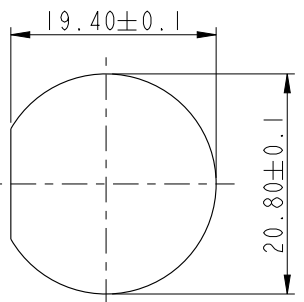


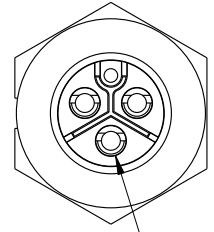
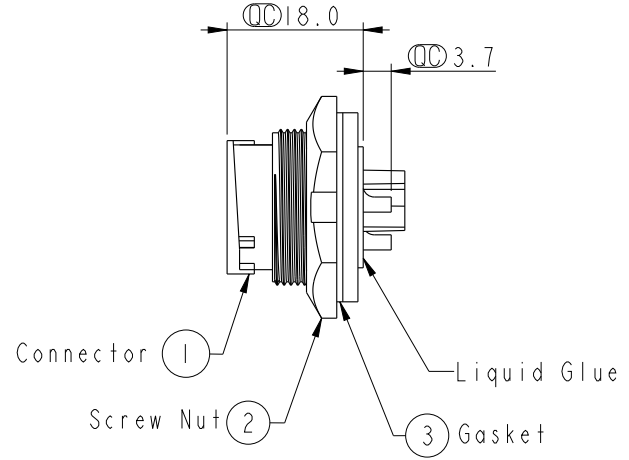
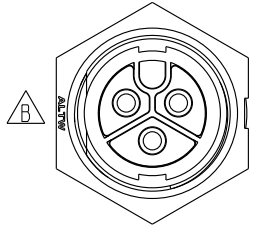
REV.	ECN NO.	DATE	SIGN	DESCRIPTION
A	Initial Release	2012/08/13	Yulong	Change Rve.01 To Rve.A
B	LEN1590264	2015-09-09	Tom	Change Logo

ALTW
CONFIDENTIAL
2015-09-09
R&D DEPT.

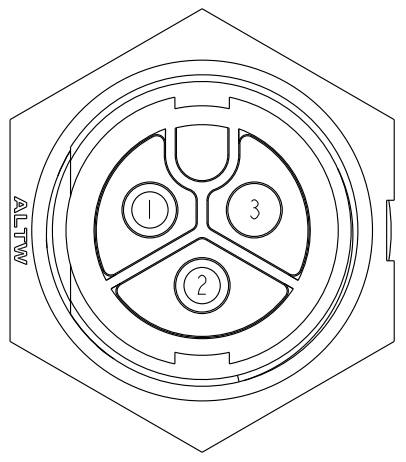
ALTW
DCC. DEPT.
CONFIDENTIAL
2015.09.18
ISSUED



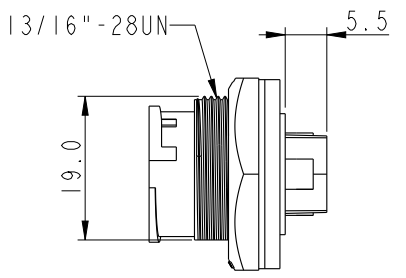
Recommended
Panel Cut-Out



Long Male Pin (Pin 2)



Pin Assignments
Front View



- Note:
- * Ⓞ Important Dimension To Check.
 - * Waterproof Rate: IP67
 - * Connector: Nylon+GF, Black
 - * Male Pin: Copper Alloy, Gold Plated.
 - * Screw Nut: Nylon+GF, Black.
 - * Gasket: Silicone, UL94V-0, Gray.
 - * Maximum Panel Thickness: 4.5mm.

UNIT: mm	
TOLERANCE	
.X	±0.25
.XX	±0.1
.XXX	±0.05
ANGLES	±1°

TITLE POWER PANEL LOCK 3PIN M CONN M PIN			
SCALE 1:1	SIZE A4	SHEET 1 OF 1	
REV. B	WC-REV. A.4	Ⓞ : Inspection item	

Amphenol LTW
安費諾亮泰企業股份有限公司

ITEM NO. PWC-03PMMS-LC7001	DRAWN BY Tom	DATE 2015-09-09
DWG NO. PWC-03PMMS-LC7001	CHECKED BY Jiazhen	DATE 2015-09-09
CUSTOMER ALTW	APPROVED BY Jerry	DATE 2015-09-09

THIS DOCUMENT IS SUBJECT TO CHANGE WITHOUT NOTICE. IT IS CONFIDENTIAL AND A PROPERTY OF Amphenol LTW. DISCLOSURE TO THIRD PARTY HAS TO BE AUTHORIZED BY Amphenol LTW.

单击下面可查看定价，库存，交付和生命周期等信息

[>>Amphenol\(安费诺\)](#)