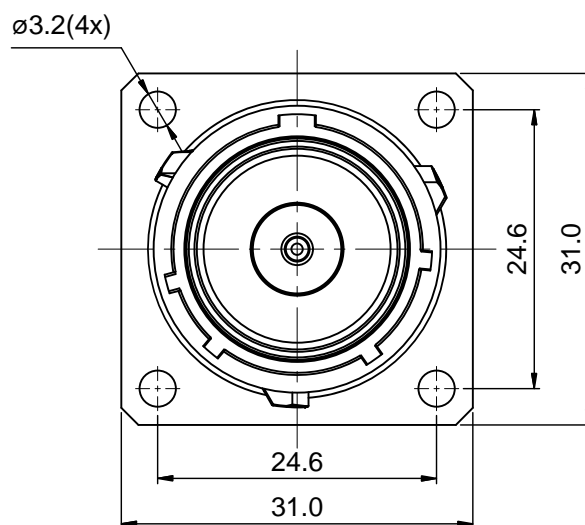
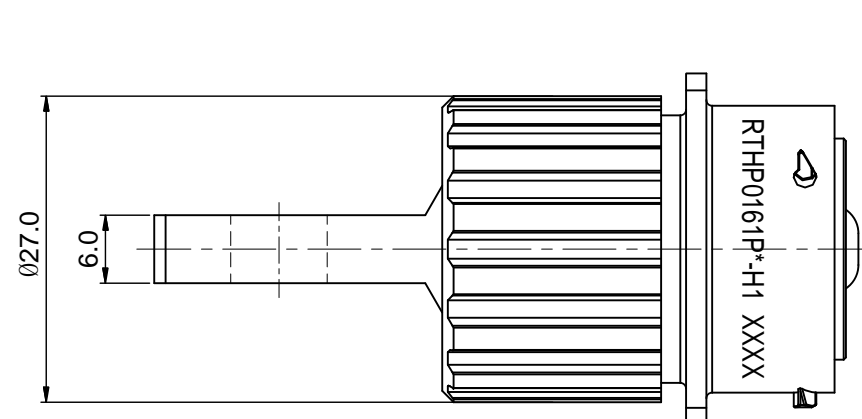
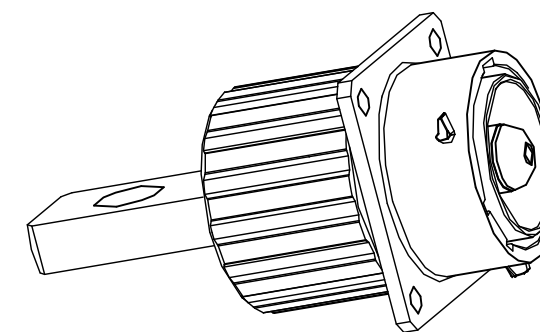
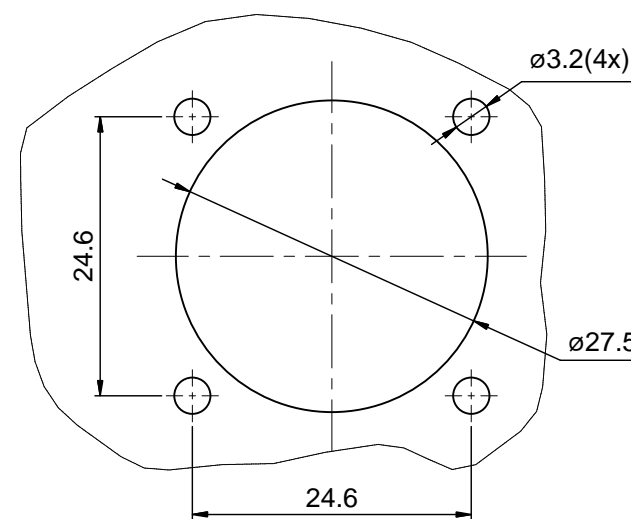
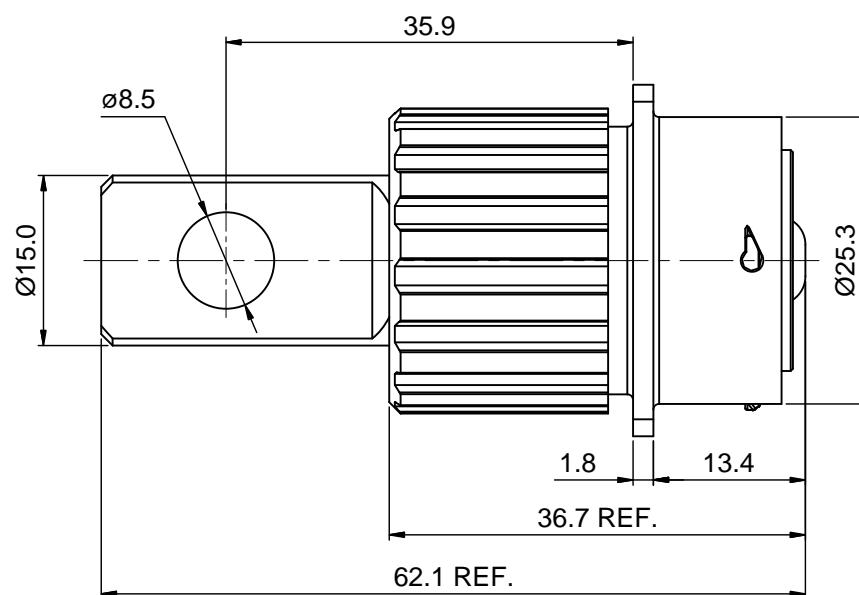


REVISIONS					
REV	ECO	DESCRIPTION	DATE	BY	APPR
B1	-	RELEASE NEW DWG FORMAT	08/14/14	DRACK	TOMMY



NOTES:

- MATERIAL:
 - HOUSING BODY: ZINC DIE-CAST, NICKEL PLATED
 - INSULATION INSERT: PA66,UL94 V0
 - CONTACT: COPPER ALLOY, SILVER PLATED
 - SEAL: SILICONE RUBBER
- SPECIFICATIONS:
 - CURRENT RATING: 180 AMPS MAX.
 - VOLTAGE RATING: 630 V AC/DC
 - OPERATING TEMPERATURE: -40°C TO +125°C
 - DIELECTRIC WITHSTANDING VOLTAGE: LESS THAN 2 MILLIAMPS CURRENT IEAKAGE @ 5000 VOLTS AC
 - DEGREE OF PROTECTION: IP67 (MATED CONDITION)
 - DEGREE OF POLLUTION: 3 PER UL840
 - OVERVOLTAGE CATEGORY: III PER UL840
 - MATING CYCLE DURABILITY: >100 CYCLES
 - RoHS COMPLIANT
- ALL DIMENSIONS ARE FOR REFERENCE USE ONLY.
- "*" DENOTE KEY POSTION OF "N","W","X","Y" OR "Z".
- CONTACT P/N: HPCHS



KEY POS	PART NO.
N	RTHP0161PN-H1
W	RTHP0161PW-H1
X	RTHP0161PX-H1
Y	RTHP0161PY-H1
Z	RTHP0161PZ-H1

Mounting Hole

QUANTITY	SEE PART NUMBER CHART PART NUMBER	DESCRIPTION	ITEM
MATERIALS LIST			
UNLESS OTHERWISE SPECIFIED 1) All dimensions are in metric(mm). 2) Tolerances are as follows: 1 PL DEC ±0.30 2 PL DEC ±0.15 3 PL DEC ±0.08 Fractions ±1/64 Angles ±1° 3) Note reference =		SIGNATURES DRAWN: Drack CHECKED: ENGINEER: APPROVAL:	DATE 08/14/14
MATERIAL SPECIFICATIONS:		<div style="text-align: center;"> <h1>Amphenol</h1> <p>Sine Systems - www.amphenol-sine.com 44724 Morley Drive Clinton Township, MI 48036</p> </div>	
PROCESS SPECIFICATIONS:			
NEXT ASSY:		CUSTOMER: THIS DRAWING IS SUPPLIED FOR INFORMATION ONLY. DESIGN FEATURES, SPECIFICATIONS AND PERFORMANCE DATA SHOWN HEREON ARE THE PROPERTY OF THE AMPHENOL CORPORATION. NO RIGHTS OF REPRODUCTION ARE IMPLIED. ALL DIMENSIONS ARE SUBJECT TO NORMAL MANUFACTURING VARIATIONS.	ECO-MATE,RECEPTACLE,8mm SINGLE PIN CONTACT, FLATE HOLE TYPE,FLANGE WALL MOUNTING SIZE: B TYPE: C- DWG NO: RTHP0161P*-H1 REVISION: B1 SCALE: 3:2 SHEET 1 OF 1

TITLE: ECO-MATE RECEPTACLE,8mm SINGLE PIN CONTACT,FLATE HOLE TYPE,FLANGE WALL MOUNTING

DWG NO:

RTHP0161P*-H1

REV: B1

SH: 1

OF: 1

单击下面可查看定价，库存，交付和生命周期等信息

[>>Amphenol\(安费诺\)](#)