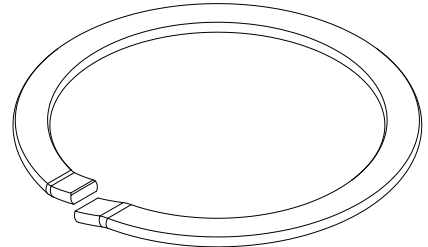
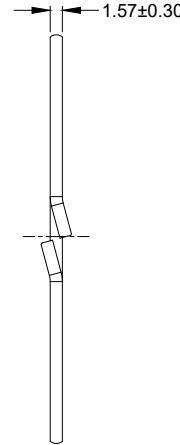
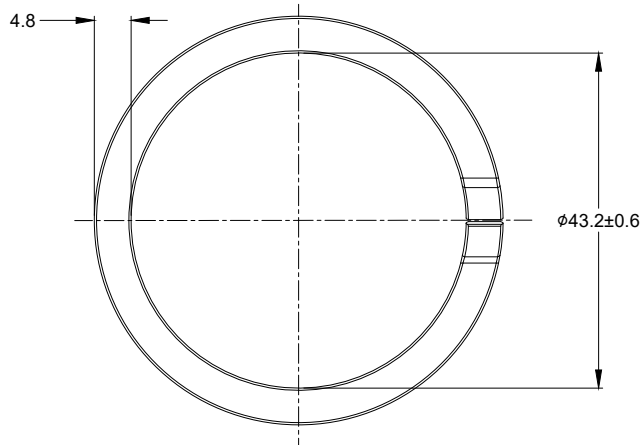


REVISIONS					
REV	ECO	DESCRIPTION	DATE	BY	APPR
A1	--	RELEASE NEW DRAWING	26/SEP/18	ROOKIE	TOMMY



- NOTES: UNLESS OTHERWISE SPECIFIED
1. MATERIAL: STAINLESS STEEL.
 2. USE WITH AHDM SERIES SIZE 24 RECEPTACLE.
 3. RoHS COMPLIANT.
 4. ALL DIMENSIONS ARE FOR REFERENCE USE ONLY.

TITLE: LOCKWASHER, AHDM, SIZE 24
 DWG NO: A112264
 REV: A1
 SH: 1
 OF: 1

A112264		DESCRIPTION		ITEM																																				
PART NUMBER		DESCRIPTION		ITEM																																				
<table border="1"> <thead> <tr> <th>QUANTITY</th> <th colspan="4">MATERIALS LIST</th> </tr> </thead> <tbody> <tr> <td rowspan="4">UNLESS OTHERWISE SPECIFIED: 1) All dimensions are in metric(mm). 2) Tolerances are as follows: 1 PL DEC ±0.30 2 PL DEC ±0.15 3 PL DEC ±0.08 3) Note reference = </td> <td>SIGNATURES</td> <td>DATE</td> <td colspan="2" rowspan="4"> <p style="text-align: center;">Amphenol</p> <p style="text-align: center;">Sine Systems - www.amphenol-sine.com 44724 Morley Drive Clinton Township, MI 48036</p> <p style="text-align: center;">LOCKWASHER, AHDM, SIZE 24</p> </td> </tr> <tr> <td>DRAWN: ROOKIE</td> <td>26/SEP/18</td> </tr> <tr> <td>CHECKED: ORION</td> <td>26/SEP/18</td> </tr> <tr> <td>ENGINEER:</td> <td></td> </tr> <tr> <td>MATERIAL SPECIFICATIONS:</td> <td>APPROVAL: TOMMY</td> <td>26/SEP/18</td> <td colspan="2">CUSTOMER:</td> </tr> <tr> <td>PROCESS SPECIFICATIONS:</td> <td colspan="4">THIS DRAWING IS SUPPLIED FOR INFORMATION ONLY. DESIGN FEATURES, SPECIFICATIONS AND PERFORMANCE DATA SHOWN HEREON ARE THE PROPERTY OF THE AMPHENOL CORPORATION. NO RIGHTS OF REPRODUCTION ARE IMPLIED. ALL DIMENSIONS ARE SUBJECT TO NORMAL MANUFACTURING VARIATIONS.</td> </tr> <tr> <td>NEXT ASSY:</td> <td>SIZE: B</td> <td>TYPE: C-</td> <td>DWG NO: A112264</td> <td>REVISION: A1</td> </tr> <tr> <td></td> <td>SCALE: NONE</td> <td colspan="2">SHEET 1 OF 1</td> <td></td> </tr> </tbody> </table>					QUANTITY	MATERIALS LIST				UNLESS OTHERWISE SPECIFIED: 1) All dimensions are in metric(mm). 2) Tolerances are as follows: 1 PL DEC ±0.30 2 PL DEC ±0.15 3 PL DEC ±0.08 3) Note reference =	SIGNATURES	DATE	<p style="text-align: center;">Amphenol</p> <p style="text-align: center;">Sine Systems - www.amphenol-sine.com 44724 Morley Drive Clinton Township, MI 48036</p> <p style="text-align: center;">LOCKWASHER, AHDM, SIZE 24</p>		DRAWN: ROOKIE	26/SEP/18	CHECKED: ORION	26/SEP/18	ENGINEER:		MATERIAL SPECIFICATIONS:	APPROVAL: TOMMY	26/SEP/18	CUSTOMER:		PROCESS SPECIFICATIONS:	THIS DRAWING IS SUPPLIED FOR INFORMATION ONLY. DESIGN FEATURES, SPECIFICATIONS AND PERFORMANCE DATA SHOWN HEREON ARE THE PROPERTY OF THE AMPHENOL CORPORATION. NO RIGHTS OF REPRODUCTION ARE IMPLIED. ALL DIMENSIONS ARE SUBJECT TO NORMAL MANUFACTURING VARIATIONS.				NEXT ASSY:	SIZE: B	TYPE: C-	DWG NO: A112264	REVISION: A1		SCALE: NONE	SHEET 1 OF 1		
QUANTITY	MATERIALS LIST																																							
UNLESS OTHERWISE SPECIFIED: 1) All dimensions are in metric(mm). 2) Tolerances are as follows: 1 PL DEC ±0.30 2 PL DEC ±0.15 3 PL DEC ±0.08 3) Note reference =	SIGNATURES	DATE	<p style="text-align: center;">Amphenol</p> <p style="text-align: center;">Sine Systems - www.amphenol-sine.com 44724 Morley Drive Clinton Township, MI 48036</p> <p style="text-align: center;">LOCKWASHER, AHDM, SIZE 24</p>																																					
	DRAWN: ROOKIE	26/SEP/18																																						
	CHECKED: ORION	26/SEP/18																																						
	ENGINEER:																																							
MATERIAL SPECIFICATIONS:	APPROVAL: TOMMY	26/SEP/18	CUSTOMER:																																					
PROCESS SPECIFICATIONS:	THIS DRAWING IS SUPPLIED FOR INFORMATION ONLY. DESIGN FEATURES, SPECIFICATIONS AND PERFORMANCE DATA SHOWN HEREON ARE THE PROPERTY OF THE AMPHENOL CORPORATION. NO RIGHTS OF REPRODUCTION ARE IMPLIED. ALL DIMENSIONS ARE SUBJECT TO NORMAL MANUFACTURING VARIATIONS.																																							
NEXT ASSY:	SIZE: B	TYPE: C-	DWG NO: A112264	REVISION: A1																																				
	SCALE: NONE	SHEET 1 OF 1																																						

单击下面可查看定价，库存，交付和生命周期等信息

[>>Amphenol\(安费诺\)](#)