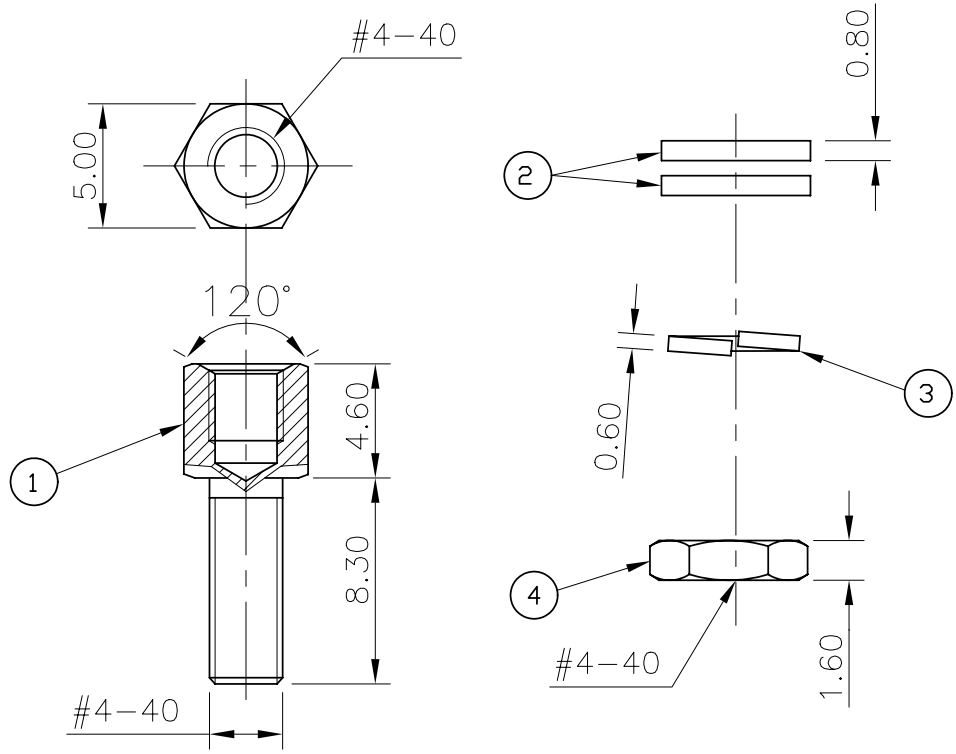


This document is the property of Amphenol Corporation and is delivered on the express condition that it is not to be disclosed, reproduced or used, in whole or in part, for manufacture or sale by anyone other than Amphenol Corporation without its prior consent, & that no right is granted to disclose or to use any information in this document.



- ① SCREW
- ② WASHERS
- ③ LOCK WASHER
- ④ NUT



Customer drawing

REVISIONS				
SYM	ECN	DESCRIPTION	DATE	APPROVED
1			04/25/08	

D-SUB TECHNICAL DATA

MATERIAL:

Screwlock: Steel,100u" min tin over 50u" min nickel.
 Washer: Steel,100u" min tin over 50u" min nickel.
 Lock washer: XC 35
 Nut: Brass,100u" min tin over 50u" min nickel.

PACKAGE:

Delivered separately
 1 P/N = 10 sets

MARKING:

Amphenol...(Series No.) Commercial reference
 Manufacturing date

UNLESS OTHERWISE SPECIFIED TOLERANCES		APPROVAL	DATE	Amphenol®
		DRAWN	Christina.cou	
.X	+/-		CHECKED	14k.wang
.XX	+/-		CHECKED	
.XXX	+/-			
FRACTIONS	+/-			
ANGLES	+/-			
FOR MATERIALS AND FINISHES SEE NOTES		DRAWING FILE :		TITLE
REMOVE SHARP EDGES		ANGLE OF PROJECTION		Accessory, screwlock with nut and washers
DIMENSIONS		U.S. INCHES		SIZE DRAWING NO.
METRIC MM		MM		A4 C L17D204182TX
		SCALE NONE		REV. 1
		SHEET 1 OF 1		

单击下面可查看定价，库存，交付和生命周期等信息

[>>Amphenol\(安费诺\)](#)