

1

2 3

4

5

6

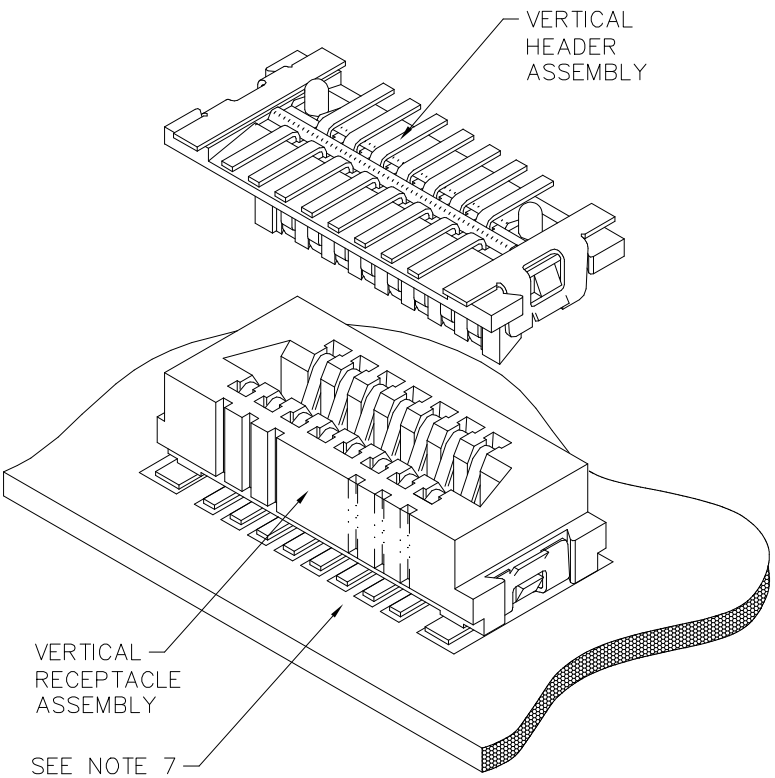


Amphenol
FCI

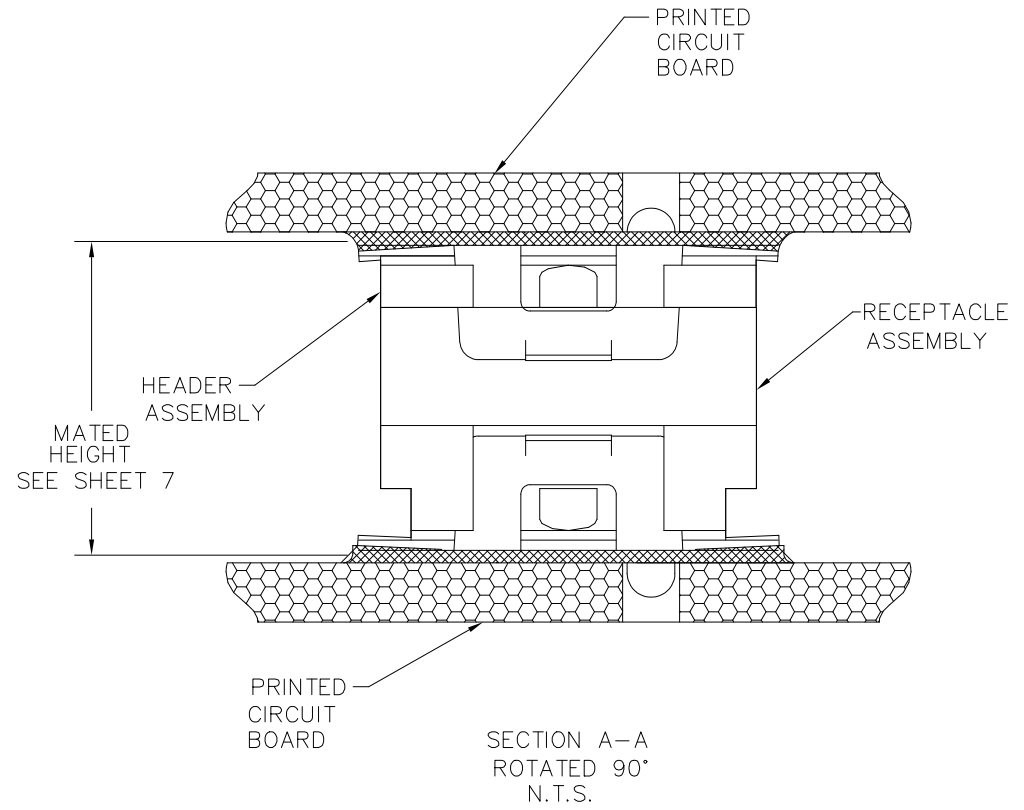
© 2016 AFCl

D

VERTICAL
HEADER
ASSEMBLY



PRINTED
CIRCUIT
BOARD

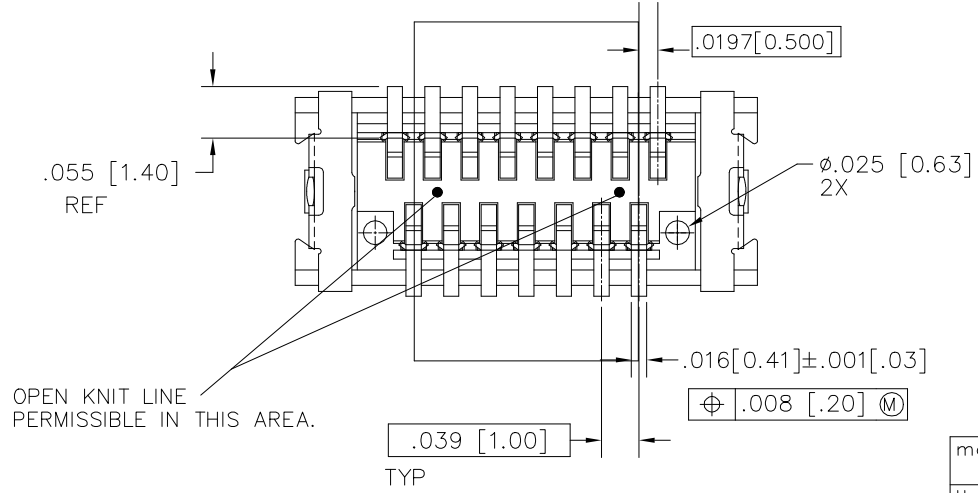
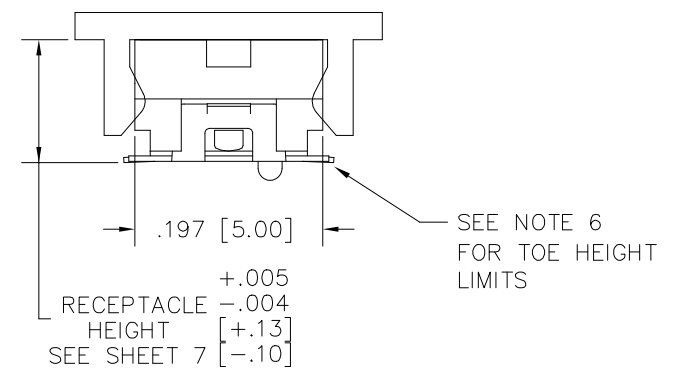
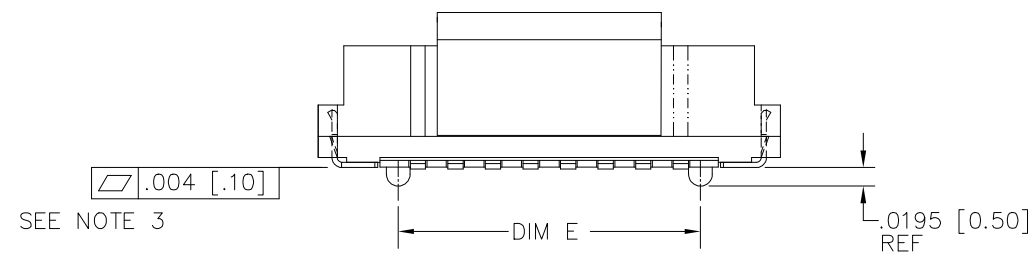
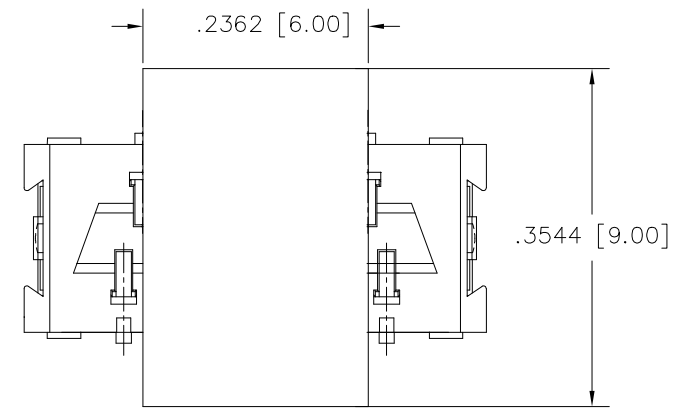
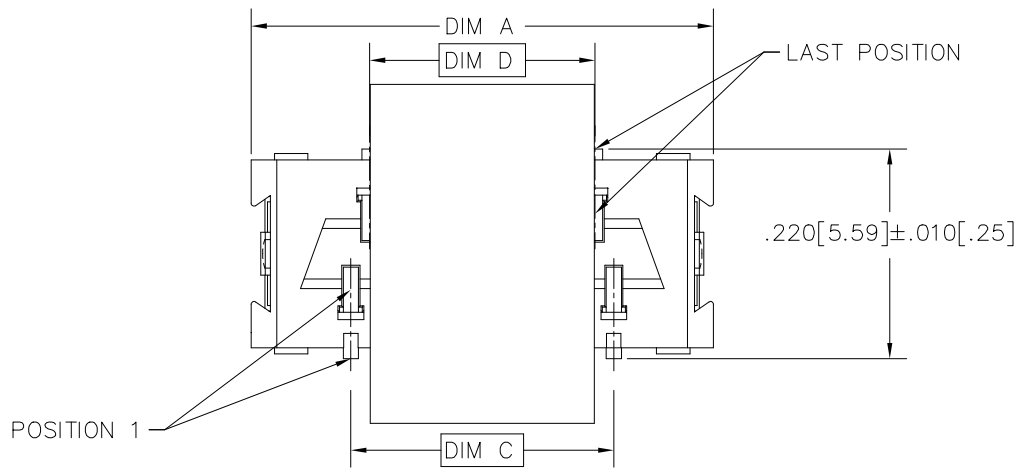


SECTION A-A
ROTATED 90°
N.T.S.

mat'l. code		surface ISO 1302 ✓		tolerance ISO 406 ISO 1101		projection ISO 1101		product family CONAN®	
ltr	ecn no	dr	date	tolerances unless otherwise specified		INCH/MM		title	
AG	ELX-N-14208	GM	2013-03-17	angles	linear			CONAN® CONNECTOR ASSEMBLY	
AH	ELX-N-22454	EH	2015-10-11					dwg no	
AJ	-	EH	2015-12-12	0°±x'		scale 1:1		sheet 1 of 7	
AK	ELX-N-26578	TONY	2017-04-07	dr	Eric Huang	2015-10-11		size	
AL	ELX-N-26810	TONY	2017-04-26	engr	Bob Gu	2020-06-04		A3	
AM	ELX-N-35652	Bob	2019-12-17	chr	LQ Lei	2020-06-04		91900	
AN	ELX-N-37277	Bob	2020-06-04	appd	Tim Yao	2020-06-04		type Product Customer Drawing	
sheet	revision	AL	AM	AN					
index	sheet	1	7	2					

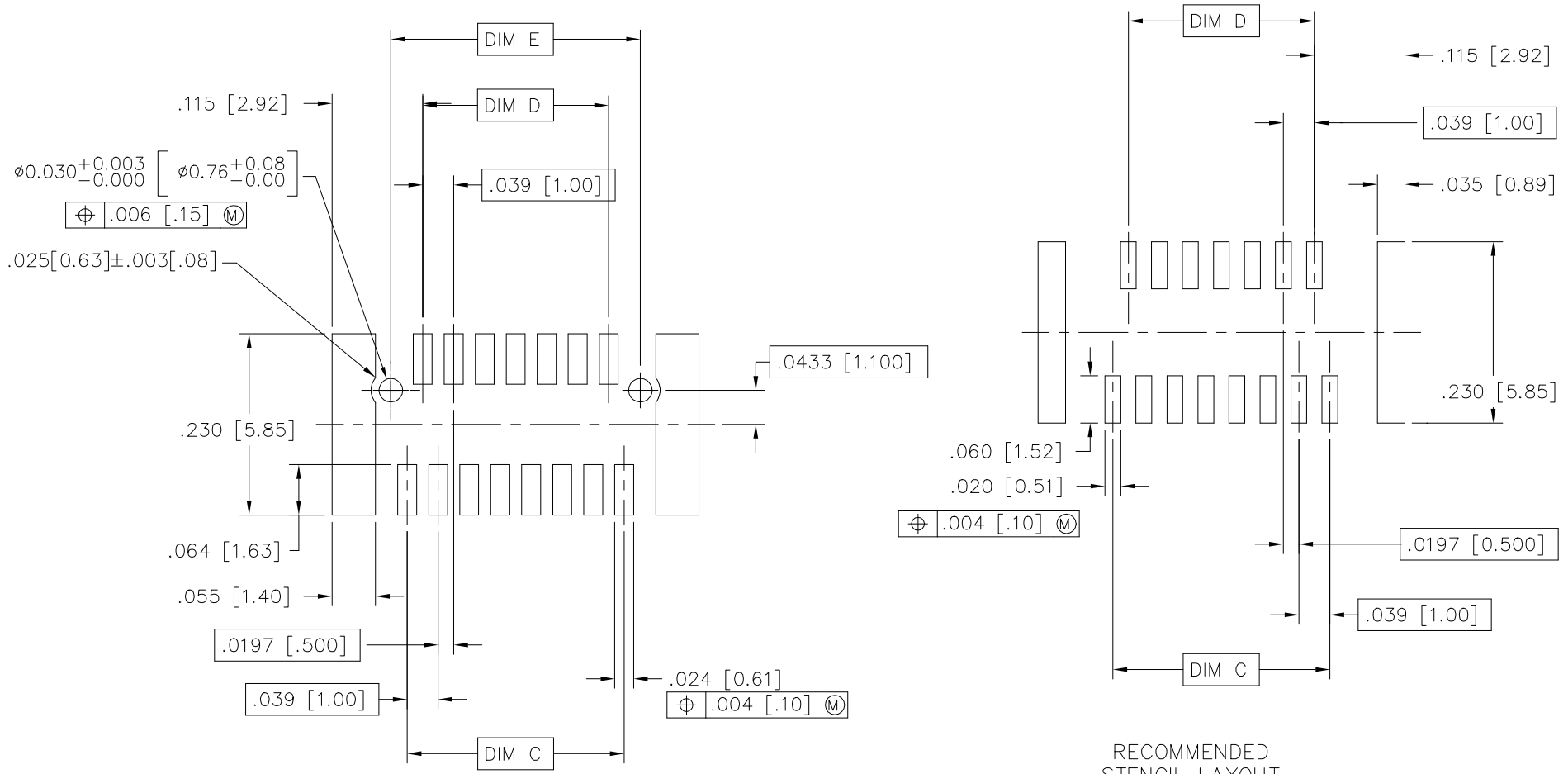
Amphenol
FCI

PRODUCT NUMBER
SEE TABLE



mat'l. code		surface ISO 1302 ✓	tolerance ISO 406 ISO 1101	projection 1101	product family CONAN®
ltr	ecn no	dr	date	tolerances unless otherwise specified	title
AN				linear .0±.30 angular .00±.20 0°±x' .000±.10	CONAN® CONNECTOR ASSEMBLY
				scale 1:1	dwg no 91900
				dr Eric Huang 2019-12-17	sheet 2 of 7
				engr Bob Gu 2020-06-04	size A3
				chr LQ Lei 2020-06-04	Amphenol FCI
				appd Tim Yao 2020-06-04	type Product Customer Drawing
sheet index	revision sheet				

PRODUCT NUMBER
SEE TABLE



RECOMMENDED
PAD LAYOUT

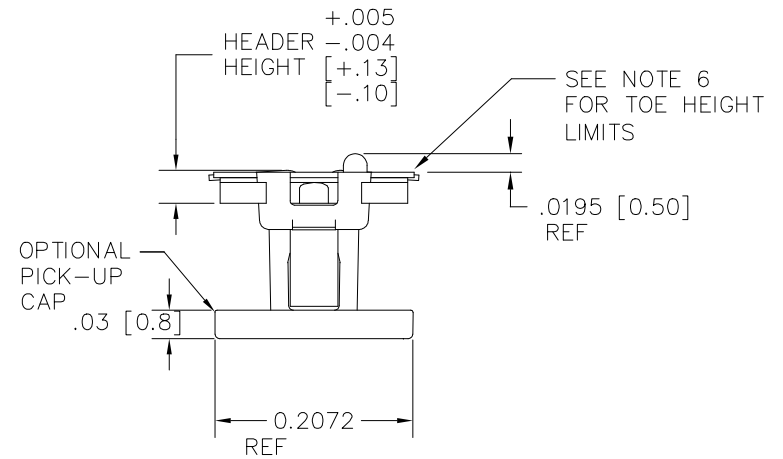
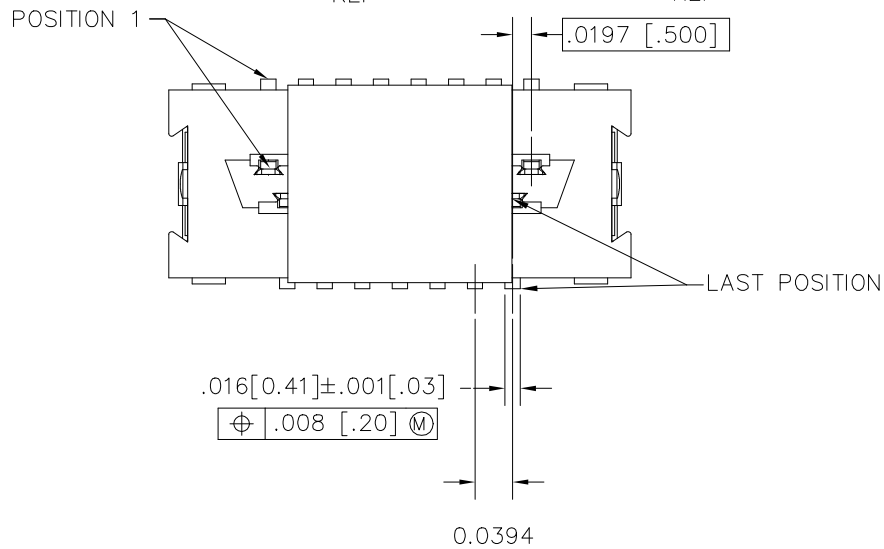
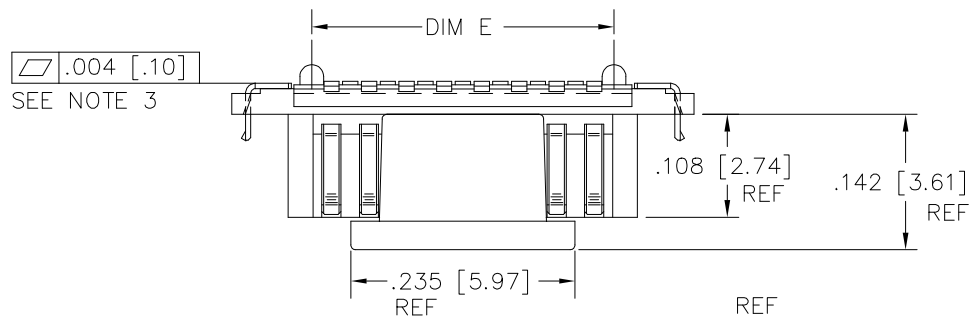
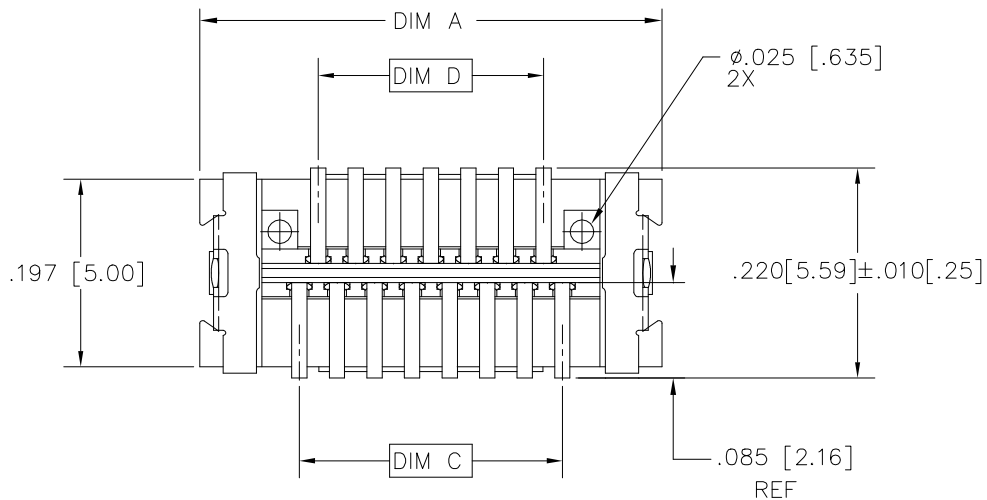
RECOMMENDED
STENCIL LAYOUT
FOR RECEPTACLE



© 2016 AFCI

mat'l. code		surface	tolerance	projection	product family
		ISO 1302 ✓	ISO 406 ISO 1101	ISO 1101	CONAN®
ltr	ecn no	dr	date	tolerances unless otherwise specified	title
AN				.0±.30 .00±.20 .000±.10	CONAN® CONNECTOR ASSEMBLY
				angles linear	INCH/MM
				0°±x'	scale 1:1
		dr	Eric Huang	2019-12-17	Amphenol FCI sheet 3 of 7 size A3 type Product Customer Drawing
		engr	Bob Gu	2020-06-04	
		chr	LQ Lei	2020-06-04	
		appd	Tim Yao	2020-06-04	
sheet index	revision sheet				

PRODUCT NUMBER
SEE TABLE

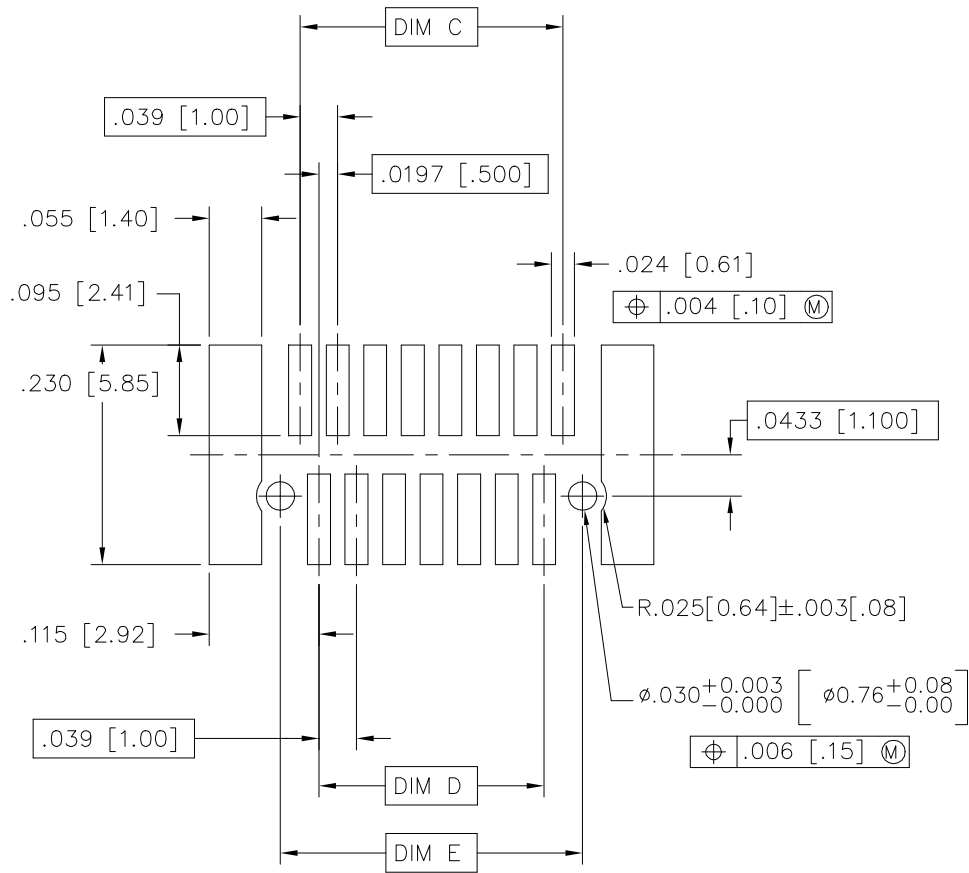


mat'l. code		surface	tolerance	projection	product family
		ISO 1302 ✓	ISO 406 ISO 1101		CONAN®
ltr	ecn no	dr	date	tolerances unless otherwise specified	title
AN				linear	CONAN® CONNECTOR ASSEMBLY
				angles	
				0°±x'	INCH/MM
					scale 1:1
		dr	Eric Huang	2019-12-17	dwg no
		engr	Bob Gu	2020-06-04	sheet 4 of 7
		chr	LQ Lei	2020-06-04	size
		appd	Tim Yao	2020-06-04	A3
					type Product Customer Drawing
sheet index	revision sheet				

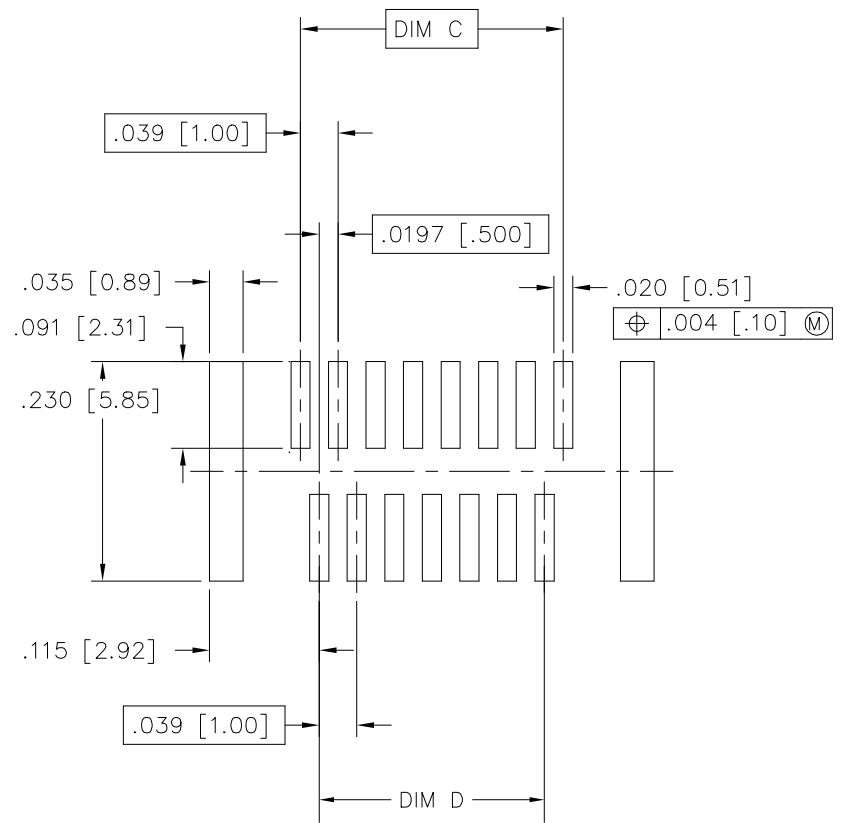
Amphenol FCI

© 2016 AFCI

PRODUCT NUMBER
SEE TABLE



RECOMMENDED
PAD LAYOUT



RECOMMENDED
STENCIL LAYOUT
FOR HEADER

Amphenol
FCI

© 2016 APCI

mat'l. code		surface ISO 1302 ✓	tolerance ISO 406 ISO 1101	projection 1101	product family CONAN®	
ltr	ecn no	dr	date	tolerances unless otherwise specified	title CONAN® CONNECTOR ASSEMBLY	
AN				angles linear 0°±x'	INCH/MM	sheet 5 of 7
				.0±.30 .00±.20 .000±.10	scale 1:1	size A3
		dr	Eric Huang	2019-12-17	Amphenol FCI	type Product Customer Drawing
		engr	Bob Gu	2020-06-04		
		chr	LQ Lei	2020-06-04		
		appd	Tim Yao	2020-06-04		
sheet index	revision sheet					

PRODUCT NUMBER	POS	DIM "A"	DIM "C"	DIM "D"	DIM "E"
919TC-WXY09	9	.366 [9.30]	.157 [4.00]	.118 [3.00]	.1990 [5.055]
-WXY09LF					
-WXY11	11	.406 [10.30]	.197 [5.00]	.157 [4.00]	.2380 [6.045]
-WXY11LF					
-WXY15	15	.484 [12.30]	.276 [7.00]	.236 [6.00]	.3170 [8.052]
-WXY15LF					
-WXY21	21	.602 [15.30]	.394 [10.00]	.354 [9.00]	.4350 [11.049]
-WXY21LF					
-WXY25	25	.681 [17.30]	.472 [12.00]	.433 [11.00]	.5140 [13.056]
-WXY25LF					
-WXY31	31	.800 [20.30]	.591 [15.00]	.551 [14.00]	.6320 [16.053]
-WXY31LF					
-WXY41	41	.996 [25.30]	.787 [20.00]	.748 [19.00]	.8290 [21.057]
-WXY41LF					
-WXY51	51	1.193 [30.30]	.984 [25.00]	.945 [24.00]	1.0260 [26.060]
-WXY51LF					
-WXY69	69	1.547 [39.30]	1.339 [34.00]	1.299 [33.00]	1.3800 [35.052]
-WXY69LF					

NOTES:

1. MATERIALS:

RECEPTACLE HOUSING - LCP, UL-94V-0. COLOR: NATURAL.

RECEPTACLE TERMINALS - COPPER ALLOY, PLATED WITH 15u"/.38u GXT™ IN CONTACT AREA AND 100u"/2.54u Sn ON SOLDER LEGS WITH AN OVERALL 50u"/1.27u Ni UNDERPLATE.

HEADER HOUSING - LCP, UL-94V-0. COLOR: NATURAL.

HEADER TERMINALS - COPPER ALLOY, PLATED WITH 15u"/.38u GXT™ IN CONTACT AREA AND 100u"/2.54u Sn ON SOLDER LEGS WITH AN OVERALL 50u"/1.27u Ni UNDERPLATE.

RETENTION DEVICE - BRASS, PLATED WITH 100u"/2.54u Sn OVER NICKEL.

2. REFERENCE GS-12-006 FOR PRODUCT PERFORMANCE DATA.

3. SEE TA-774 FOR FURTHER DESCRIPTION OF HOW THIS DIMENSION IS APPLIED.

4. PICK AND PLACE CAP OR TAPE IS ONLY AVAILABLE WITH OPTION 3 PACKAGING. (PSA ADHESIVE SEALED). ALSO, PSA PACKAGING REQUIRES A PICK AND PLACE CAP.

5. RECOMMENDED SOLDER PASTE THICKNESS IS .006 TO .008 INCHES THICK.

6. THE TOE HEIGHT OF THE SOLDER TAIL SHALL BE MEASURED FROM THE LOWEST POINT OF THE .004 CO-PLANARITY GRAVITY PLANE. THIS MEASUREMENT IS NOT TO EXCEED A WINDOW OF .000 TO .007 INCHES.

7. THREE SLOTS MAY BE LOCATED AT EITHER END OF HOUSING.

8. 5.50mm MATED HEIGHT IS ONLY AVAILABLE IN 9, 15 AND 31 POS.

9. 7.50mm MATED HEIGHT IS ONLY AVAILABLE IN 9 POS.

10. APPLIES TO 91921-3XYZZ AND 91931- 3XYZZ OPTIONS ONLY.

11. THE HOUSING WILL WITHSTAND EXPOSURE TO 260°C PEAK TEMPERATURE FOR 30 SECONDS IN A CONVECTION INFRA RED OR VAPOR PHASE REFLOW OVEN. SEE APPLICATION/PROCEDURES IF THEY ARE AVAILABLE

12. PRODUCT WITH "LF" AT THE END MEETS EUROPEAN UNION DIRECTIVES AND OTHER COUNTRY REGULATION AS DESCRIBED IN GS-22-008.

Amphenol FCI

© 2016 AFCI

mat'l. code		surface ISO 1302 <input checked="" type="checkbox"/>		tolerance ISO 406 ISO 1101		projection		product family CONAN®	
ltr		ecn no		dr		date		title	
AN								CONAN® CONNECTOR ASSEMBLY	
		angles		linear		.0±.30		INCH/MM	
						.00±.20		scale 1:1	
						.000±.10		dwg no sheet6 of 7 size	
		dr		Eric Huang		2015-10-11		91900 A3	
		engr		Bob Gu		2020-06-04		Amphenol FCI	
		chr		LQ Lei		2020-06-04		type Product Customer Drawing	
		appd		Tim Yao		2020-06-04			
sheet index		revision sheet							

CONAN[®] ASSEMBLY PART NUMBER

919 T C - W X Y ZZ LF

LEAD FREE OPTION
SEE NOTE 12

TYPE	T
HEADER WITH NO PEGS	0
HEADER WITH PEGS	1
RECEPTACLE WITH NO PEGS	2
RECEPTACLE WITH PEGS	3

PICK AND PLACE CAP OR TAPE (NOTE 4)	C
WITHOUT CAP OR TAPE	0
WITH CAP	1
WITH TAPE (RECEPTACLE ONLY)	2

PACKAGING	W
TUBE	2
PRESSURE SEALED TAPE & REEL	3

NOTE 4

Y	HEADER HEIGHT	RECEPTACLE HEIGHT	MATED HEIGHT
1	.034 [.86]	.129 [3.28]	.163 [4.15]
2	.048 [1.23]	SEE Y=1 FOR ALL RECEPTACLES	.177 [4.50]
3	.068 [1.73]		.197 [5.00]
4	.107 [2.72]		.236 [6.00]
5	.1465 [3.721]		.276 [7.00]
* 6	.088 [2.23]		.216 [5.50]
** 7	.1665 [4.229]		.296 [7.52]

* NOTE 8
** NOTE 9

X	PLATING
1	15u"/.38u GXT [™]
2	30u"/.76u GXT [™]
3	Au 30u"/.76u

ZZ	NUMBER OF POSITIONS
09	9
11	11
15	15
21	21
25	25
31	31
41	41
51	51
69	69

EXAMPLE: 91921-31125LF
IS A CONAN[®] RECEPTACLE ASSEMBLY,
HAVING NO PEGS AND WITH A PICK AND PLACE CAP.
IT ALSO HAS GXT[™] PLATING, IS .13 [3.2] HIGH AND 25
POSITIONS AND IS PACKAGED IN PRESSURE SEALED TAPE,
REEL AND LEAD FREE.

mat'l. code		surface ISO 1302 ✓	tolerance ISO 406 ISO 1101	projection	product family CONAN [®]
ltr	ecn no	dr	date	tolerances unless otherwise specified	title
AN				angles linear	CONAN [®] CONNECTOR ASSEMBLY
				0°±x'	INCH/MM
				.0±.30	scale 1:1
				.00±.20	
				.000±.10	
		dr	Eric Huang	2015-10-11	dwg no
		engr	Bob Gu	2020-06-04	sheet 7 of 7
		chr	LQ Lei	2020-06-04	size
		appd	Tim Yao	2020-06-04	91900
					A3
					type Product Customer Drawing
sheet index	revision sheet				

Amphenol FCI
© 2016 AFCl

单击下面可查看定价，库存，交付和生命周期等信息

[>>Amphenol\(安费诺\)](#)