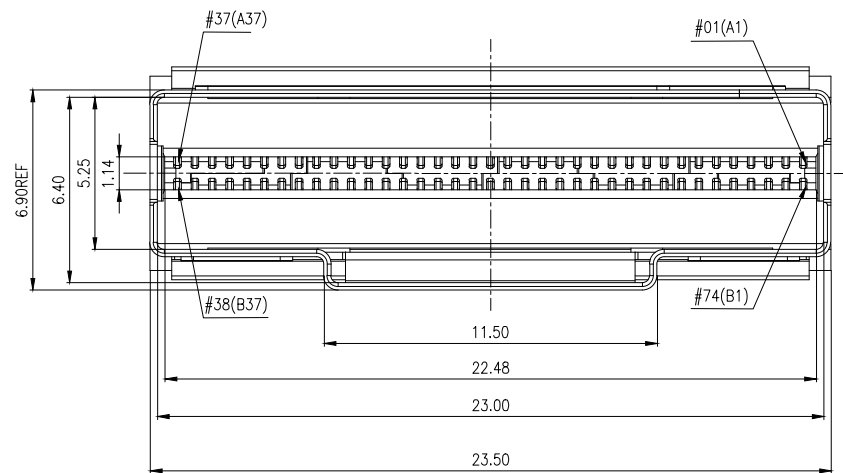


This document is the property of Amphenol Corporation and is delivered on the express condition that it is not to be disclosed, reproduced or used, in whole or in part, for manufacture or sale by anyone other than Amphenol Corporation without its prior consent, & that no right is granted to disclose or to use any information in this document.

CUSTOMER DRAWING

REVISIONS

SYM	ECN	DESCRIPTION	DATE	APPROVED
1	N/A	FIRST RELEASE	3/7'19	IP
2	N/A	CHANGING CARRIER OF TAPE	4/28'19	IP



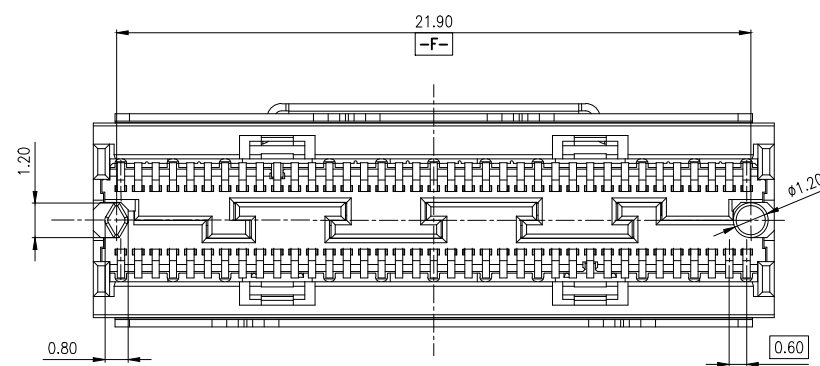
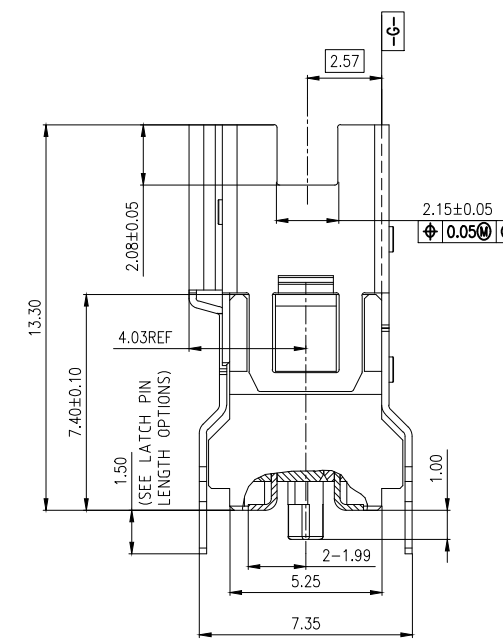
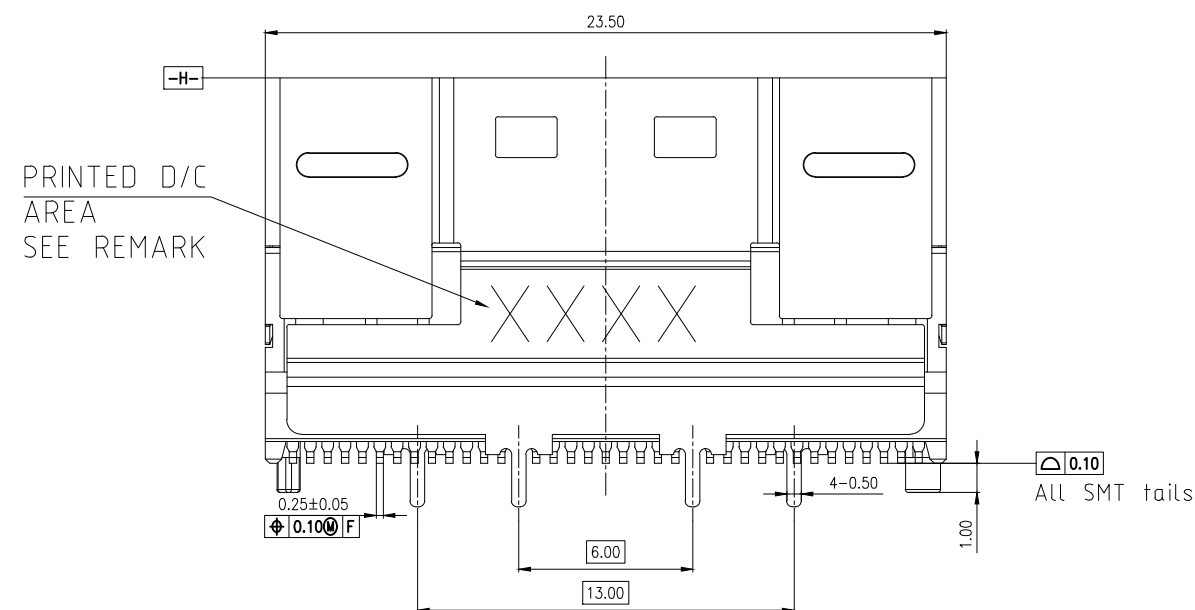
Remark:  
PRINTED D/C AREA

印刷日期代码区域

YYWW

WEEK(周)

YEAR(年)



UNLESS OTHERWISE SPECIFIED TOLERANCES

	U.S.	METRIC
.X	+/-	0.35
.XX	+/-	0.25
.XXX	+/-	0.15
FRACTIONS	+/-	
ANGLES	+/-	3°

FOR MATERIALS AND FINISHES SEE NOTES

REMOVE SHARP EDGES

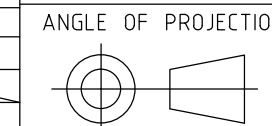
APPROVAL		DATE
DRAWN	Mike	4/28'19
CHECKED		
CHECKED		

DRAWING FILE : PLMU10BH74X0X02X-2

Amphenol  
Amphenol East Asia Limited

TITLE  
CUSTOMER DRAWING FOR  
SLIMLINE SAS X8 VERTICAL WO CAP

DIMENSIONS	
U.S.	INCHES
(METRIC)	(MM)



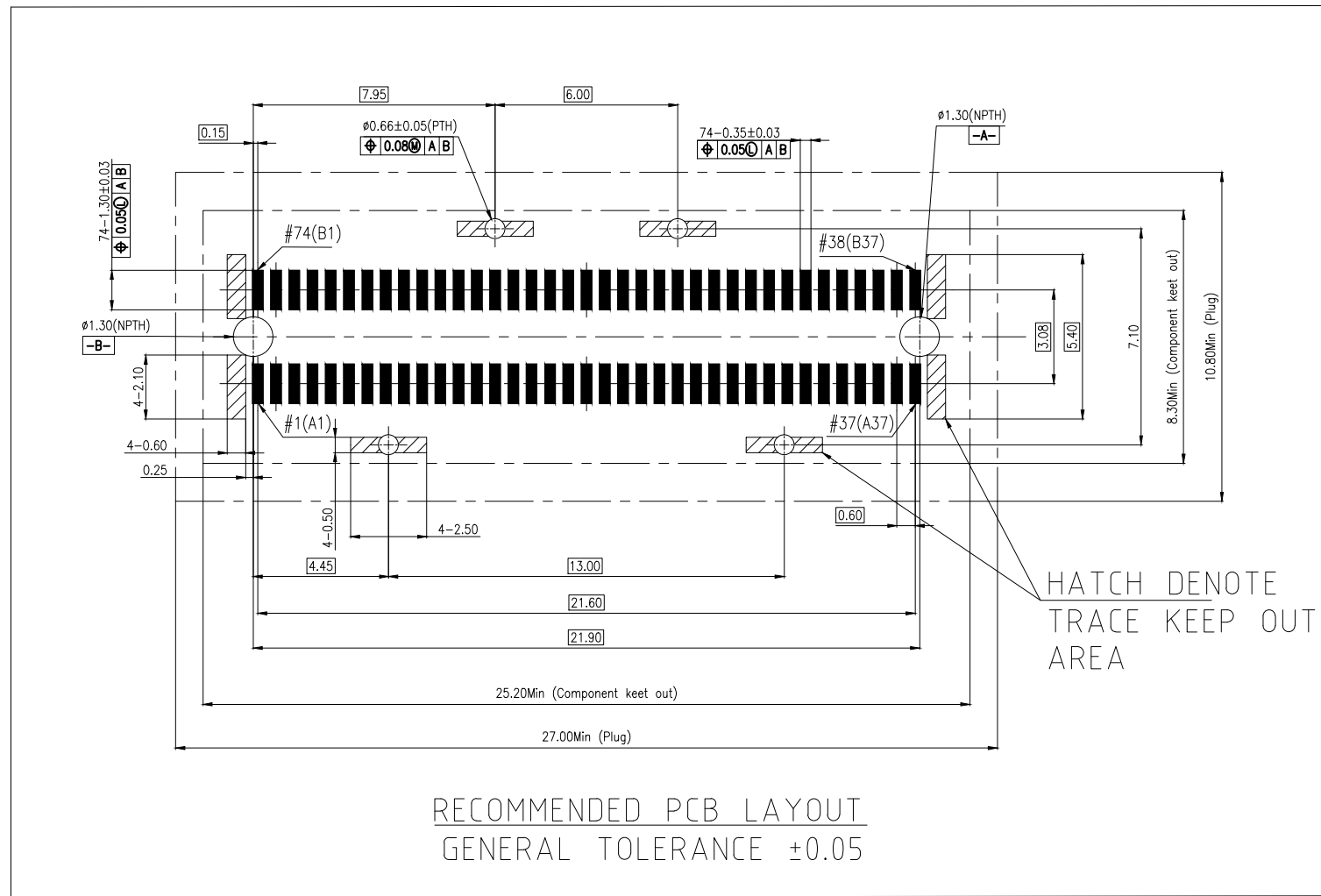
SIZE	DRAWING NO.	REV.
A3	U10BH74X0X02X	2
SCALE	NONE	SHEET 1 OF 2

This document is the property of Amphenol Corporation and is delivered on the express condition that it is not to be disclosed, reproduced or used, in whole or in part, for manufacture or sale by anyone other than Amphenol Corporation without its prior consent, & that no right is granted to disclose or to use any information in this document.

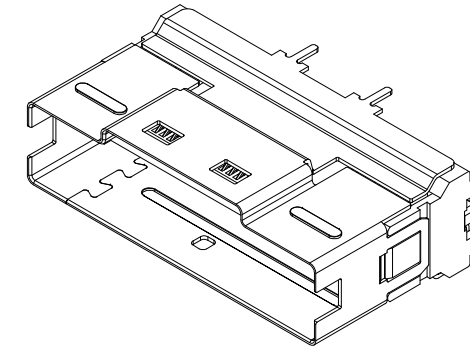
# CUSTOMER DRAWING

## REVISIONS

SYM	ECN	DESCRIPTION	DATE	APPROVED
		SEE SHEET 1		



RECOMMENDED PCB LAYOUT  
GENERAL TOLERANCE ±0.05



### NOTES:

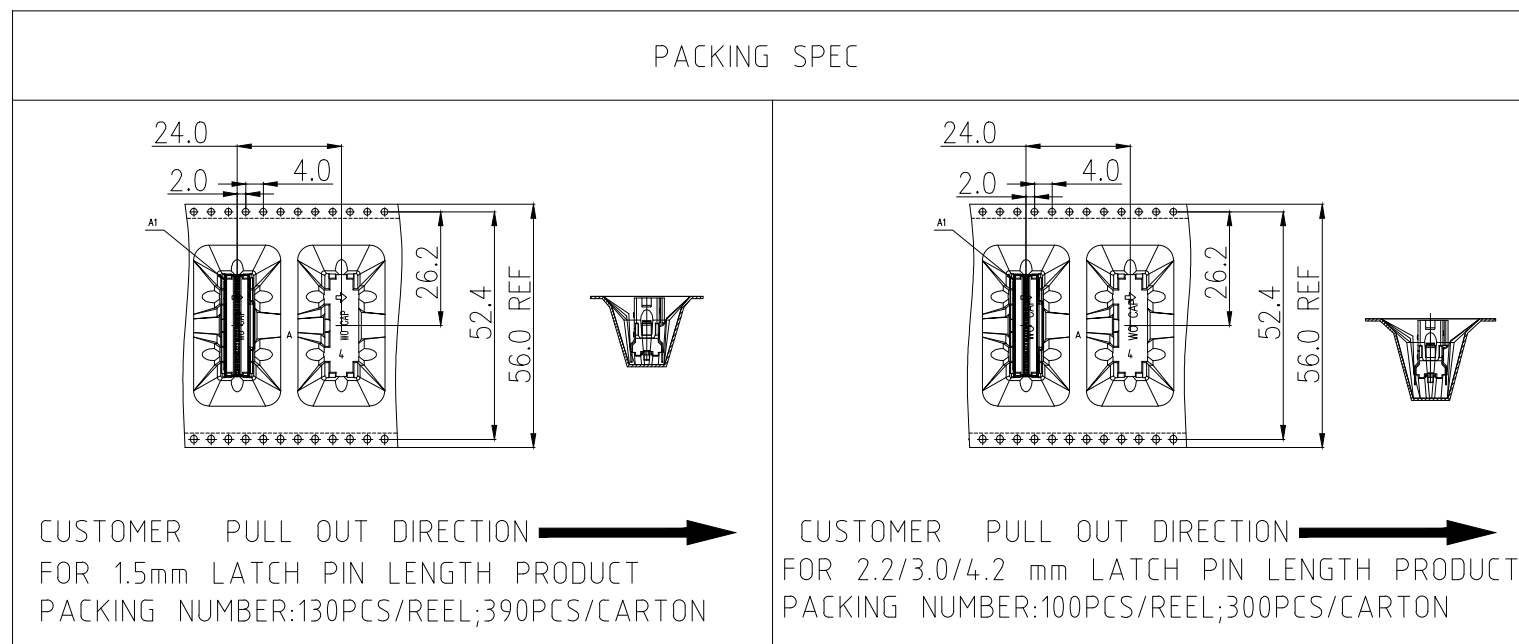
- MATERIAL:  
HOUSING : SOLDER REFLOW PROCESS COMPATIBLE LCP, BLACK, UL94V-0  
CONTACTS : HIGH PERFORMANCE COPPER ALLOY, PLATING REFER TO P/N SYSTEM  
LATCH : STAINLESS STEEL, SOLDERABLE NICKEL OVER ALL
- RoHS COMPLIANT
- ORDER P/N SYSTEM:  
U10BH74XXX02X

Packing Options  
T: tape&reel

Options (resonance damping and latch options)  
0: With resonance damping  
1: No resonance damping

LATCH PIN LENGTH OPTIONS  
0: 1.50  
7: 2.20  
8: 3.00  
9: 4.20

CONTACT PLATING OPTION  
2: 30 MICROINCHES OF GOLD ON MATING END WITH MATTE TIN ON SOLDER TERMINATION, NICKEL UNDERPLATE ALL OVER  
3: 15 MICROINCHES OF GOLD ON MATING END WITH MATTE TIN ON SOLDER TERMINATION, NICKEL UNDERPLATE ALL OVER



CUSTOMER PULL OUT DIRECTION →  
FOR 1.5mm LATCH PIN LENGTH PRODUCT  
PACKING NUMBER: 130PCS/REEL; 390PCS/CARTON

CUSTOMER PULL OUT DIRECTION →  
FOR 2.2/3.0/4.2 mm LATCH PIN LENGTH PRODUCT  
PACKING NUMBER: 100PCS/REEL; 300PCS/CARTON

UNLESS OTHERWISE SPECIFIED TOLERANCES	
U.S.	METRIC
.X	+/- 0.35
.XX	+/- 0.25
.XXX	+/- 0.15
FRACTIONS	+/-
ANGLES	+/- 3°

APPROVAL	DATE
DRAWN: Mike	3/7/19
CHECKED:	
CHECKED:	

Amphenol		Amphenol East Asia Limited	
TITLE: CUSTOMER DRAWING FOR SLIMLINE SAS X8 VERTICAL WO CAP			
SIZE: A3	DRAWING NO.: U10BH74X0X02X	REV.: 2	
SCALE: NONE	SHEET 2 OF 2		

单击下面可查看定价，库存，交付和生命周期等信息

[>>Amphenol\(安费诺\)](#)