

THIS DRAWING IS SUPPLIED FOR INFORMATION ONLY. DESIGN FEATURES, SPECIFICATIONS AND PERFORMANCE DATA SHOWN HEREON ARE THE PROPERTY OF THE AMPHENOL CORPORATION. NO RIGHTS OF REPRODUCTION ARE IMPLIED. ALL DIMENSIONS ARE SUBJECT TO NORMAL MANUFACTURING VARIATIONS.

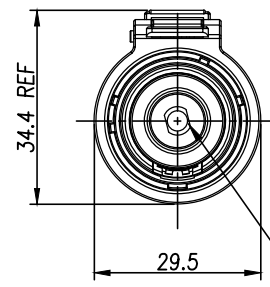
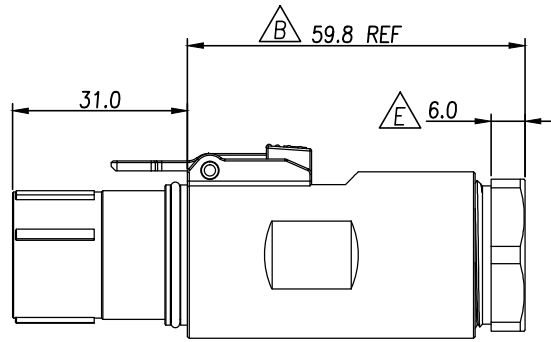
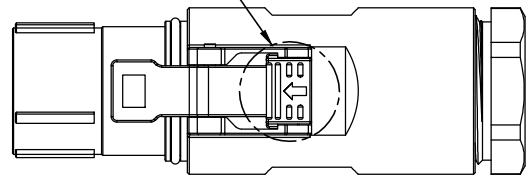
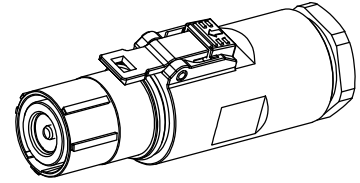
Customer Drawing

REVISIONS					
REV	ZONE	ECO	DESCRIPTION	DATE	BY APPR
1	--	--	INITIAL RELEASE	12/04/13	RW EC
A	--	--	Add P/N List	06/20/14	RW EC
B	--	--	Change Spec.	09/10/14	RW EC
C	--	--	Change The Color of Press Key, Add New P/N	03/03/15	RW EC
D	--	--	Add Touch Proof Pin & New P/N, Change DWG NO.	05/05/15	RW EC
E	--	--	Rear nut increase 1mm, reduced inner diameter	09/08/15	RW GX

订购信息 Ordering Information

PL18	X	-	30	1	-	70
△ 键位及颜色 Key & Color		高压互锁 HVIL		线缆大小 Cable Size		
"X", 橙色 Orange		0, 不带互锁 No HVIL		"70"=70mm <sup>2</sup>		
"Y", 黑色 Black		1, 带互锁 With HVIL		"50"=50mm <sup>2</sup>		
"U", 黄色 Yellow				"35"=35mm <sup>2</sup>		
"V", 绿色 Green						
"W", 红色 Red						
"T", 蓝色 Blue						

按键颜色见“订购信息”  
The color of press key see "Ordering Information"



防触摸塑料盖  
Touch Proof Pin

P/N	Model NO.	Accepted Wire OD
AC-HA000815	PL18X-301-35	14.5±0.5
AC-HA000816	PL18Y-301-35	
AC-HA000817	PL18U-301-35	
AC-HA000818	PL18V-301-35	
AC-HA000819	PL18W-301-35	
AC-HA001283	PL18T-301-35	17.0±0.5
AC-HA000820	PL18X-301-50	
AC-HA000821	PL18Y-301-50	
AC-HA000822	PL18U-301-50	
AC-HA000823	PL18V-301-50	
AC-HA000824	PL18W-301-50	19.5±0.5
AC-HA001284	PL18T-301-50	
AC-HA000825	PL18X-301-70	
AC-HA000826	PL18Y-301-70	
AC-HA000827	PL18U-301-70	
AC-HA000828	PL18V-301-70	19.5±0.5
AC-HA000829	PL18W-301-70	
AC-HA001285	PL18T-301-70	

P/N	Model NO.	Accepted Wire OD
AC-HA000830	PL18X-300-35	14.5±0.5
AC-HA000831	PL18Y-300-35	
AC-HA000832	PL18U-300-35	
AC-HA000833	PL18V-300-35	
AC-HA000834	PL18W-300-35	
AC-HA001286	PL18T-300-35	17.0±0.5
AC-HA000835	PL18X-300-50	
AC-HA000836	PL18Y-300-50	
AC-HA000837	PL18U-300-50	
AC-HA000838	PL18V-300-50	
AC-HA000839	PL18W-300-50	19.5±0.5
AC-HA001287	PL18T-300-50	
AC-HA000840	PL18X-300-70	
AC-HA000841	PL18Y-300-70	
AC-HA000842	PL18U-300-70	
AC-HA000843	PL18V-300-70	19.5±0.5
AC-HA000844	PL18W-300-70	
AC-HA001288	PL18T-300-70	

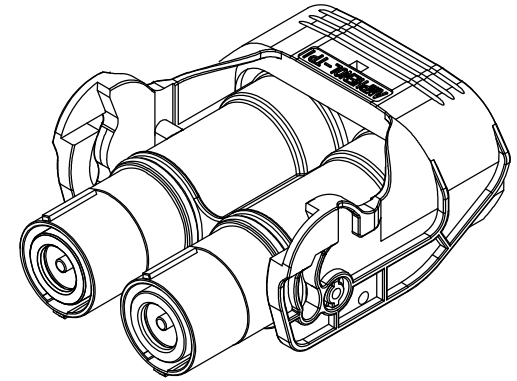
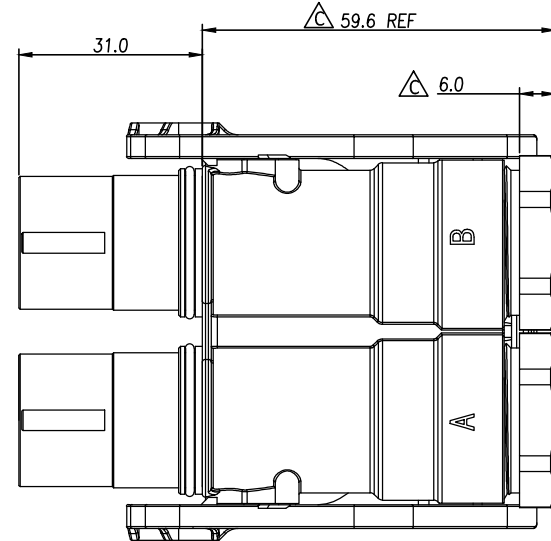
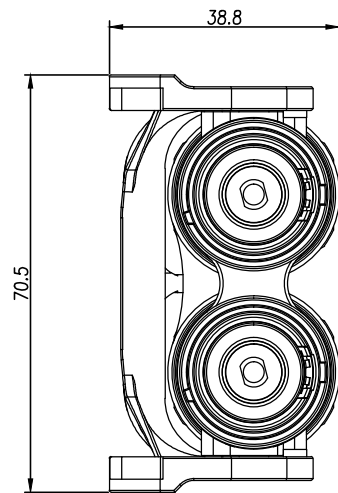
规格参数 (Spec.):

1. 工作温度 Operating temperature: -40° C~+125° C.
2. 额定电流 Current rating (Connector Only): 300 A.
3. 额定电压 Operating voltage: 1000 VDC.
4. 耐电压 Dielectric withstanding voltage: 5000 VDC.
5. 防护等级 Protection class: IP67 & IP2X.
6. 电磁屏蔽 Shielding.
7. 机械寿命 Mating cycle: 500 Min.
8. 带自动二次锁扣 Automatic secondary lock.
9. 带高压互锁 Electrical interlock (HVIL).
10. 配对插座 Mating receptacle: See drawing "PL00-300"

	Amphenol Technical Products International GZ					PART NAME:	
	第三角投影 THIRD ANGLE PROJECTION	页面 SHEET	幅面 SIZE	版次 REV.	比例 SCALE	PowerLok 10mm IPOS Plug Assy	
签名 SIGNATURE		日期 DATE		UNLESS OTHERWISE SPECIFIED		DWG NO:	
制图 DRAWN	RW	12/04/13		1) All dimensions are in metric (mm). 2) Tolerances are as follows:		PL18-300	
审核 CHECKED	GX	12/04/13		0 PL DEC ±1.00 1 PL DEC ±0.50 2 PL DEC ±0.20		CUST PART #:	
批准 APPROVAL	EC	12/04/13		Angles ±1°		N/A	
						CUST REV.	
						-	

THIS DRAWING IS SUPPLIED FOR INFORMATION ONLY. DESIGN FEATURES, SPECIFICATIONS AND PERFORMANCE DATA SHOWN HEREON ARE THE PROPERTY OF THE AMPHENOL CORPORATION. NO RIGHTS OF REPRODUCTION ARE IMPLIED. ALL DIMENSIONS ARE SUBJECT TO NORMAL MANUFACTURING VARIATIONS.

Customer Drawing



REVISIONS						
REV	ZONE	ECO	DESCRIPTION	DATE	BY	APPR
A	--	--	Updated	07/04/14	RW	EC
B	--	--	Add Touch Proof Pin	05/05/15	RW	EC
C	--	--	Rear nut increase 1mm, reduced inner diameter	09/08/15	RW	EC

Standard Part List (With HVIL)

P/N	Model NO.	Polarization
AC-HA000775	PL182X-301-35	X
AC-HA000776	PL182Y-301-35	Y
AC-HA000777	PL182X-301-50	X
AC-HA000778	PL182Y-301-50	Y
AC-HA000779	PL182X-301-70	X
AC-HA000780	PL182Y-301-70	Y

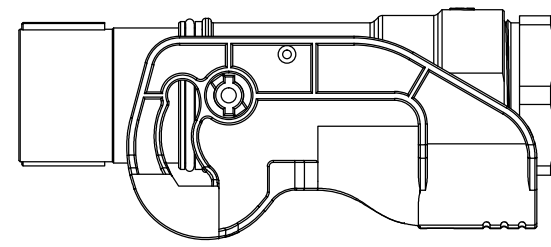
订购信息 Ordering Information

PL18 2 X - 30 1 - 70

键位及颜色 Key "X" Key "Y" Key	高压互锁 HVIL 0, 不带互锁 No HVIL 1, 带互锁 With HVIL	线缆大小 Cable Size "70"=70mm <sup>2</sup> "50"=50mm <sup>2</sup> "35"=35mm <sup>2</sup>
---------------------------------	--	---

Standard Part List (Without HVIL)

P/N	Model NO.	Polarization
AC-HA000787	PL182X-300-35	X
AC-HA000788	PL182Y-300-35	Y
AC-HA000789	PL182X-300-50	X
AC-HA000790	PL182Y-300-50	Y
AC-HA000791	PL182X-300-70	X
AC-HA000792	PL182Y-300-70	Y



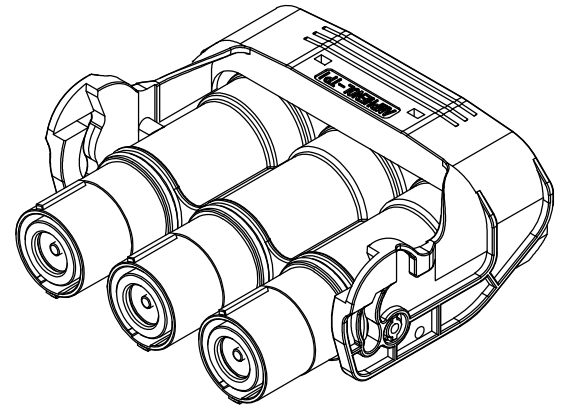
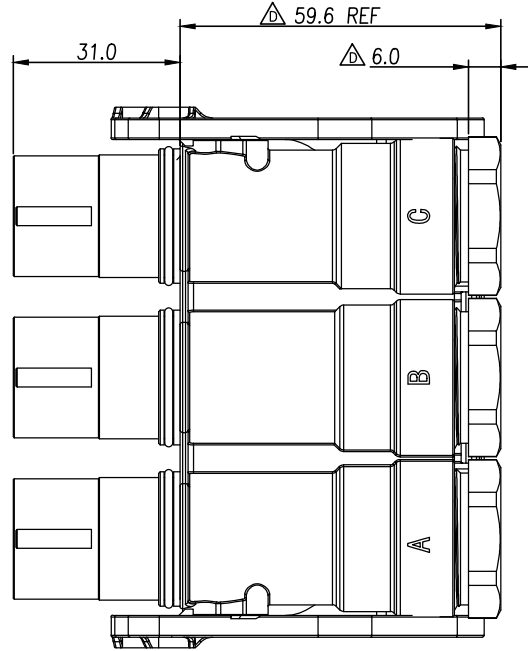
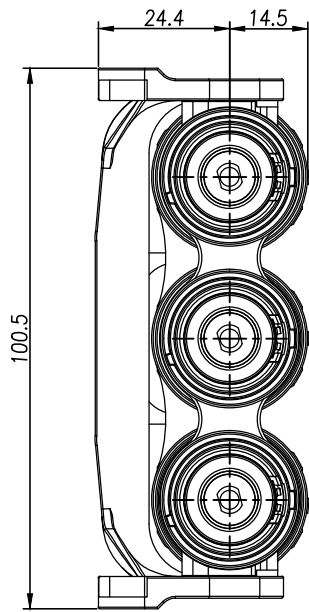
规格参数 (Spec.):

1. 工作温度 Operating temperature: -40° C~+125° C.
2. 额定电流 Current rating (Connector Only): 300 A.
3. 额定电压 Operating voltage: 1000 VDC.
4. 耐电压 Dielectric withstanding voltage: 5000 VDC.
5. 防护等级 Protection class: IP67 & IP2X.
6. 电磁屏蔽 Shielding.
7. 机械寿命 Mating cycle: 500 Min.
8. 带自动二次锁扣 Automatic secondary lock.
9. 带高压互锁 Electrical interlock (HVIL).
10. 对配插座见图纸 Mating receptacle see drawing: PL082-300.

	Amphenol Technical Products International GZ					PART NAME: PwrLok 10mm 2POS Plug Conn	
	第三角投影 THIRD ANGLE PROJECTION	页面 SHEET	幅面 SIZE	版次 REV.	比例 SCALE	DWG NO: PL182-300	
签名 SIGNATURE		日期 DATE		UNLESS OTHERWISE SPECIFIED		CUST PART #:	
制图 DRAWN	RW	02/28/14		1) All dimensions are in metric(mm).		PL182-300	
审核 CHECKED	GX	02/28/14		2) Tolerances are as follows:		CUST PART #: N/A	
批准 APPROVAL	EC	02/28/14		0 PL DEC ±1.00 1 PL DEC ±0.50 2 PL DEC ±0.20		CUST REV. -	
				Angles ±1°			

THIS DRAWING IS SUPPLIED FOR INFORMATION ONLY. DESIGN FEATURES, SPECIFICATIONS AND PERFORMANCE DATA SHOWN HEREON ARE THE PROPERTY OF THE AMPHENOL CORPORATION. NO RIGHTS OF REPRODUCTION ARE IMPLIED. ALL DIMENSIONS ARE SUBJECT TO NORMAL MANUFACTURING VARIATIONS.

Customer Drawing



REVISIONS						
REV	ZONE	ECO	DESCRIPTION	DATE	BY	APPR
A	--	--	INITIAL RELEASE	03/13/14	RW	EC
B	--	--	Updated	07/04/14	RW	EC
C	--	--	Add Touch Proof Pin	05/05/15	RW	EC
D	--	--	Rear nut increase 1mm, reduced inner diameter	09/08/15	RW	EC

订购信息 Ordering Information

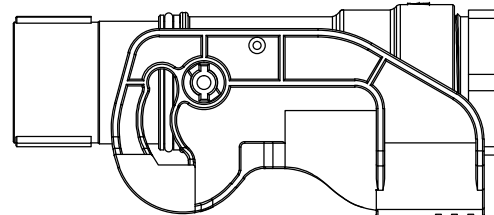
PL18	3	X	-	30	1	-	70
键位及颜色 Key		高压互锁 HVIL		线缆大小 Cable Size			
"X" Key		0, 不带互锁 No HVIL		"70"=70mm <sup>2</sup>			
"Y" Key		1, 带互锁 With HVIL		"50"=50mm <sup>2</sup>			
				"35"=35mm <sup>2</sup>			

Standard Part List (With HVIL)

P/N	Model NO.	Polarization
AC-HA001108	PL183X-301-35	X
AC-HA001109	PL183Y-301-35	Y
AC-HA001110	PL183X-301-50	X
AC-HA001111	PL183Y-301-50	Y
AC-HA001112	PL183X-301-70	X
AC-HA001113	PL183Y-301-70	Y

Standard Part List (With Out HVIL)

P/N	Model NO.	Polarization
AC-HA001114	PL183X-300-35	X
AC-HA001115	PL183Y-300-35	Y
AC-HA001116	PL183X-300-50	X
AC-HA001117	PL183Y-300-50	Y
AC-HA001118	PL183X-300-70	X
AC-HA001119	PL183Y-300-70	Y



规格参数 (Spec.):

1. 工作温度 Operating temperature: -40° C~+125° C.
2. 额定电流 Current rating (Connector Only): 300 A.
3. 额定电压 Operating voltage: 1000 VDC.
4. 耐电压 Dielectric withstanding voltage: 5000 VDC.
5. 防护等级 Protection class: IP67 & IP2X.
6. 电磁屏蔽 Shielding.
7. 机械寿命 Mating cycle: 50 Min.
8. 带自动二次锁扣 Automatic secondary lock.
9. 带高压互锁 Electrical interlock (HVIL).

	Amphenol Technical Products International GZ				
	第三角投影 THIRD ANGLE PROJECTION	页面 SHEET	幅面 SIZE	版次 REV.	比例 SCALE
签名 SIGNATURE	日期 DATE	UNLESS OTHERWISE SPECIFIED			DWG NO:
制图 DRAWN	RW	1) All dimensions are in metric (mm). 2) Tolerances are as follows:			PL183-300
审核 CHECKED	GK	0 PL DEC ±1.00 1 PL DEC ±0.50 2 PL DEC ±0.20			CUST PART #:
批准 APPROVAL	EC	Angles ±1°			N/A
					CUST REV.:
					-

单击下面可查看定价，库存，交付和生命周期等信息

[>>Amphenol\(安费诺\)](#)