

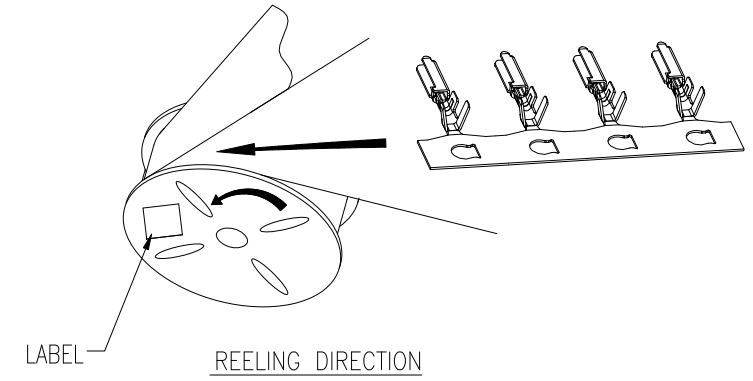
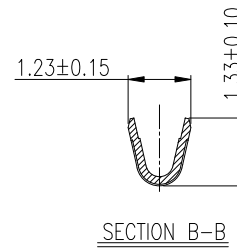
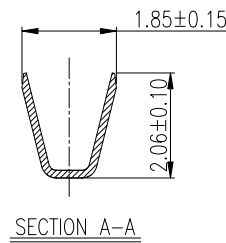
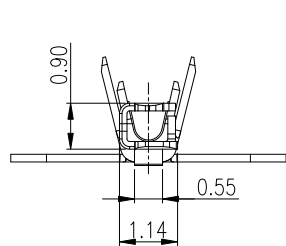
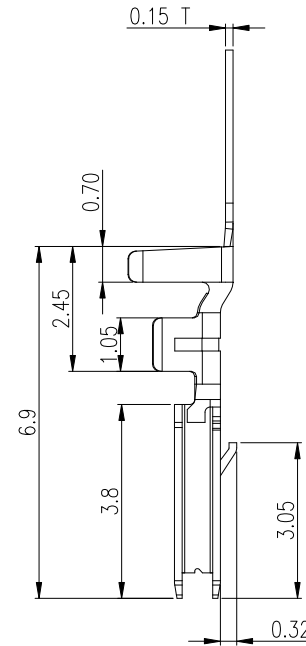
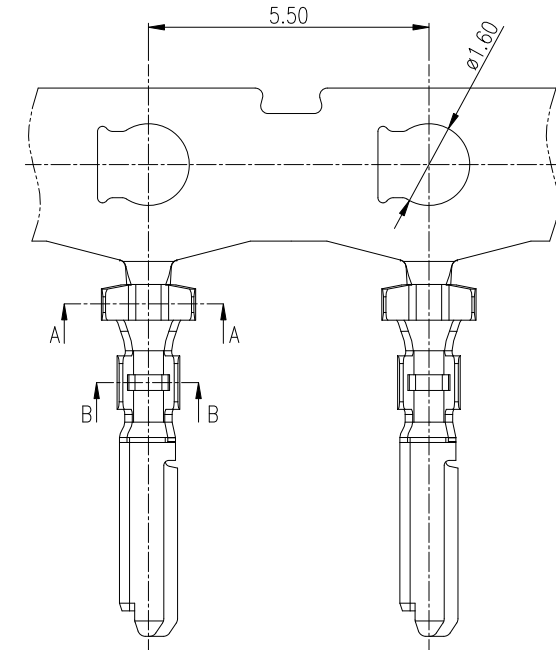
PRODUCT NUMBER  
10135176-00XLF

NOTE:

1. MATERIAL: COPPER ALLOY
2. PLATING: Ni UNDERPLATED, SEE P/N FOR DETAIL PLATING ON CONTACT AREA AND CRIMPING AREA
3. APPLICABLE WIRES: AWG#28 TO AWG#24, WITH INSULATION O.D.: 0.78mm TO 1.28mm
5. RoHS COMPLIANT
6. PART NUMBER SCHEME:  
10135176- 00 X LF

PLATING  
1: TIN OVERALL

7. THE TERMINAL IS USED WITH FCI HSG 10135175, AND MATE WITH FCI RECEPTACLE CONNECTOR 10135177.
8. PRODUCT SPECIFICATION: GS-12-1321
9. PACKAGE SPECIFICATION: GS-14-2471



mat'l. code		surface	tolerance	projection	product family
ltr		ecn no	dr	date	MINITEK 1.5mm WTB
A		TAI	2015-06-16		title
					MINITEK 1.5mm WIRE CONNECTOR, PLUG CRIMP TERMINAL
					scale
					dwg no
					sheet 1 of 1
					size
					A4
					type
					CUSTOMER Drawing
sheet index	revision sheet	A	1		

单击下面可查看定价，库存，交付和生命周期等信息

[>>Amphenol\(安费诺\)](#)