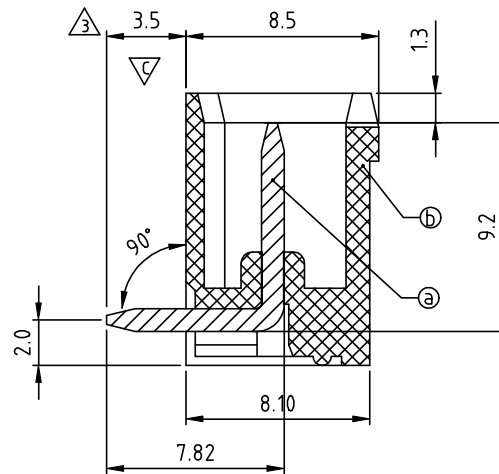


RECOMMENDED PCB LAYOUT



N = Number of poles
 Dim A = (N x 5.08) + 2.0
 Dim B = (N - 1) x 5.08

| | Dim A | Dim B |
|--------|-------|-------|
| 2-6p | ±0.15 | ±0.15 |
| 7-12p | ±0.25 | ±0.25 |
| 13-18p | ±0.30 | ±0.30 |
| 19-24p | ±0.40 | ±0.40 |

| SIGN | DATE | DESCRIPTION | APPROVER |
|------|------------|---|----------|
| △ | 8/16'06 | Added VDE and TUV standard | Steady |
| △ | 8/16'06 | Current rating (cULus) changed from 10A to 20A | Steady |
| △ | 1/20'07 | Dimension changed from 4.0 to 3.5 | Tony |
| △ | 1/20'07 | Soldering temperature changed from 245° to 250° | Tony |
| △ | 2009.10.21 | The material is changed from Brass to Copper | Jacke |
| △ | 2009.10.21 | The operating temperature is changed | Jacke |
| △ | 2009.10.21 | Remove the CSA certification | Jacke |
| △ | 2010.03.23 | The design is changed | Jacke |
| △ | 2012.11.14 | Change the electrical specification | Chen Bo |
| △ | 07/26-16 | Add the product number | Evan |

THIS IS CAD DRAWING, DO NOT REVISE MANUALLY!!!

Material:

- Item ③ Male contact pin: Copper Bright Tin plated over Nickel plated
- Item ④ Terminal(housing): Thermoplastic (UL94 V-0)

- △ Electrical: cULus /VDE /TUV
- Voltage rating: 300V/300V/300V
- Current rating: 20A/20A/20A
- Withstanding Voltage: 16 KV/2.5KV/2.5KV
- Operating temperature: -40°C to +115°C
- Soldering temperature: 260°C±5°C/5 Sec
- Safety Approval:
- Critical dimension:

OQ xx 5 4 x 1 xxxx G

- No. OF POLES: 02: 2 POLES, 24: 24 POLES
- COLOR: 0 Black (RAL9005), 2 Red (RAL3001/D), 3 Orange (RAL2011/P), 4 Yellow (RAL1018/A), 5 Green (RAL6018/T), 6 Blue (RAL5015/A), 8 Grey (RAL7035/D), 9 White (RAL1102), C Green (RAL6018/U)
- G RoHS compliant (lead<4%) In copper Alloy
- 0000: "@ " Logo (Standard)
- 000A: "ANYTEK" Mark
- 0091: "ANYTEK" Mark
- Any special item by customer request. please contact sales department.

| Amphenol ANYTEK | | | | CUSTOMER COPY | | | |
|---|--|------------------------------------|----------|---------------|--------------|--|------------|
| ALL RIGHTS RESERVED. REPRODUCTION OR ISSUE TO THIRD PARTIES IN ANY FORM WHATSOEVER IS NOT PERMITTED WITHOUT WRITTEN AUTHORITY FROM THE PROPRIETOR. PROPERTY OF ANYTEK TECHNOLOGY CO., LTD | | | | | | | |
| TITLE | | OQ 5.08mm 90° /Close Series 2p-24p | | | | | |
| PART NO. | | OQxx54x1xxxxG | | | DWG NO. | | 80Q0704 |
| APPROVED | | CHECKED | DESIGNED | DRAWN | CUST NO. | | Tolerance |
| | | | Evan | Chen Bo | | | X. ±0.50 |
| | | | 07/26-16 | 11/14'12 | | | X.X ±0.30 |
| | | | | | | | X.XX ±0.10 |
| | | | | | | | X° ±1° |
| | | | | | SHEET: 01/01 | | REV.: K |

单击下面可查看定价，库存，交付和生命周期等信息

[>>Amphenol\(安费诺\)](#)