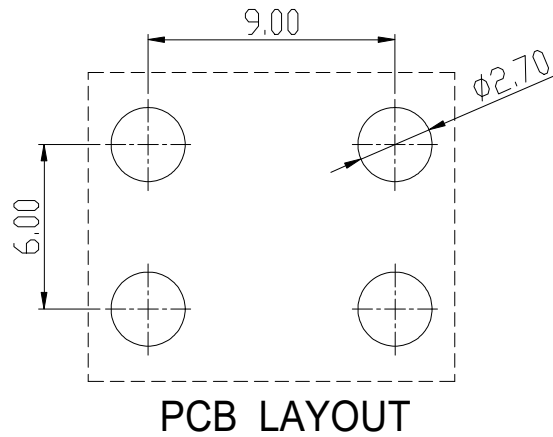
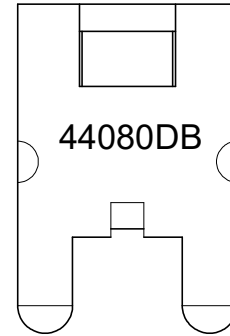
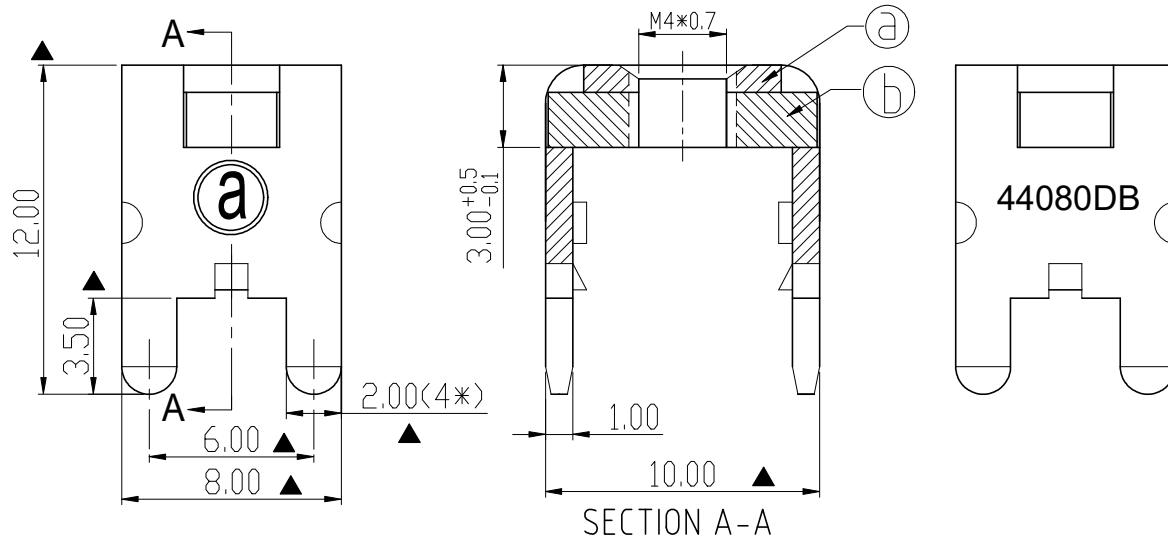


RoHS Compliant

Rev.	SIGN	DATE	DESCRIPTION	APPROVER
A0		2023.10.20		Guoxue
THIS IS CAD DRAWING, DO NOT REVISE MANUALLY!!!				

Technical Specification:

1. Current: 50A.
2. Torque: 13 lbf.in.
3. Mark "▲" is the Critical dimension.



(b)	Spacer	Steel , Matte Tin Plated	1PCS
(a)	terminal	Copper alloy, Matte Tin Plated	1PCS
ITEM	PART NAME	DESCRIPTION	Q`ty

Amphenol ANYTEK		CUSTOMER COPY			
ALL RIGHTS RESERVED. REPRODUCTION OR ISSUE TO THIRD PARTIES IN ANY FORM WHATSOEVER IS NOT PERMITTED WITHOUT WRITTEN AUTHORITY FROM THE PROPRIETOR. PROPERTY OF ANYTEK TECHNOLOGY CO., LTD					
TITLE	AMT44080DB terminal				
PART NO.	AMT0440080DB0000G	DWG NO.	8AMT0020		
APPROVED	CHECKED	DESIGNED	DRAWN	CUST NO.	Tolerance
		Guoxue 2023.10.20	Guoxue 2023.10.20		>30 ±0.60 6-30 ±0.40 0-6 ±0.30 ANGLES ±1°
					UNIT: mm SCALE: NONE REV.: A0
				SHEET: 01/01	

单击下面可查看定价，库存，交付和生命周期等信息

[>>Amphenol\(安费诺\)](#)