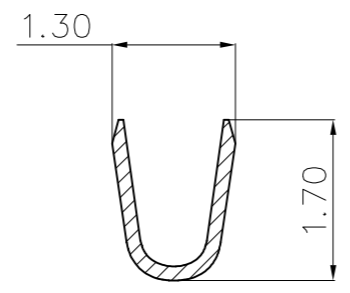
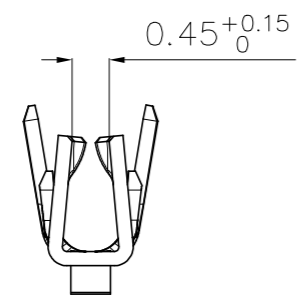
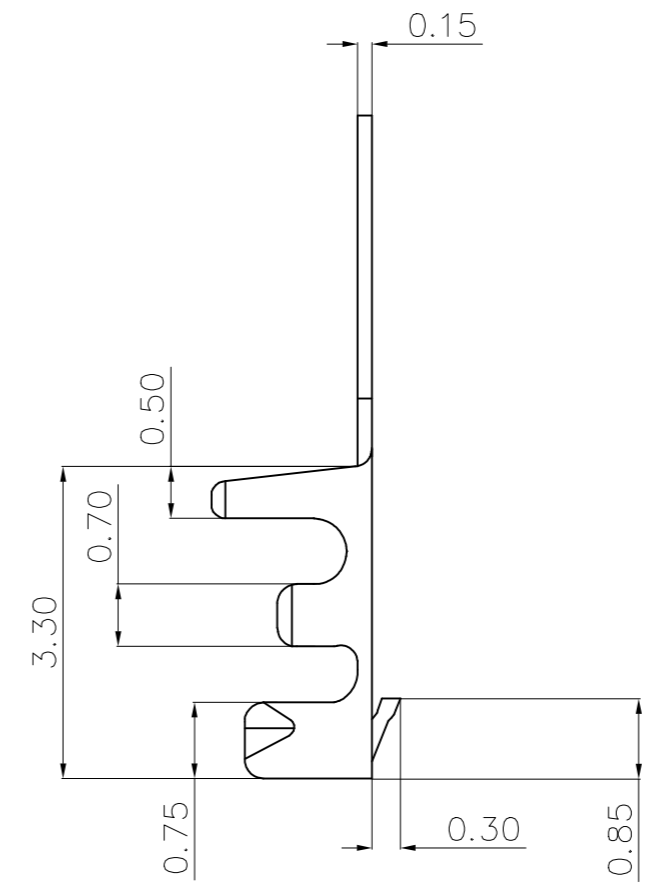
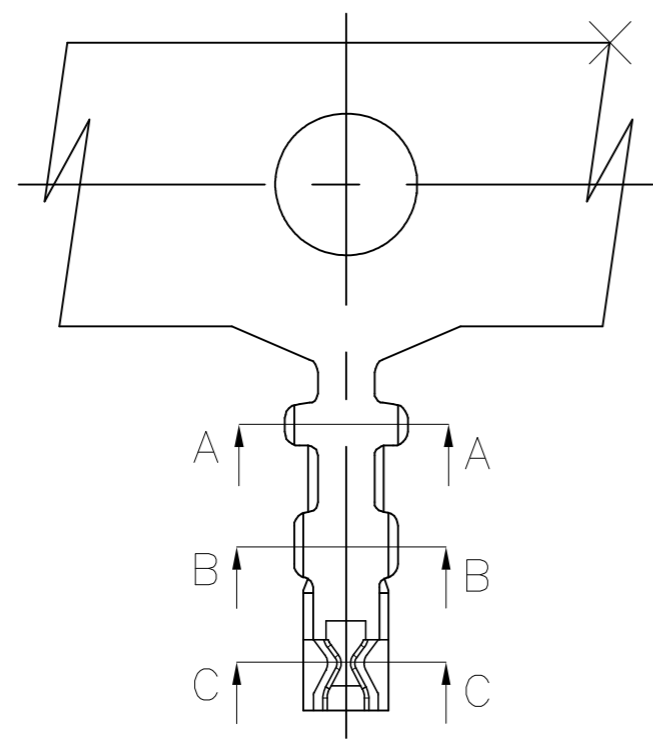
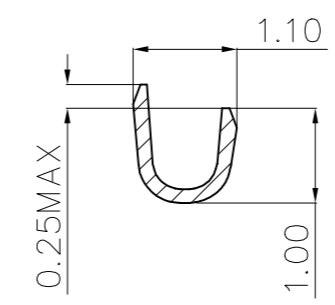


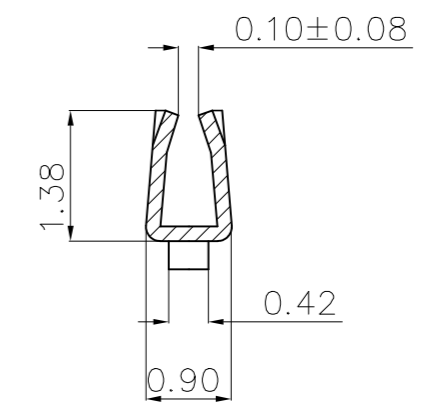
Amphenol FCI
© 2016 AFCI



SECTION: A-A
SCALE: 1:1



SECTION: B-B
SCALE: 1:1



SECTION: C-C
SCALE: 1:1

NOTE:
1. Stamping before plating
2. Mated with 10114826 housing
3. Product numbering:

Part No	Wire Range	Insulation O.D.	Material	Finish	Qty/reel
10114827-001LF	AWG#28-#32	1.00mm(max)	Phosphor Bronze	Matte Tin-plated	20,000pcs
10114827-002LF	AWG#28-#32	1.00mm(max)	Phosphor Bronze	Gold-flash	20,000pcs
10114827-003LF	AWG#28-#32	1.00mm(max)	Phosphor Bronze	Gold: 15u"	20,000pcs
10114827-004LF	AWG#28-#32	1.00mm(max)	Phosphor Bronze	Gold: 30u"	20,000pcs

mat'l. code		surface ISO 1302 ✓		tolerance ISO 406 ISO 1101		projection		product family MINITEK				
ltr	ecn no	dr	date	tolerances unless otherwise specified		mm		title				
C	ELX-N-36746	Jason	2020/04/15	angles	linear	.X±.25		WTB 1.25MM TERMINAL				
D	ELX-N-43687	YS	2022/01/14			.XX±.15						
E	ELX-N-47289	JH	2023/02/15			.XXX±.10						
		dr	Jason HSU	2010/12/01			scale 4:1		dwg no		sheet 1 of 1	size
		engr	Jason Wang	2020/04/16			Amphenol FCI		10114827		A3	
		chr	-	-					type		Product Customer Drawing	
sheet index		revision	E									
		sheet	1									

单击下面可查看定价，库存，交付和生命周期等信息

[>>Amphenol\(安费诺\)](#)