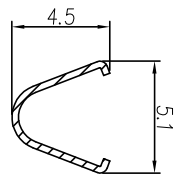
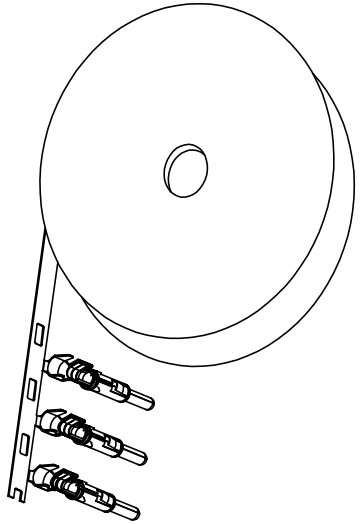
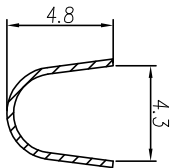


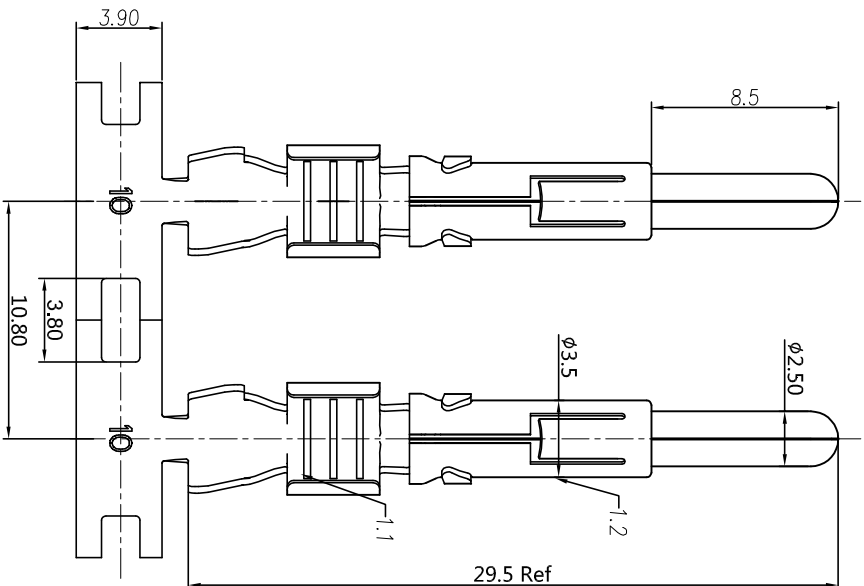
REVOLUTIONS				
REV	ECO	DESCRIPTION	DATE	BY
A1	-	RELEASED DRAWING	Sept-7-2016	Ben Tommy
A2	-	Updating Drawing	Oct-16-17	Tommy



SECTION C-C



SECTION D-D



- NOTES : (UNLESS OTHERWISE SPECIFIED)
- MATERIAL :
 - CONTACT BODY : COPPER ALLOY.
 - OUTER SPRING : STAINLESS STEEL.
 - SPECIFICATIONS :
 - CURRENT RATING : 23A MAX.
 - TERMINATION TYPE : CRIMPING.
 - WIRE RANGE : 4.0mm².
 - WIRE INSULATION DIA(MAX) : 4.3mm.
 - ROHS COMPLIANT.
 - ALL DIMENSIONS ARE FOR REFERENCE USE ONLY.

P/N	CONTACT PLATING(MATING AREA)
SP12A1T-10	TIN PLATING OVER NICKEL.
SP12A1F-10	GOLD FLASH PLATING OVER NICKEL.
SP12A1G10-10	10µ" GOLD PLATING OVER NICKEL.
SP12A1G15-10	15µ" GOLD PLATING OVER NICKEL.
SP12A1G30-10	30µ" GOLD PLATING OVER NICKEL.

QUANTITY	PART NUMBER	DESCRIPTION	ITEM
		MATERIALS LIST	
UNLESS OTHERWISE SPECIFIED 1) All dimensions are in millimeters. 2) Tolerances are as follows: 1 Pt. DEC 40.30 Fractions 1/16" 3 Pt. DEC 40.08 Fractions 1/16" 3) Note reference =			
PROCESS SPECIFICATIONS: MATERIAL SPECIFICATIONS: TEST SPECIFICATIONS: NEXT ASSY:		SIGNATURES DATE DRAWN: Hm 02/16/17 CHECKED: Jd 02/16/17 ENGINEER: Tommy 02/16/17 APPROVAL: Tommy 02/16/17 CUSTOMER:	
THIS DRAWING IS SUPERSEDED BY THE LATEST REVISIONS. SPECIFICATIONS AND PERFORMANCE DATA ARE THE PROPERTY OF AMPHENOL. NO PARTS OF THIS DRAWING ARE TO BE REPRODUCED OR TRANSMITTED IN ANY FORM OR BY ANY MEANS, ELECTRONIC OR MECHANICAL, INCLUDING PHOTOCOPYING, RECORDING, OR BY ANY INFORMATION STORAGE AND RETRIEVAL SYSTEM. ALL RIGHTS ARE RESERVED.		ECO-MATE PIN CONTACT, STAMPED, 4.0mm ² , 2.5mm CONTACT Amphenol Site Systems - www.amphenol-site.com 44724 Morley Drive Clinton Township, MI 48036	
SCALE: NONE	SIZE: B	TYPE: C-	REVISION: A2
		SP12A1XX-10	SHEET 1 OF 1

单击下面可查看定价，库存，交付和生命周期等信息

[>>Amphenol\(安费诺\)](#)