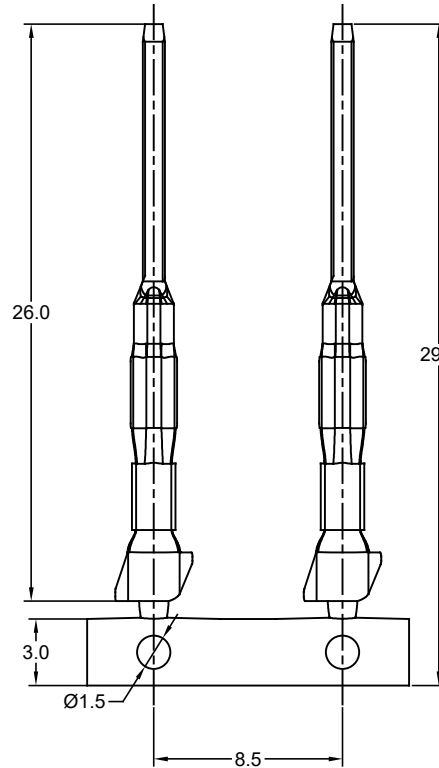
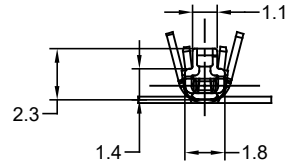
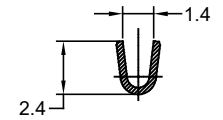
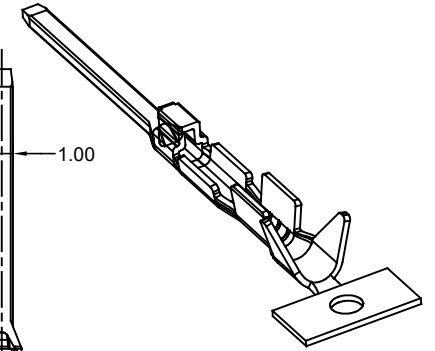


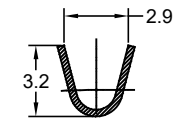
CONTACT ORIENTATION ON ROLL
(4000PCS/COIL)



REVISIONS					
REV	ECO	DESCRIPTION	DATE	BY	APPR
A1	-	RELEASED DRAWING	May-15-2019	Flan	Tommy
A2	-	UPDATE DRAWING	Aug-9-2019	Flan	Tommy
A3	-	UPDATE DRAWING	Jun-29-2020	Ronald	Tommy



SECTION B-B



SECTION C-C

NOTES: (UNLESS OTHERWISE SPECIFIED)

- MATERIAL:
 - CONTACT: COPPER ALLOY.
- SPECIFICATIONS:
 - CURRENT RATING: 5A MAX.
 - TERMINATION TYPE: CRIMPING.
 - WIRE RANGE: 20~22AWG.
 - WIRE INSULATION DIA(MAX): Ø1.8mm.
- RoHS COMPLIANT.
- ALL DIMENSIONS ARE FOR REFERENCE USE ONLY.

P/N	CONTACT PLATING (* MATING AREA ONLY)
SC000571T	TIN PLATING OVER NICKEL.
SC000571N	NICKEL PLATING OVER COPPER.
SC000571F	GOLD FLASH PLATING OVER NICKEL.
SC000571G5	* 5µ"GOLD PLATING OVER NICKEL.
SC000571G10	* 10µ"GOLD PLATING OVER NICKEL.
SC000571G15	* 15µ"GOLD PLATING OVER NICKEL.
SC000571G30	* 30µ"GOLD PLATING OVER NICKEL.

QUANTITY	PART NUMBER	DESCRIPTION	ITEM
MATERIALS LIST			
<small>UNLESS OTHERWISE SPECIFIED</small> 1) All dimensions are in metric(mm). 2) Tolerances are as follows: 1 PL DEC ±0.30 1 Fractions ±1/64 2 PL DEC ±0.15 Angles ±1° 3 PL DEC ±0.08 3) Note reference =			
SIGNATURES		DATE	
DRAWN: Ronald		Jun-29-2020	
CHECKED: Flan		Jun-30-2020	
ENGINEER:			
APPROVAL: Tommy		Jun-30-2020	
CUSTOMER:			
MATERIAL SPECIFICATIONS:			
PROCESS SPECIFICATIONS:			
NEXT ASSY:			
 Sine Systems - www.amphenol-sine.com 44724 Morley Drive Clinton Township, MI 48036			
DURALOK ATV, PIN CONTACT STAMPED, 20-22AWG			
SIZE	TYPE	DWG NO.	REVISION
B	C-	SC000571x	A3
SCALE:	NONE	SHEET	1 OF 1

TITLE: DURALOK ATV, PIN CONTACT, STAMPED, 20-22AWG
DWG NO: SC000571x
REV: A3
SHEET 1 OF 1

单击下面可查看定价，库存，交付和生命周期等信息

[>>Amphenol\(安费诺\)](#)