

10132797- AA B C D E F LF

AA	POSITION
01	2X05
02	2X10
03	2X15
04	2X20
05	2X25
06	2X30
08	2X40

B	DESCRIPTION
1	PLUG 1
2	PLUG 2
3	PLUG 3
4	PLUG 4
5	PLUG 5
6	PLUG 6
7	PLUG 7

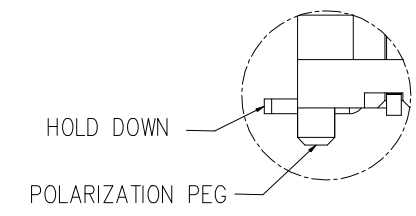
D	POLARIZATION PEG	HOLD DOWN
0	YES	YES
1	NO	YES
2	YES	NO
3	NO	NO

E	PACKAGING
0	TAPE AND REEL WITHOUT CAP

F	CUSTOMER CODE
BLANK	STANDARD P/N
V	APPLY FOR SPECIAL CUSTOMER

\*NOTE 6

C	PLATING: CONTACT AREA/SOLDER TAIL AREA
1	1~3u" Au ON CONTACT AREA OVER 50u" Ni Min GOLD FLASH ON SOLDER TAIL OVER 50u" Ni Min



Amphenol FCI

© 2016 AFCI

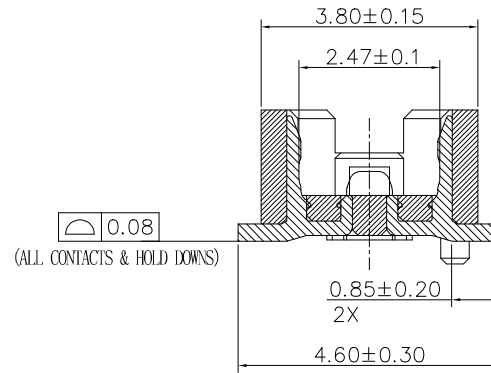
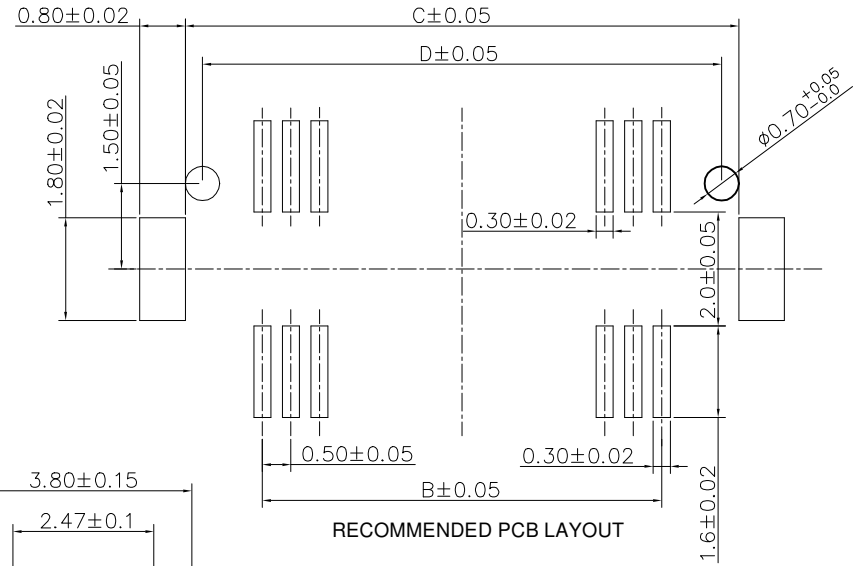
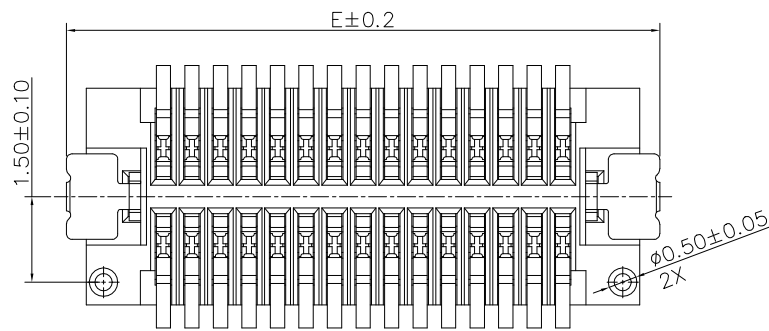
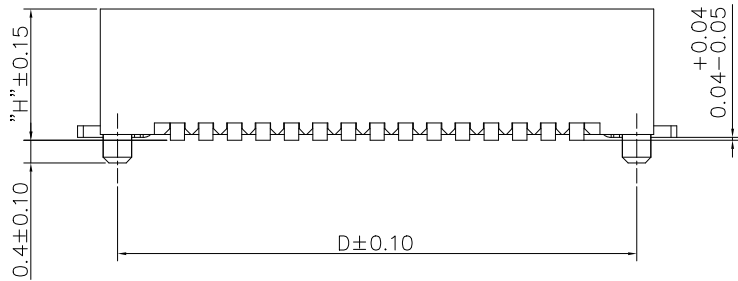
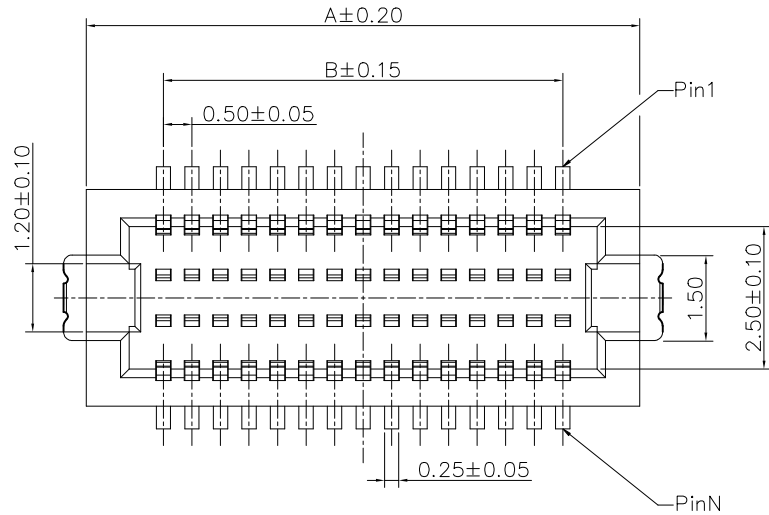
10132797 SERIES (PLUG SERIES)

COMBINATION OF MATED HEIGHT	10132797 SERIES (PLUG SERIES)			
	Plug 1	Plug 2	Plug 3	Plug 4
3.0~4.5mm				
5.0~6.0mm	Recep 1			
	Recep 2			
	Plug 5	Plug 6	Plug 7	

NOTE:

- MATERIAL:  
HOUSING: THERMOPLASTIC BLACK UL94V-0  
TERMINAL: COPPER ALLOY  
HOLD DOWN: COPPER ALLOY
- PLATING:  
TERMINAL: 1~3u" Au ON CONTACT AREA OVER 50u" Ni Min  
GOLD FLASH ON SOLDER TAIL OVER 50u" Ni Min  
HOLD DOWN: 100u" Tin Min ON SOLDER TAIL OVER 50u" Ni Min
- SEE GS-12-1298 FOR PRODUCT SPEC.
- PACKAGING: TAPE AND REEL WITHOUT CAP.
- THIS PRODUCT MEETS THE EUROPEAN UNION DIRECTIVES AND OTHER COUNTRY REGULATIONS AS DESCRIBED IN GS-22-008.
- 80 PIN IS OPTIONAL FOR ONLY PLUG 1.

mat'l. code		surface ISO 1302 ✓	tolerance ISO 406 ISO 1101	projection	product family Bergstak
ltr	ecn no	dr	date	tolerances unless otherwise specified	title 0.5mm PITCH BTB CONNECTOR PLUG
E	ELX-N-36246-1	BY	2020/03/10	angles linear	
				0°±2'	mm
				.0±.2	scale 1:1
				.00±.15	Amphenol FCI
				.000±.10	dwg no 10132797
		dr	Y-Y Bao	2020/03/10	sheet 1 of 3
		engr	Y-Y Bao	2020/03/10	size A3
		chr	Li-Qing Lei	2020/03/10	type Product Customer Drawing
		appd	Tim Yao	2020/03/10	
sheet index	revision sheet	E	1/3		

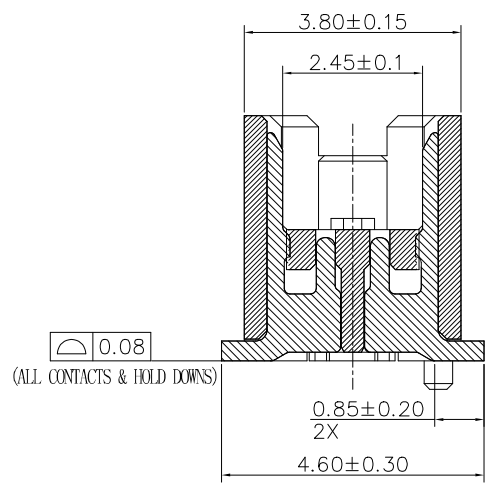
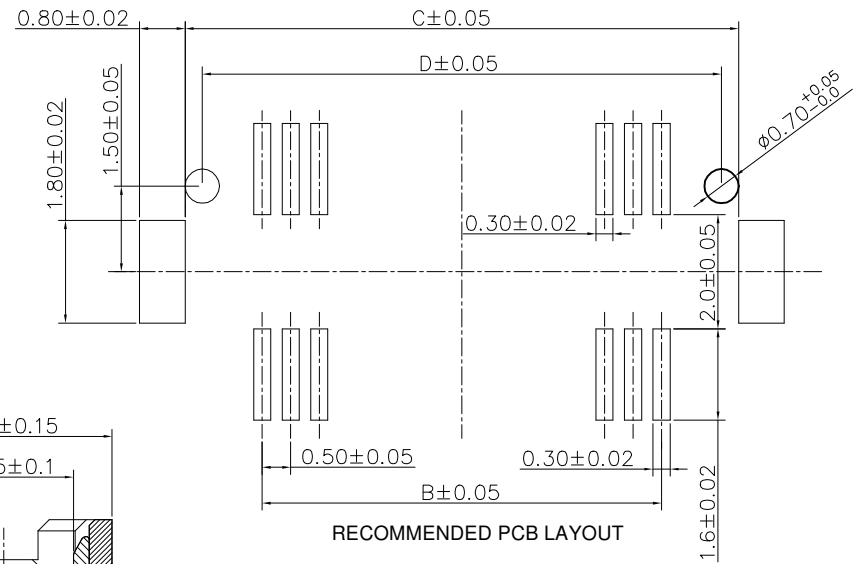
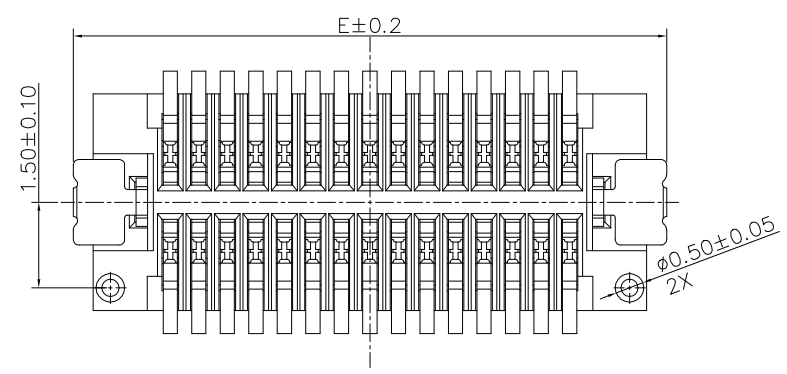
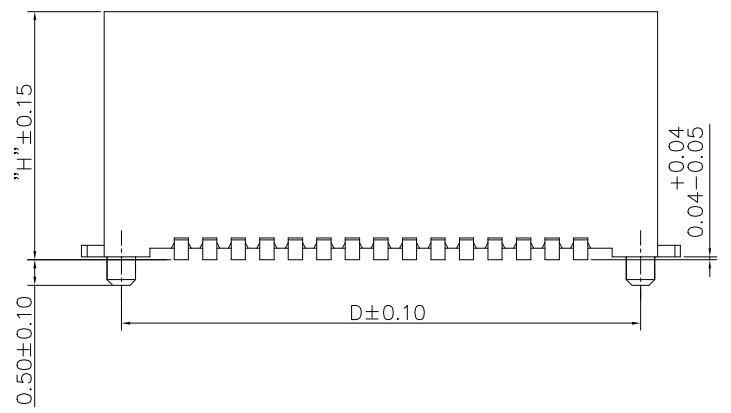
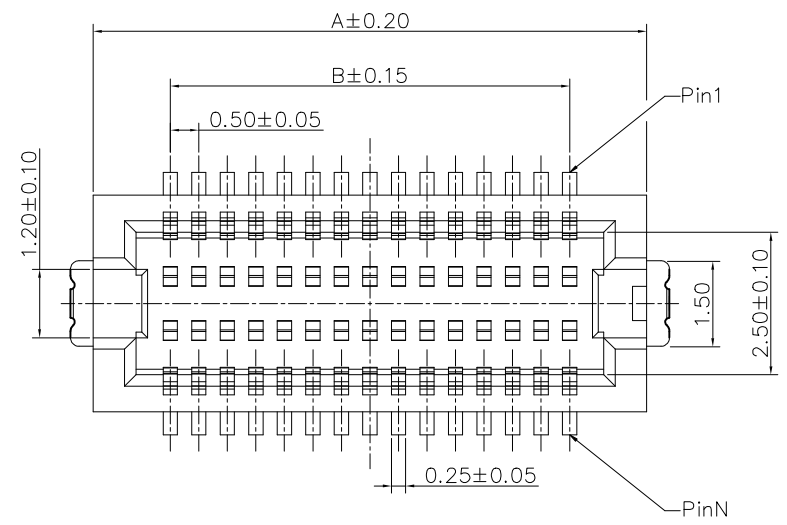


TYPE	"H"
PLUG 1	2.30
PLUG 2	2.80
PLUG 3	3.30
PLUG 4	3.80

pin.No.	A	B	C	D	E
10	4.70	2.00	4.70	4.10	5.50
20	7.20	4.50	7.20	6.60	8.00
30	9.70	7.00	9.70	9.10	10.50
40	12.20	9.50	12.20	11.60	13.00
50	14.70	12.00	14.70	14.10	15.50
60	17.20	14.50	17.20	16.60	18.00
80	22.20	19.50	22.20	21.60	23.00

PLUG 1~4

mat'l. code		surface ISO 1302 ✓	tolerance ISO 406 ISO 1101	projection	product family Bergstak	
ltr	ecn no	dr	date	tolerances unless otherwise specified		title
E	-	BY	2020/03/10	angles linear	.0±.2	0.5mm PITCH BTB CONNECTOR PLUG
				0°±2'	.00±.15	
					.000±.10	
		dr	Y-Y Bao	2020/03/10	scale 1:1	dwg no
		engr	Y-Y Bao	2020/03/10		sheet 2 of 3
		chr	Li-Qing Lei	2020/03/10		size
		appd	Tim Yao	2020/03/10		A3
sheet index	revision sheet	E	2/3			type Product Customer Drawing



pin.No.	A	B	C	D	E
10	4.70	2.00	4.70	4.10	5.50
20	7.20	4.50	7.20	6.60	8.00
30	9.70	7.00	9.70	9.10	10.50
40	12.20	9.50	12.20	11.60	13.00
50	14.70	12.00	14.70	14.10	15.50
60	17.20	14.50	17.20	16.60	18.00

TYPE	"H"
PLUG 5	4.30
PLUG 6	4.80
PLUG 7	5.30

PLUG 5~7

mat'l. code		surface ISO 1302 ✓		tolerance ISO 406 ISO 1101		projection		product family Bergstak	
ltr	ecn no	dr	date	tolerances unless otherwise specified		mm		title	
E	-	BY	2020/03/10	angles	linear	mm		0.5mm PITCH BTB CONNECTOR PLUG	
				0°±2'		scale 1:1		dwg no	
				dr	Y-Y Bao	2020/03/10	Amphenol FCI		sheet 3 of 3
				engr	Y-Y Bao	2020/03/10	10132797		size A3
				chr	Li-Qing Lei	2020/03/10	type Product Customer Drawing		
				appd	Tim Yao	2020/03/10			
sheet index	revision sheet	E	1/3						

单击下面可查看定价，库存，交付和生命周期等信息

[>>Amphenol\(安费诺\)](#)