

REVISIONS			
REV	DESCRIPTION, ECN, EAR NO.	DATE	APP'D
B	PROPOSAL DRAWING	MAY19/15	L.CHAN
C	ADD VIEW OF RECOMMENDED PANEL	JAN26/17	L.CHAN
D	UPDATE BACK WALL OF SHIELD	FEB16/17	L.CHAN

NOTES:

**ELECTRICAL:**

- VOLTAGE RATING: 125 VAC.
- CURRENT RATING: 1.25 AMP.
- INSULATION RESISTANCE: 500 MEGAOHMS MIN.
- DIELECTRIC STRENGTH: 1000 VAC RMS 60Hz, 1 MIN.
- CATEGORY 6A CHARACTERISTIC:

FREQUENCY MHz	NEAR-END CROSS TALK dB, Min.	RETURN LOSS dB, Min.	INSERTION LOSS dB, Max.
1.0	75.0	30.0	0.10
4.0	75.0	30.0	0.10
8.0	75.0	30.0	0.10
10.0	74.0	30.0	0.10
16.0	69.9	30.0	0.10
20.0	68.0	30.0	0.10
25.0	66.0	30.0	0.10
31.25	64.1	30.0	0.11
62.5	58.1	30.0	0.16
100.0	54.0	28.0	0.20
200.0	48.0	22.0	0.28
250.0	46.0	20.0	0.32
300.0	42.9	18.5	0.35
400.0	37.9	16.0	0.40
500.0	34.0	14.0	0.45

**MECHANICAL:**

- SHIELD: STAINLESS STEEL, WITH TIN-DIP ON SOLDER TABS.
- HOUSING: HIGH TEMP THERMOPLASTIC. UL 94V-0.
- CONTACT: COPPER ALLOY  
SELECTIVE GOLD PLATING FOR MATING SURFACE,  
50u" NICKEL UNDERPLATE  
100u" MATTE TIN PLATING ON CONTACT SOLDER TAIL.

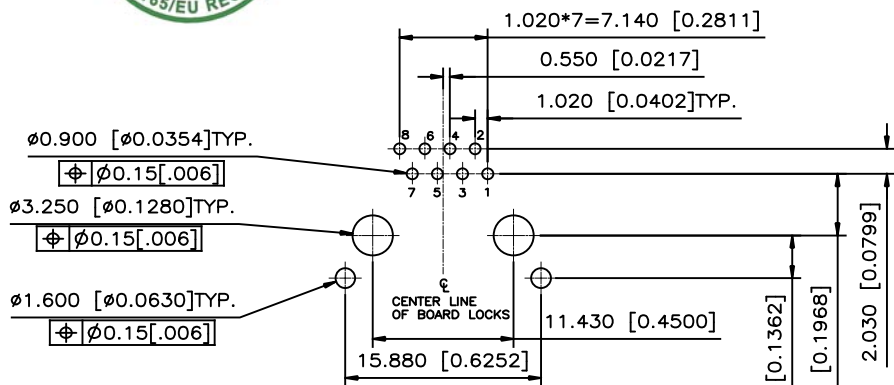
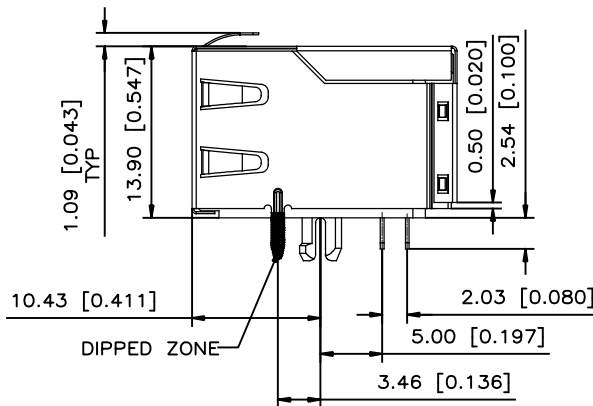
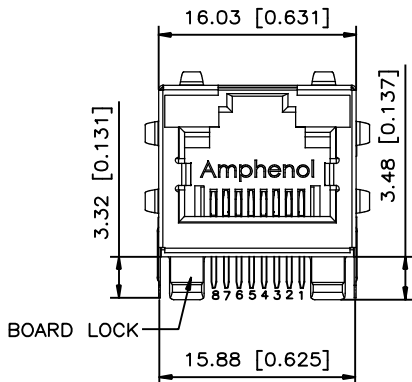
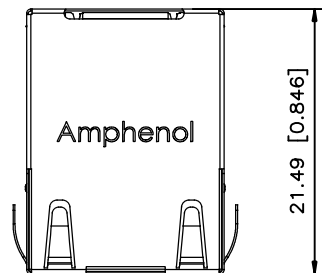
**ENVIRONMENTAL:**

- STORAGE: -40° TO +85°.
  - OPERATION: -40° TO +85°.
- MATES WITH MODULAR PLUG CONFORMING TO TIA-1096 STANDARD.  
RECOMMENDED SOLDER PROCESS: WAVE SOLDER, PEAK TEMPERATURE  
260° FOR 10 SECOND.

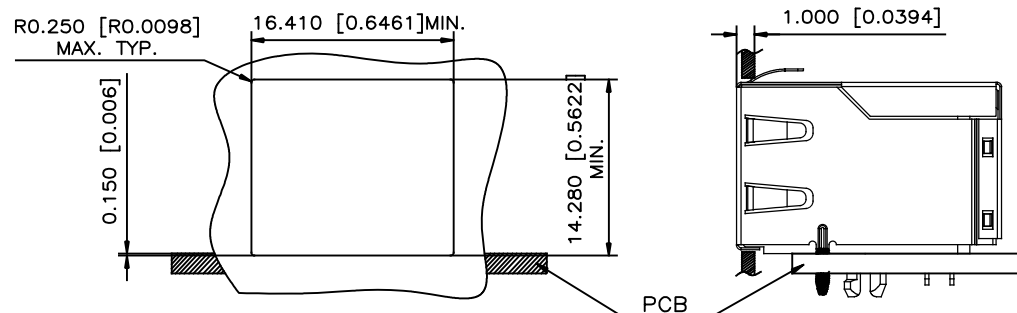
AMPHENOL PART NUMBER: RJE60-188-5X01

GOLD PLATING OPTION

- 1=6u" GOLD PLATING
- 2=15u" GOLD PLATING
- 3=30u" GOLD PLATING
- 4=50u" GOLD PLATING



RECOMMENDED PCB HOLE LAYOUT  
SEEN FROM COMPONENT SIDE  
TOLERANCE: ±0.05 [0.002]



RECOMMENDED PANEL CUTOUT

UNLESS SPECIFIED OTHERWISE	DRAWN	KELVIN TANG	MAY 19/14
PRIMARY UNITS MILLIMETERS	CHECKED	LCHAN	MAY 19/14
SECONDARY INCHES	M.E. APP'D	A.CHAN	MAY 19/14
REFERENCE IN PARENTHESES	Q.A. APP'D		
GENERAL TOLERANCES FOR MM	DWG APP'D	A.GREEN	MAY 19/14
1 DECIMAL PLACE ±0.5	ENG. REL. NO.		
2 DECIMAL PLACES ±0.38	REF.		
3 DECIMAL PLACES ±0.10	THIRD ANGLE PROJECTION		

Amphenol Canada Corp.  
www.amphenolcanada.com

MODULAR JACK, SINGLE PORT, 8P8C,  
SHIELDED, TAB UP TYPE WITHOUT LED,  
CAT 6A - RoHS COMPLIANT

DWG NO.	P-RJE60-188-5X01	REV	D
CODE ID NO.	03554	DWG SIZE	C
SCALE	FIT	SHEET	1 OF 1

单击下面可查看定价，库存，交付和生命周期等信息

[>>Amphenol\(安费诺\)](#)