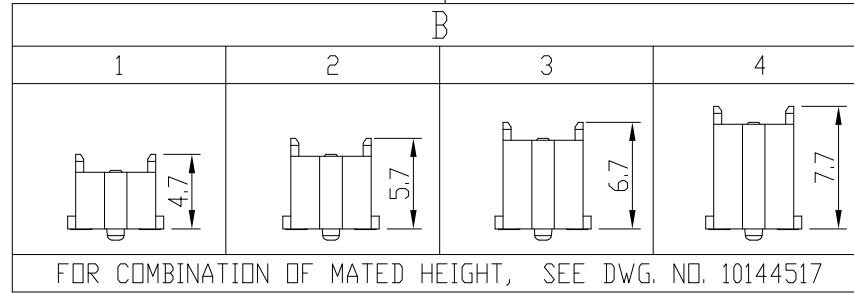


10144518- AA B C D E FF

AA	NO. OF POSITIONS
02	2X10
04	2X20
06	2X30
08	2X40
10	2X50
12	2X60

E	PACKAGING
2	T&R WITH METAL CAP
3	T&R WITHOUTL CAP
6	T&R WITH KAPTON TAPE

D	PEG	HOLD DOWN
0	YES	NO
2	NO	NO



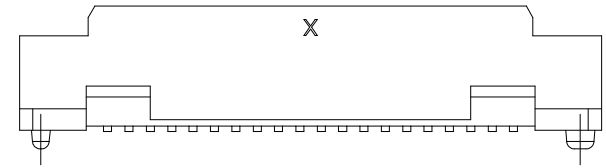
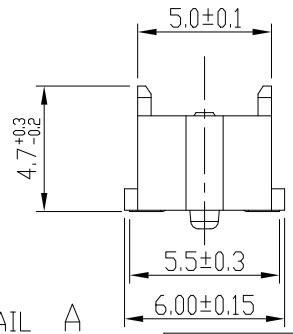
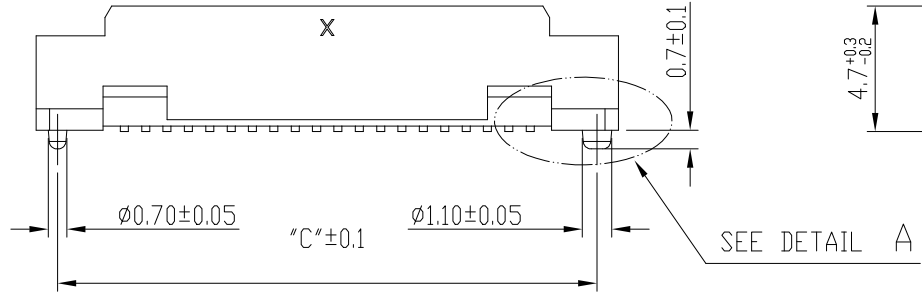
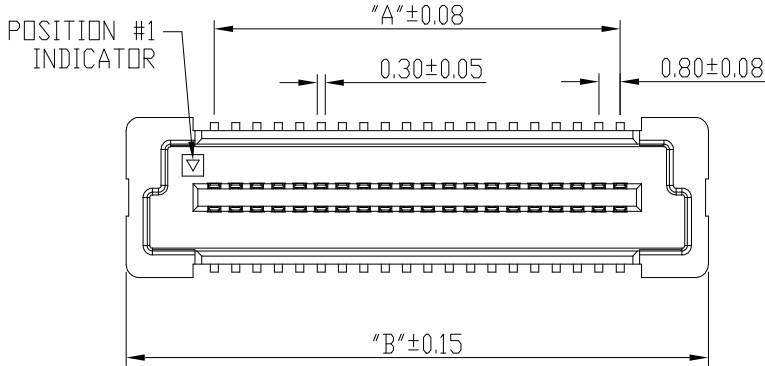
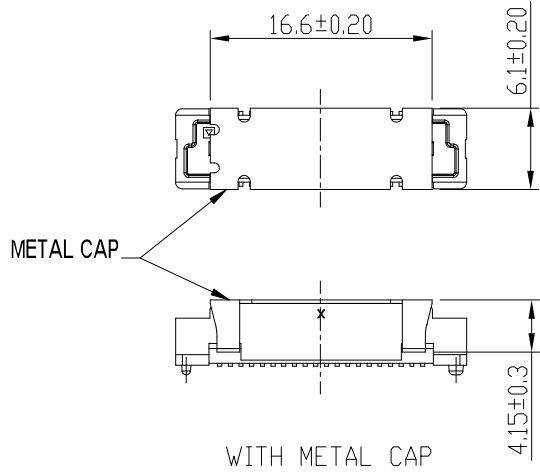
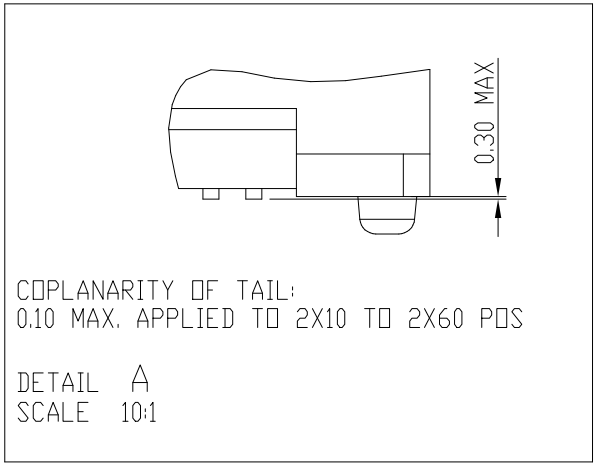
C	PLATING	FF
8	GOLD FLASH (0.05um MIN) ON CONTACT AREA ; PURE MATT TIN 2.5um MIN ON SOLDER TAIL; NICKEL UNDERPLATE OVERALL 1.27um. (LEADFREE PLATING)	LF

NOTE:

- MATERIAL:
HOUSING: G.F. LCP, NATURAL, UL94-V0
TERMINAL: COPPER ALLOY
- PLATING: AS SHOWN IN TABLE.
- SEE GS-12-1424 FOR PRODUCT SPEC.
- THIS PRODUCT MEETS THE EUROPEAN UNION DIRECTIVES AND OTHER COUNTRY REGULATIONS AS DESCRIBED IN GS-22-008.
- THE HOUSING WILL WITHSTAND EXPOSURE UP TO 260~ PEAK TEMPERATURE FOR 30 SECONDS IN A CONVECTION, INFRA-RED OR VAPOR PHASE REFLOW OVEN.

mat'l. code				surface <input checked="" type="checkbox"/> ISO 1302			tolerance <input checked="" type="checkbox"/> ISO 406			projection <input checked="" type="checkbox"/> ISO 1101		product family	
ltr				tolerances unless otherwise specified			mm		title		BERGSTAK		
H	ELX-N-46742	Alan	12/12/22	angles	linear	.0±.2	← mm →		PLUG ASSY				
B	ELX-N-28149	Bob	10/13/17			.00±.15			BERGSTAK 0.8MM				
C	ELX-N-32751	Bob	02/22/19	0°±3°		.000±.10	scale 1:1		dwg no				
D	ELX-N-35214	Bob	10/28/19	dr	Bob Gu	07/05/17			sheet 1 of 6				
E	ELX-N-44249	Alan	03/24/22	engr	Alan Ni	09/16/22			size				
F	ELX-N-45652	Alan	08/16/22	chr	LQ Lei	09/16/22			10144518				
G	ELX-N-45723	Alan	08/24/22	appd	Tim Yao	09/16/22			A3				
sheet				revision		A B C D E F G H		type		Product Customer Drawing			
index				sheet		1~6 1~6 3 1 1 5 1~6							

PRODUCT NO.	NO. OF POSITION	DIMENSION		
		A	B	C
10144518-021***	2X10	7.2	13.8	12.2
10144518-041***	2X20	15.2	21.8	20.2
10144518-061***	2X30	23.2	29.8	28.2
10144518-081***	2X40	31.2	37.8	36.2
10144518-101***	2X50	39.2	45.8	44.2
10144518-121***	2X60	47.2	53.8	52.2



PLUG 1

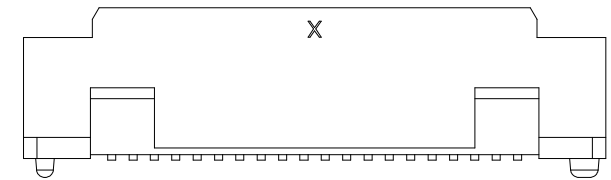
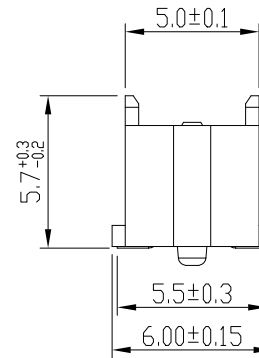
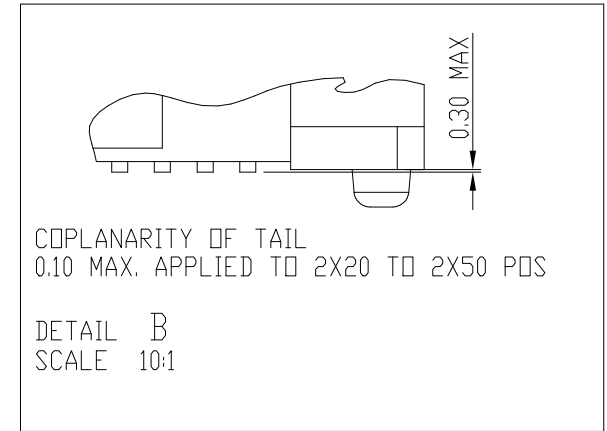
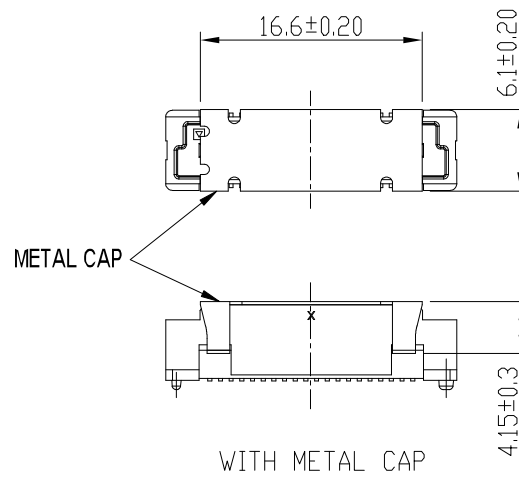
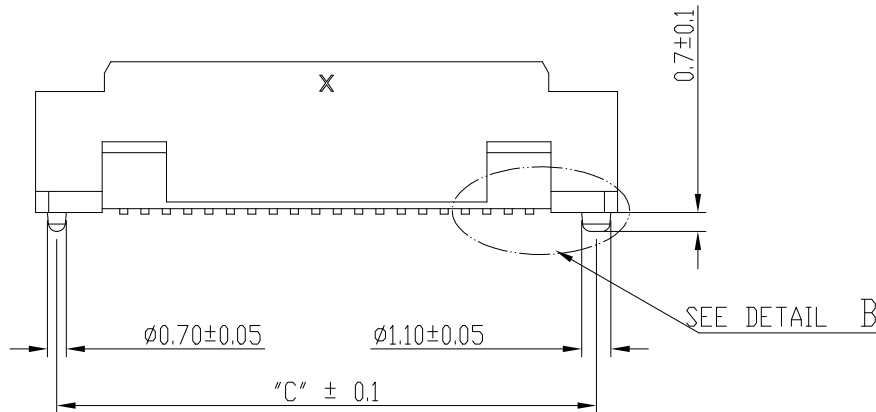
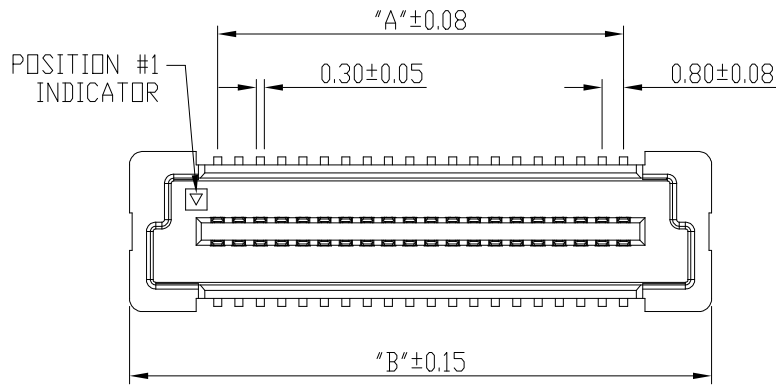
mat'l. code		surface ISO 1302 ✓		tolerance ISO 406 ISO 1101		projection		product family	
ltr		ecn no		dr		date		BERGSTAK	
H				tolerances unless otherwise specified		mm		title	
				angles linear		scale 1:1		PLUG ASSY	
				0°±3'				BERGSTAK 0.8MM	
				dr		Bob Gu 07/05/17		dwg no	
				enr		Alan Ni 09/16/22		sheet 2 of 6	
				chr		LQ Lei 09/16/22		size	
				appd		Tim Yao 09/16/22		A3	
sheet index		revision sheet		D		E		type	
3		1		1		5		Product Customer Drawing	

Amphenol FCI

© 2016 AFCI



PRODUCT NO.	NO. OF POSITION	DIMENSION		
		A	B	C
10144518-042***	2X20	15.2	21.8	20.2
10144518-062***	2X30	23.2	29.8	28.2
10144518-082***	2X40	31.2	37.8	36.2
10144518-102***	2X50	39.2	45.8	44.2



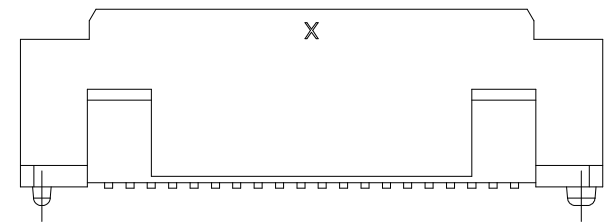
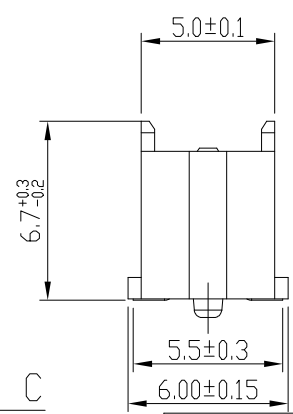
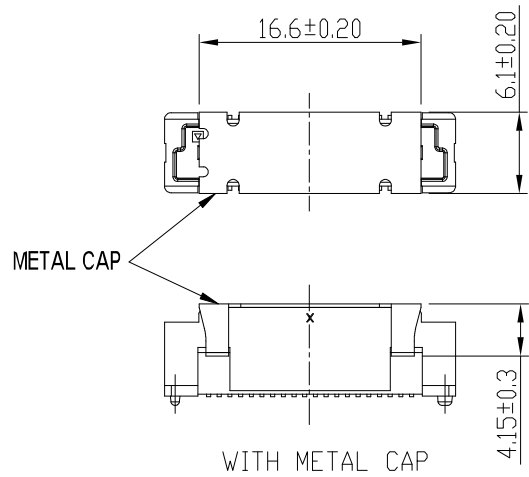
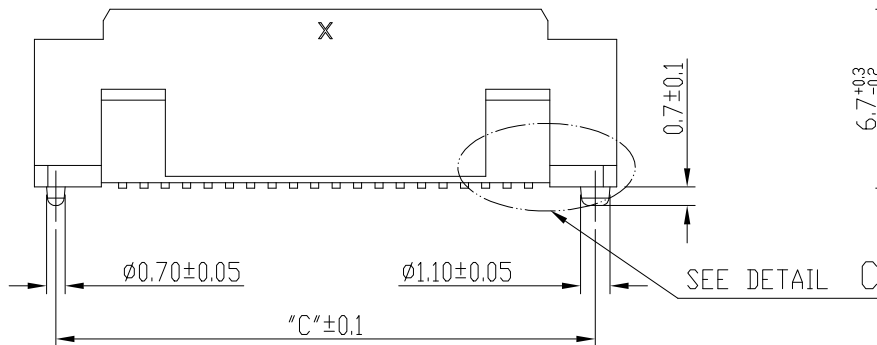
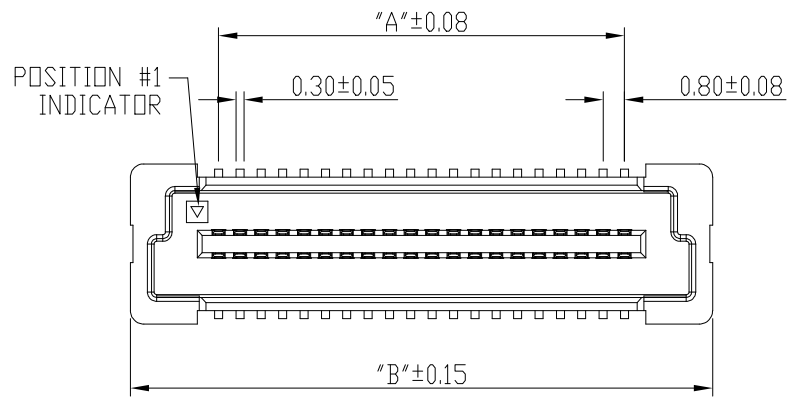
PLUG 2

mat'l. code		surface ISO 1302 ✓		tolerance ISO 406 ISO 1101		projection		product family BERGSTAK	
ltr	ecn no	dr	date	tolerances unless otherwise specified		mm		title	
H				angles	linear	scale 1:1		PLUG ASSY BERGSTAK 0.8MM	
				0°±3'	.0±.2 .00±.15 .000±.10			dwg no sheet 3 of 6 size	
				dr	Bob Gu	07/05/17	Amphenol FCI		10144518 A3
				enr	Alan Ni	09/16/22			
				chr	LQ Lei	09/16/22			
				appd	Tim Yao	09/16/22			
sheet index	revision sheet	D	E	F	G	H	type Product Customer Drawing		
3	1	1	5	1~6					

Amphenol FCI

© 2016 AFCI

PRODUCT NO.	NO. OF POSITION	DIMENSION		
		A	B	C
10144518-023***	2X10	7.2	13.8	12.2
10144518-043***	2X20	15.2	21.8	20.2
10144518-063***	2X30	23.2	29.8	28.2
10144518-083***	2X40	31.2	37.8	36.2
10144518-103***	2X50	39.2	45.8	44.2



COPLANARITY OF TAIL:
0.10 MAX. APPLIED TO 2X10 TO 2X50
PDS

DETAIL C
SCALE 10:1

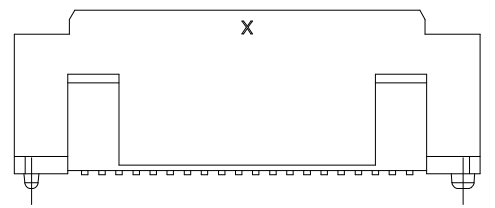
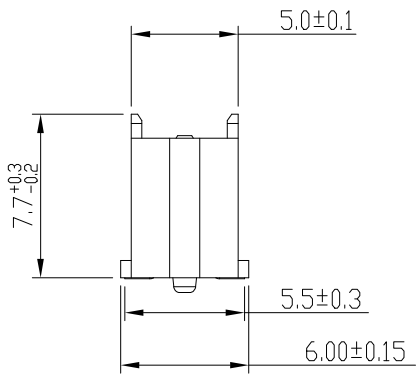
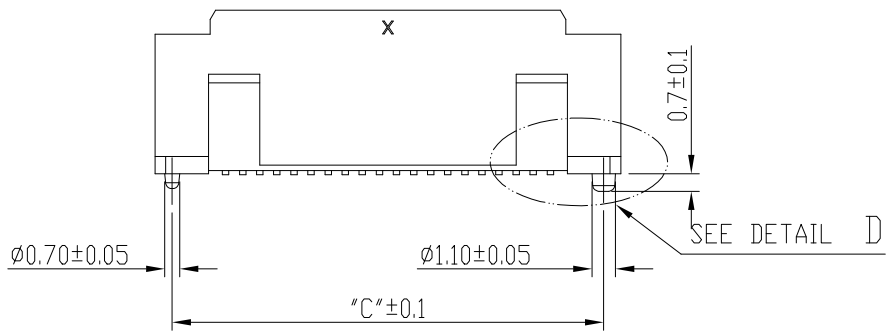
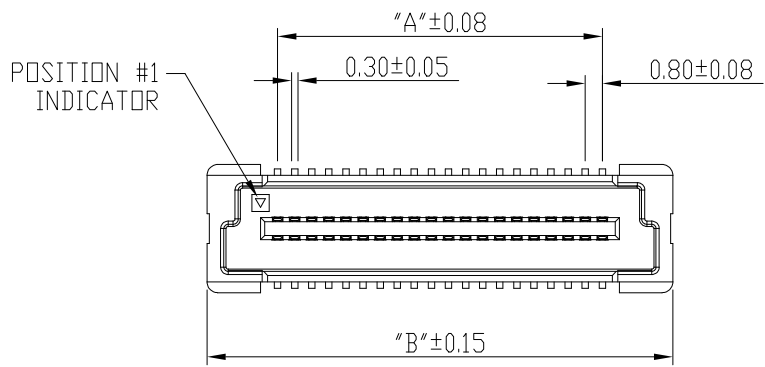
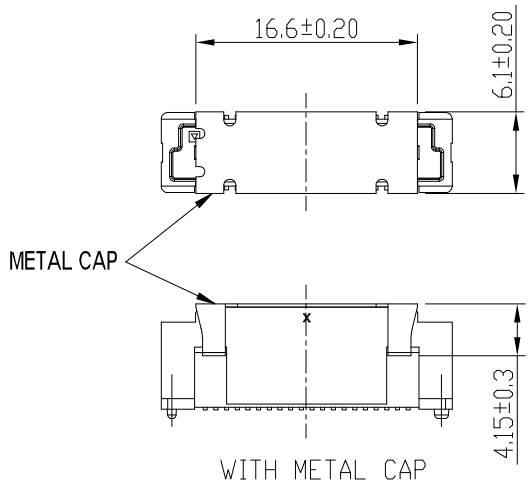
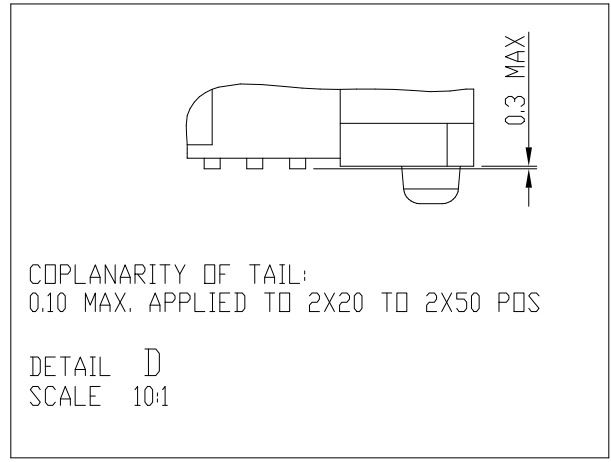
PLUG 3

mat'l. code		surface ISO 1302 ✓		tolerance ISO 406 ISO 1101		projection		product family BERGSTAK	
ltr	ecn no	dr	date	tolerances unless otherwise specified		title		BERGSTAK	
H				angles	linear	mm		PLUG ASSY BERGSTAK 0.8MM	
				0°±3'	.0±.2 .00±.15 .000±.10	scale 1:1		dwg no sheet 4 of 6 size	
				dr	Bob Gu	07/05/17	Amphenol FCI		10144518 A3
				enr	Alan Ni	09/16/22	type Product Customer Drawing		
				chr	LQ Lei	09/16/22			
				appd	Tim Yao	09/16/22			
sheet index	revision sheet	D	E	F	G	H			
		3	1	1	5	1~6			

Amphenol FCI

© 2016 AFCI

PRODUCT NO.	NO. OF POSITION	DIMENSION		
		A	B	C
10144518-044***	2X20	15.2	21.8	20.2
10144518-064***	2X30	23.2	29.8	28.2
10144518-084***	2X40	31.2	37.8	36.2
10144518-104***	2X50	39.2	45.8	44.2
10144518-124***	2X60	47.2	53.8	52.2



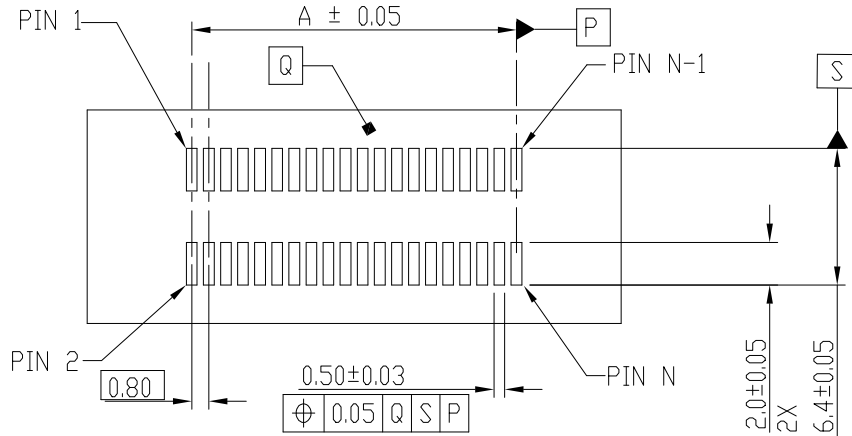
PLUG 4

mat'l. code		surface ISO 1302 ✓		tolerance ISO 406 ISO 1101		projection		product family	
ltr		ecn no		dr		date		BERGSTAK	
H								title	
								PLUG ASSY	
								BERGSTAK 0.8MM	
								dwg no	
								sheet 5 of 6	
								size	
								A3	
								type	
								Product Customer Drawing	
sheet index		revision sheet		D E F G H					
3		1		1 5 1~6					

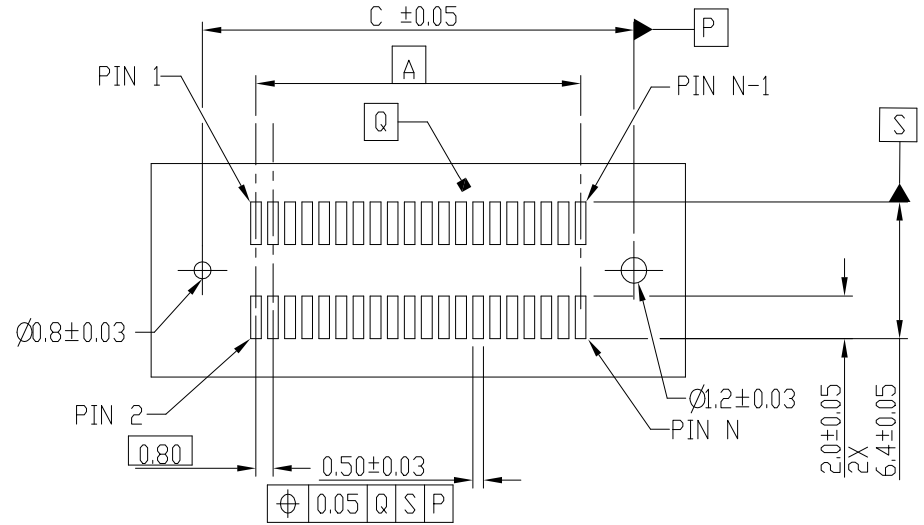
Amphenol FCI

© 2016 AFCI

FOR PLUG 1/2/3/4



RECOMMENDED PCB LAYOUT WITHOUT PEG AND HOLDDOWN FOR NO. OF PDS 2X10, 2X20, 2X30, 2X40, 2X50, 2X60



RECOMMENDED PCB LAYOUT WITH PEG FOR NO. OF PDS 2X10, 2X20, 2X30, 2X40, 2X50, 2X60

Amphenol FCI

© 2016 AFCI

mat'l. code		surface ISO 1302 <input checked="" type="checkbox"/>		tolerance ISO 406 ISO 1101		projection		product family BERGSTAK	
ltr	ecn no	dr	date	tolerances unless otherwise specified		title		PLUG ASSY BERGSTAK 0.8MM	
H				angles	linear	mm		dwg no 10144518 sheet 6 of 6 size A3	
				0°±3'	.0±.2 .00±.15 .000±.10	scale 1:1		type Product Customer Drawing	
				dr	Bob Gu	07/05/17	Amphenol FCI		
				enr	Alan Ni	09/16/22			
				chr	LQ Lei	09/16/22			
				appd	Tim Yao	09/16/22			
sheet index	revision sheet	D	E	F	G	H			
	3	1	1	5	1~6				

单击下面可查看定价，库存，交付和生命周期等信息

[>>Amphenol\(安费诺\)](#)