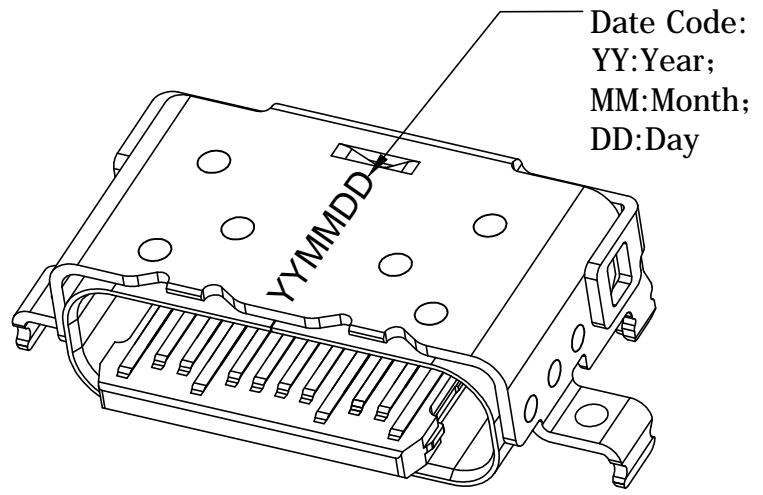
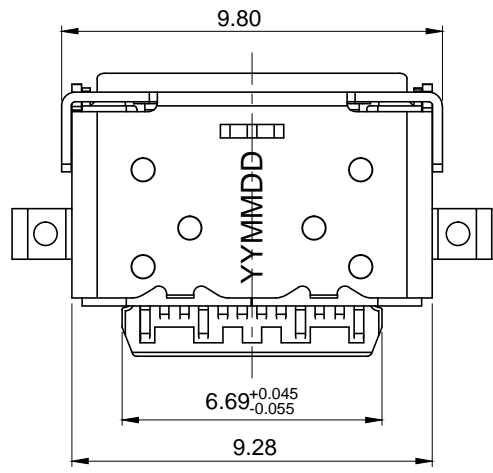


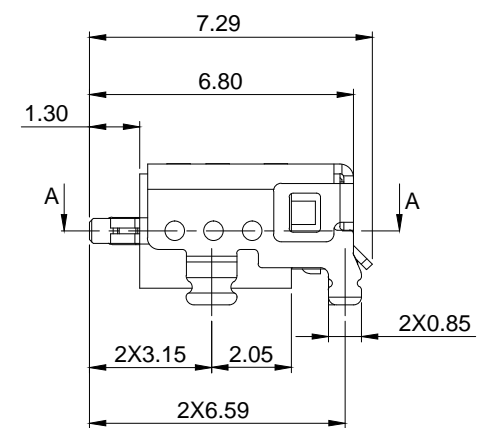
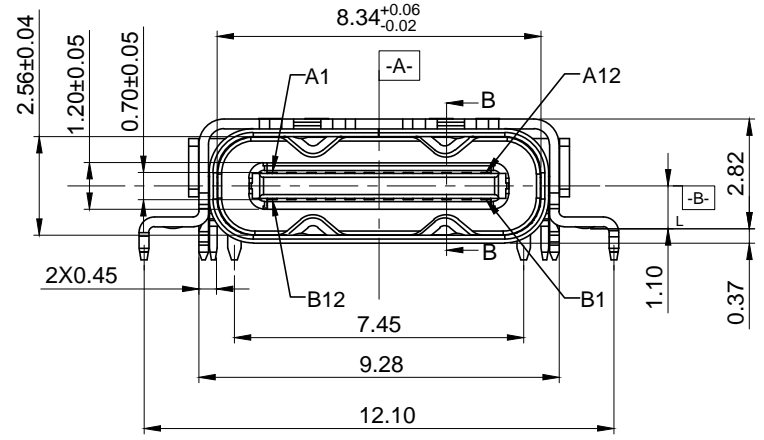
REV.	ECN.NO.	MODIFY.CONTENT	DATE
A	***	FIRST RELEASE	06/15/17



Date Code:
YY:Year;
MM:Month;
DD:Day

Pin Function Definition:
(Pin功能定义)

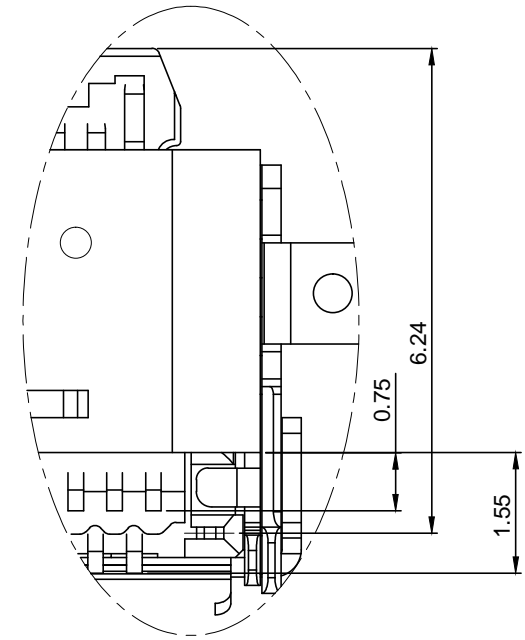
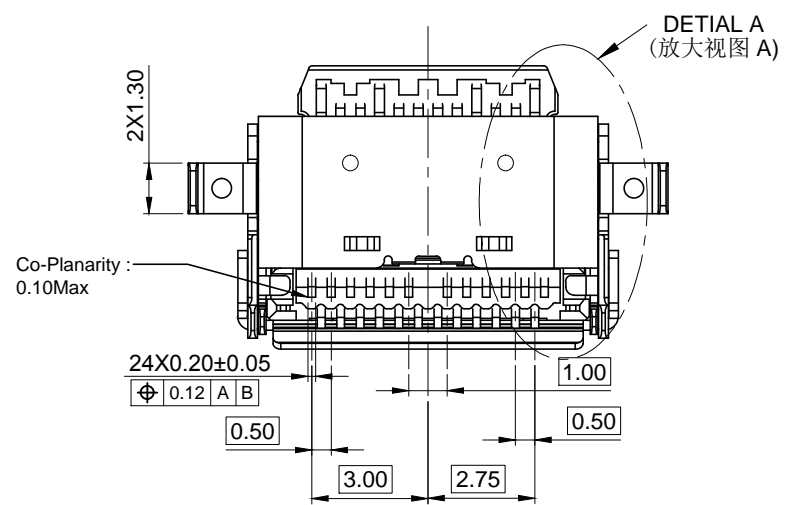
Pin No	Signal Name	Mating Sequence	Pin No	Signal Name	Mating Sequence
A1	GND	First	B12	GND	First
A2	TX1+	Second	B11	RX1+	Second
A3	TX1-	Second	B10	RX1-	Second
A4	Vbus	First	B9	Vbus	First
A5	CC1	Second	B8	SBU2	Second
A6	D+	Second	B7	D-	Second
A7	D-	Second	B6	D+	Second
A8	SBU1	Second	B5	CC2	Second
A9	Vbus	First	B4	Vbus	First
A10	RX2-	Second	B3	TX2-	Second
A11	RX2+	Second	B2	TX2+	Second
A12	GND	First	B1	GND	First
SHELL	GND		SHELL	GND	



NOTE/注释:

1. SPECIFICATION/规格:

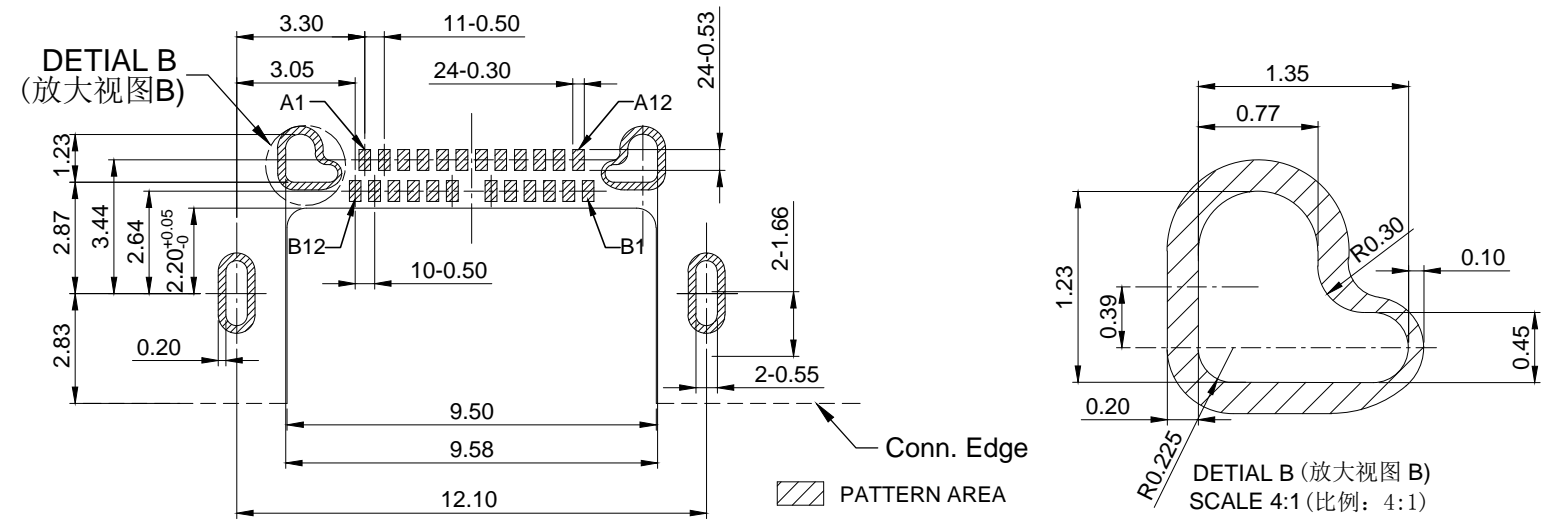
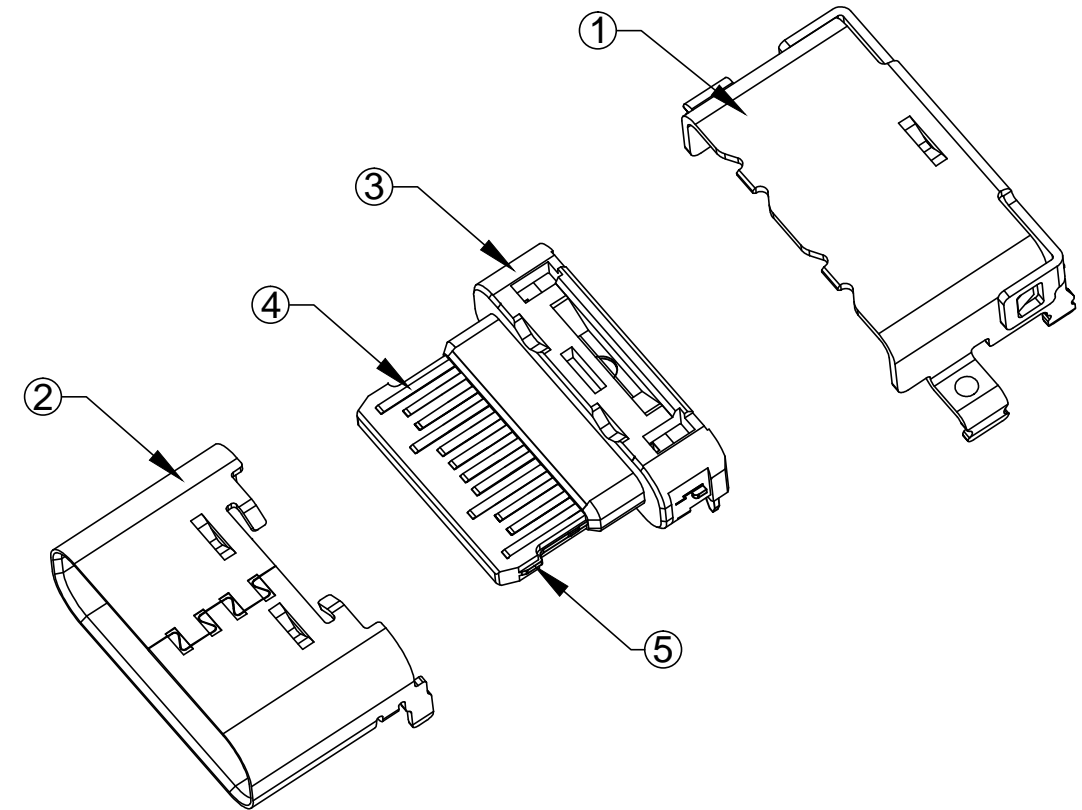
- 1.1 Rated current (额定电流): 6.0 A For VBus Pin and Gnd Pin
1.0 A For SBU1/SUB2
0.25A For Other Pin
- 1.2 Voltage rating (额定电压): 5V AC
- 1.3 Contact Resistance (接触阻抗): 40 mΩ Max.
- 1.4 Insulation Resistance (绝缘阻抗): 1000MΩ Min.
- 1.5 Withstanding voltage (耐电压): 500 VAC/minute
- 1.6 Mating force (插入力): 5~20N .
- 1.7 Unmating force (拔出力): 8~20N Min.
- 1.8 Operating temperature (工作温度): -40°~+85°
- 1.9 Material should be fulfilled Amphenol spec# SSN002 AND Customer Requirements,for halogen free products, Also need to meet SSN004
材料应满足安费诺规格# SSN002和客户需求、无卤产品还需要满足SSN004



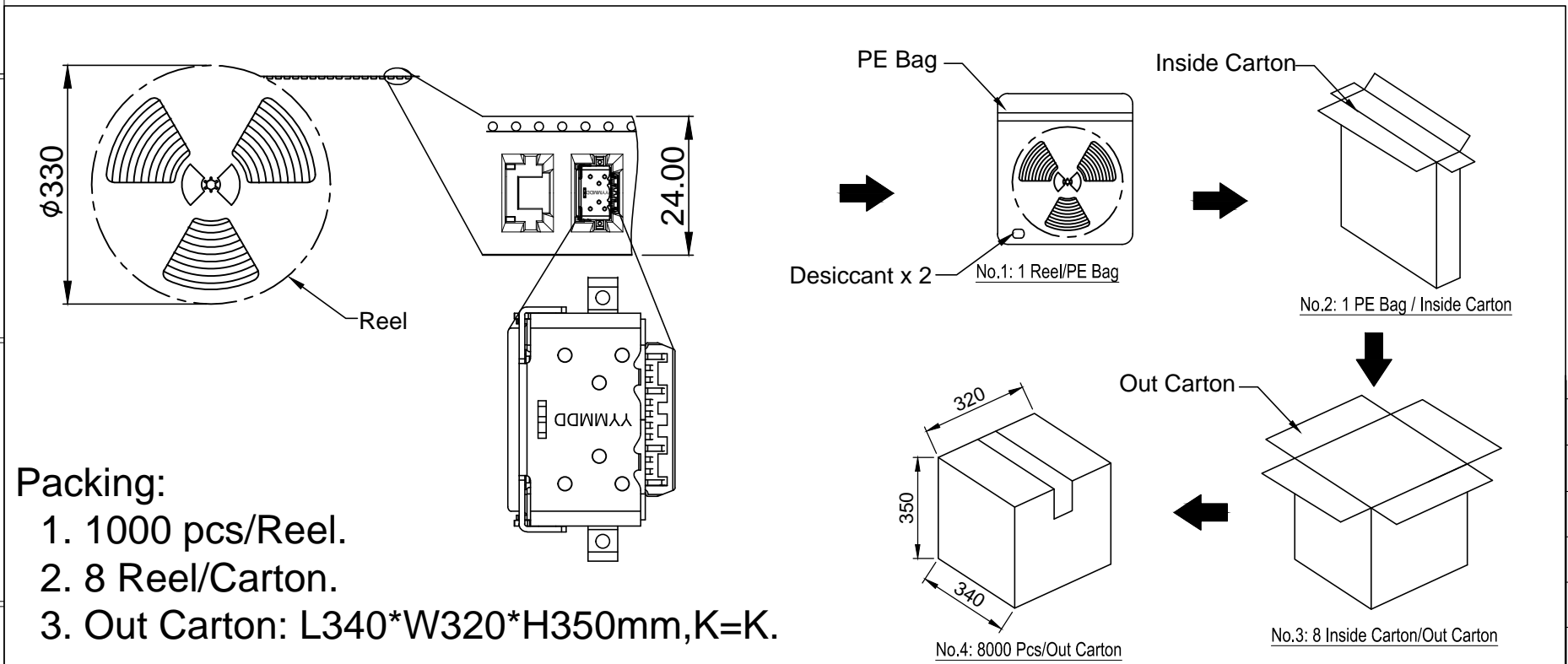
DETIAL A (放大视图 A)
SCALE 2:1 (比例: 2:1)

GENERAL TOLERANCE	FILE.NO.	124018402112A	PART.NO.	124018402112A	DRAWN	Allan.Lai	MATERIAL	SCALE	1:1
x.±0.50	x.°±5°	REV.	A	TITLE	USB TYPE C 3.1 Female (Short Version)	CHECKED	Weison.lu	DATE	06/15/17
.x±0.35	.x°±2°	SIZE	A4	SHEET	1 OF 2	APPROVED	Tom	UNIT	mm
.xx±0.25	.xx±1°	Amphenol Shouhmin Industry							

REV.	ECN.NO.	MODIFY.CONTENT	DATE
A	***	FIRST RELEASE	06/15/17



Recommended PCB Layout(Top View)/推荐的PCB布局(前视图)
General Tolerances:±0.05/一般公差:±0.05



Packing:
 1. 1000 pcs/Reel.
 2. 8 Reel/Carton.
 3. Out Carton: L340*W320*H350mm,K=K.



5	Mid Plate	1	Stainless Steel	Plating Nickel 50u"	T=0.15
4	Terminal	24	Copper alloy	Mating surface:30u" Au Min., Solder tail:Gold Flash 50u" Nickel overall.	T=0.12
3	Main housing	1	Nylon	Black	UL94V-0
2	INT Shell	1	Stainless Steel	Plating Nickel 50u"	T=0.20
1	Out Shell	1	Stainless Steel	Plating Nickel 50u"	T=0.25
No.	Part name	Q'ty	Material	Finish	Remark

GENERAL TOLERANCE	FILE.NO.	124018402112A	PART.NO.	124018402112A	DRAWN	Allan.Lai	MATERIAL	SCALE	1:1	
x.±0.50	x.°± 5°	REV.	A	TITLE	CHECKED	Weison.lu	DATE	06/15/17	UNIT	mm
.x±0.35	.x°± 2°	SIZE		SHEET	APPROVED	Tom	Amphenol Shouhmin Industry			
.xx±0.25	.xx± 1°	A4		2 OF 2						

单击下面可查看定价，库存，交付和生命周期等信息

[>>Amphenol\(安费诺\)](#)