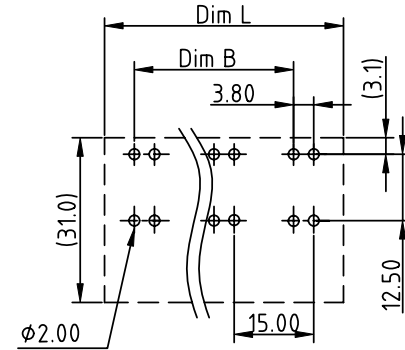
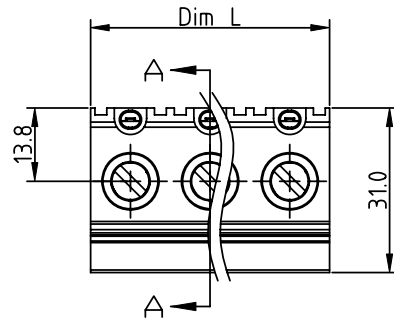
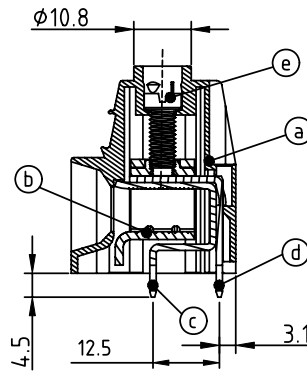
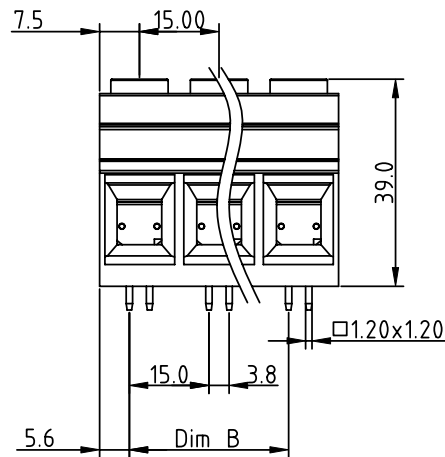


PRODUCT NUMBER	PITCH
E1xxC1x300J0G	15.00 mm



RECOMMENDED P.C.B LAYOUT
TOP VIEW



SECTION A-A

Material:

- ltem@ Terminal housing :Thermoplastic (UL 94V-0)
- ltem@ Clamp : Steel Stamping , Zinc plated
- ltem@ Solder pin1 : Copper , Tin plated
- ltem@ Solder pin2 : Copper , Tin plated
- ltem@ Terminal screw: Zinc plating"-slot type

Electrical cULus IEC

- Voltage rating: 600V 1000V
- Current rating: 125A 125A
- Wire range: 35mm²
- Solid wire(AWG): 2-20
- Stranded wire(AWG): 2-20
- Torque(Lb-In): 36.5
- Screw: M5
- Wire strip length: 12-15mm
- Withstanding Voltage: 2.2KV 8KV
- Operating temperature: -40° C to +115° C
- Soldering temperature: 260° C±5° C/5 Sec
- Safety Approval: cULus

PART NO.: EI xx C 1 x 3 00J0 G

DIMENSION

Dim L	Nx15.0
Dim B	(N-1)x15.0

N=Number of poles

Poles	Tolerance
2p~3p	±0.30
4p~5p	±0.50
6p~10p	±0.80

Solid block	0 Black (RAL9005)	RoHS compliant (lead<4%)
No. of poles	2 Red (RAL3001/D)	In copper Alloy
02 2 poles	3 Orange(RAL2011/P)	
03 3 poles	4 Yellow(RAL1018/A)	
...	5 Green(RAL6018/T)	
10 10 poles	6 Blue (RAL5015/A)	
	8 Grey(RAL7035/D)	
	9 White(RAL1102)	
	C Green(RAL6018/U)	

mat'l. code		surface ASME Y14.5	tolerance ASME Y14.5	projection	product family
ltr	ecn no	dr	date	tolerances unless otherwise specified	TERMINAL BLOCK
				angles	title
				MM	TERMINAL BLOCK
				X*±1"	scale
				dr	sheet 1 of 1
				enr	size
				chr	A4
				appd	type
					CUSTOMER Drawing
sheet index	revision	A			
	sheet	1			

单击下面可查看定价，库存，交付和生命周期等信息

[>>Amphenol\(安费诺\)](#)