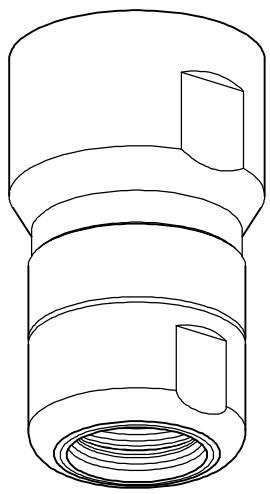
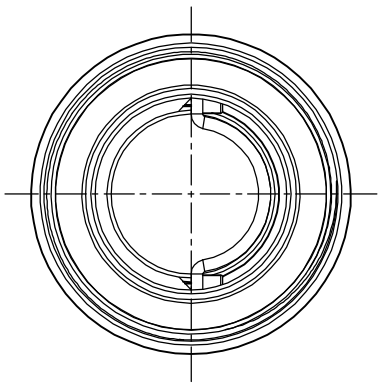
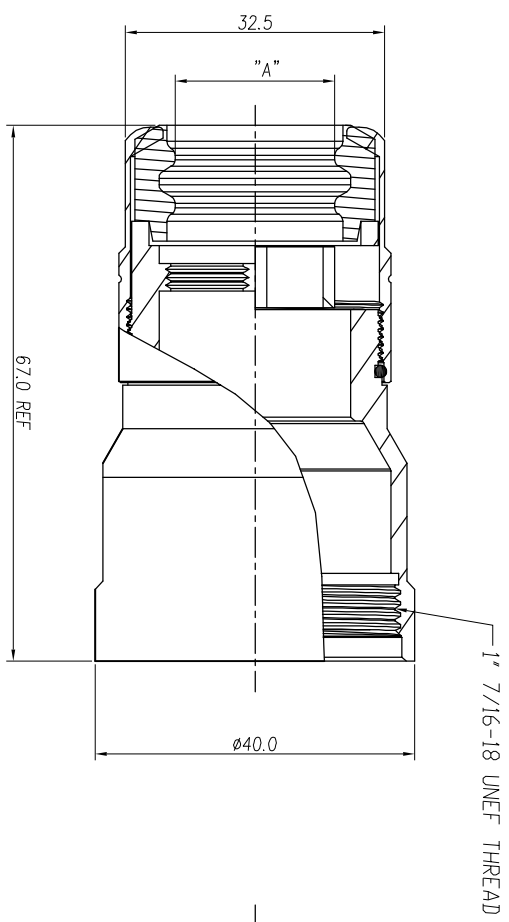


REVISIONS					
REV	ECO	DESCRIPTION	DATE	BY	APPR
A1	-	RELEASE NEW DWG FORMAT	15-SEP-2015	BEN	TOMMY



P/N	Dimension "A "	Cable OD Range
RT0L-24CPG-S1	Ø20.0 mm	20.5~22.5 mm

- NOTES: UNLESS OTHERWISE SPECIFIED
- MATERIAL:
 - NUT: ZINC DIE CAST OR AL ALLOY, NICKEL PLATED.
 - SEAL: SILICONE RUBBER
 - HOUSING BODY: ZINC DIE CAST OR AL ALLOY, NICKEL PLATED
 - SPECIFICATIONS:
 - 2.1 DEGREE OF PROTECTION: IP67 (MATED CONDITION)
 - 2.2 RoHS COMPLIANT
 - ALL DIMENSIONS ARE FOR REFERENCE USE ONLY.

QUANTITY	SEE PART NUMBER CHART	PART NUMBER	DESCRIPTION	ITEM
			MATERIALS LIST	
UNLESS OTHERWISE SPECIFIED 1) All dimensions are in millimeters. 2) Dimensions are as follows: ±0.10/ 2 PL DEC 30-15 Angles 3° 3 PL DEC 30-08 3) Note reference =				
MATERIAL SPECIFICATIONS:		CUSTOMER:		
PROCESS SPECIFICATIONS:		SIGNATURES		
NEXT ASST:		DRAWN: BEN	DATE: 15-SEP-2015	
		CHECKED:		
		ENGINEER:		
		APPROVAL:		
		THIS DRAWING IS SHOWN FOR INFORMATION ONLY. DESIGN FEATURES, SPECIFICATIONS AND PERFORMANCE DATA ARE SUBJECT TO CHANGE WITHOUT NOTICE. THE APPLICABLE CORPORATION, INHERITS OR RENOVATION ARE LIMITED. ALL MANUFACTURING VARIATIONS.		
ECO-MATE CORD GRIP, SIZE 24		Amphenol Site Systems - www.amphenol-site.com 44724 Money Drive Clinton Township, MI 48038		
SIZE	TYPE	DWG NO.	REVISION	
B	C-	RT0L-24CPG-S1	A1	
SCALE: NONE				SHEET 1 OF 1

单击下面可查看定价，库存，交付和生命周期等信息

[>>Amphenol\(安费诺\)](#)