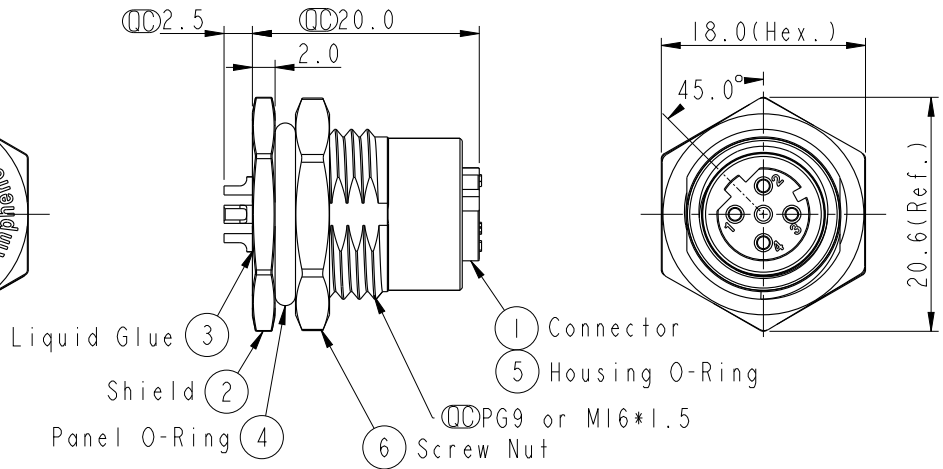
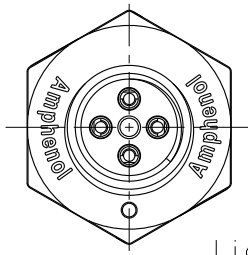
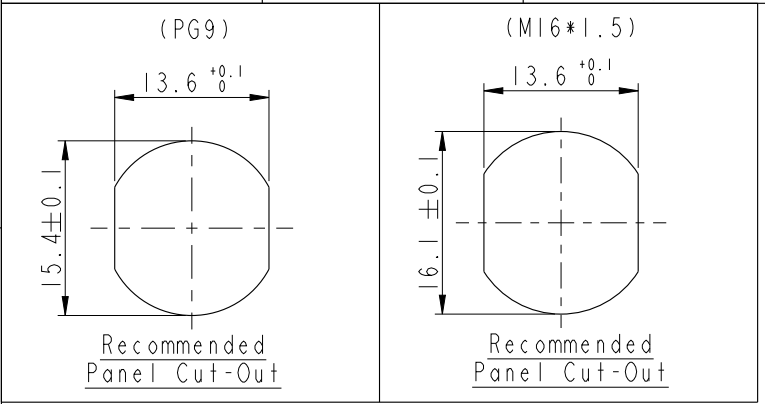


THIS DOCUMENT IS SUBJECT TO CHANGE WITHOUT NOTICE. IT IS CONFIDENTIAL AND A PROPERTY OF Amphenol LTW. DISCLOSURE TO THIRD PARTY HAS TO BE AUTHORIZED BY Amphenol LTW.

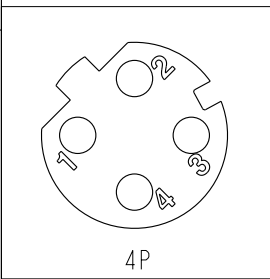
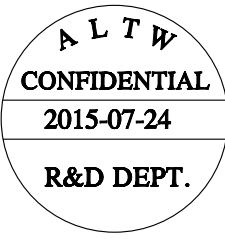
REV.	ECN NO.	DATE	SIGN	DESCRIPTION
B	LEN1580013-014	2015-07-24	Yulong_wang	Change to Share Drawing.



M 12D - 04 P F F S - S F 8 XXX

12D: D-Code
 04: 4Pin
 P: Panel (板端)
 F: Female Connector (母座)
 F: Female Pin (母Pin)
 S: Solder Type (焊接式)

001: PG9
 002: M16*1.5
 8: IP68 (防水等级68)
 F: Front Fasten (前锁式/Enclosure Rear Mount)
 S: Screw (螺紋式)



4P
Pin Assignment Front View

- Note:
- * \varnothing Important Dimension.
 - * Waterproof Rate: IP68.
 - * Housing: Nylon+GF, Black.
 - * Female Pin: Copper Alloy, Gold Plated.
 - * Shield: Zinc Alloy, Nickel Plated.
 - * Screw Nut: Zinc Alloy, Nickel Plated.
 - * Panel O-Ring: Viton, Black.
 - * Housing O-Ring: Viton, Green.
 - * Rated Voltage: 250V dc. or ac.
 - * Rated Current: 4A
 - * Operating Temperature: -40~105°C
 - * For Panel Thickness Max 4.5mm.
 - * Recommended Nut Torque: 4-6 Kgf.cm.

UNIT: mm			TITLE M12 D-Code Female Conn. Solder Front Type
TOLERANCE .X ±0.25 .XX ±0.1 .XXX ±0.05 ANGLES ±1°	SCALE 2:1	SIZE A4	SHEET 1 OF 1
REV. B	WC-REV. A.5	\varnothing : Inspection item	

Amphenol LTW 安費諾亮泰企業股份有限公司		ITEM NO. M12D-04PFFS-SF8XXX	DRAWN BY Yulong_wang	DATE 2015-07-24
		CUSTOMER ALTW	CHECKED BY Cary	DATE 2015-07-24
			APPROVED BY Jerry	DATE 2015-07-24

单击下面可查看定价，库存，交付和生命周期等信息

[>>Amphenol\(安费诺\)](#)