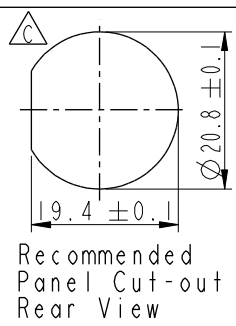
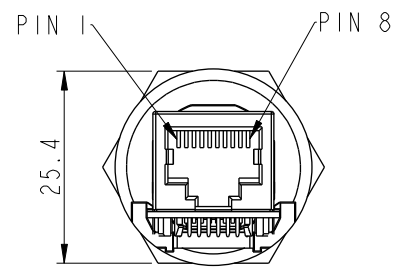
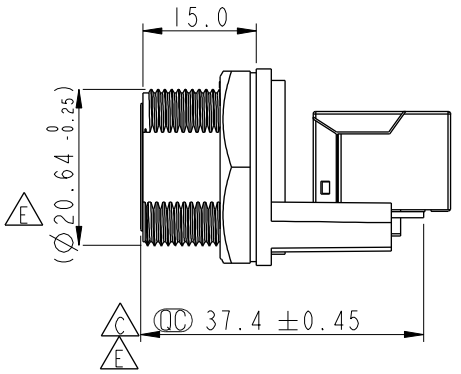
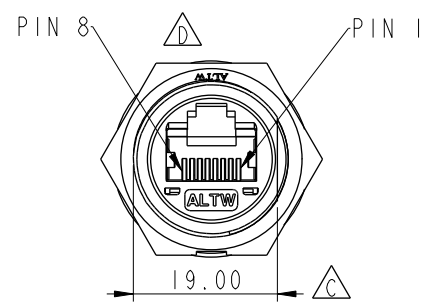
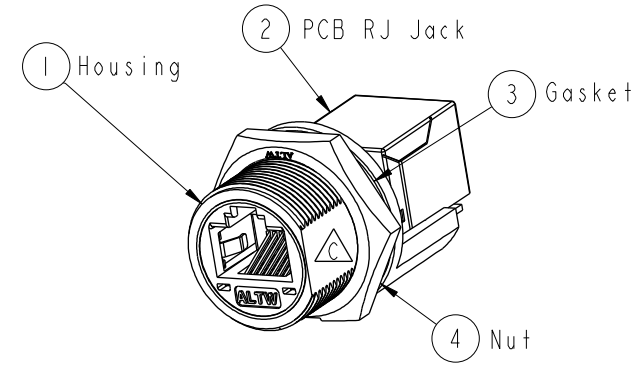
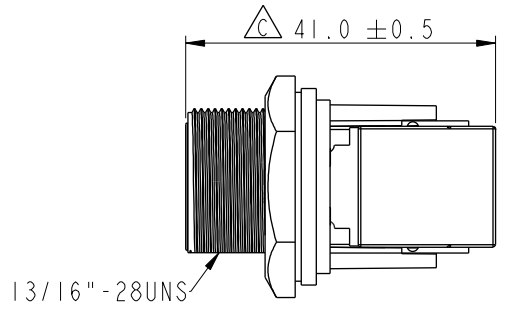
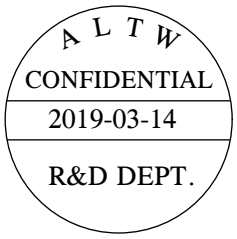


REV.	ECN NO.	DATE	SIGN	DESCRIPTION
D	LEN15C0246	2015-12-16	Jinhai	凸字底部修平
E	LEN1810008	2017-11-28	Jalam	Modify The Tolerance
F	CI90405	2019/03/14	Ruru	Modify Note



Note: \triangle

- * CC Important Dimension
- * Waterproof Rate : IP67, Mated
- * Housing: Thermoplastic, Black
- * Nut: Thermoplastic, Black
- * Gasket : Rubber, Gray.
- * PCB: FR-4
- * Jack : Thermoplastic
- * Use without Waterproof cap or Dust cap For Panel Thickness Max: 4.2mm
- * Use with Waterproof cap or Dust cap For Panel Thickness Max: 3.0mm
- * Screw torsion value range: 8~12kgf-cm
- * Gasket and Nut are packed separately in PE bags.



UNIT: mm		TITLE		ITEM NO	DRAWN BY	DATE
		RJ45,C SIZE, MATED WP		RCP-5SPFFH-SCM7001	Ruru	2019-03-14
TOLERANCE		SCALE	SIZE	DWG NO	CHECKED BY	DATE
.X ±0.25		1:1	A4	RCP-5SPFFH-SCM7001	Rita	2019-03-14
.XX ±0.1		REV.	WC-REV.	CUSTOMER	APPROVED BY	DATE
.XXX ±0.05		F	C.4	ALTW	Max	2019-03-14
ANGLES ±1°		CC : Inspection item				

Amphenol LTW
安費諾亮泰企業股份有限公司

THIS DOCUMENT IS SUBJECT TO CHANGE WITHOUT NOTICE. IT IS CONFIDENTIAL AND A PROPERTY OF Amphenol LTW. DISCLOSURE TO THIRD PARTY HAS TO BE AUTHORIZED BY Amphenol LTW.

单击下面可查看定价，库存，交付和生命周期等信息

[>>Amphenol\(安费诺\)](#)