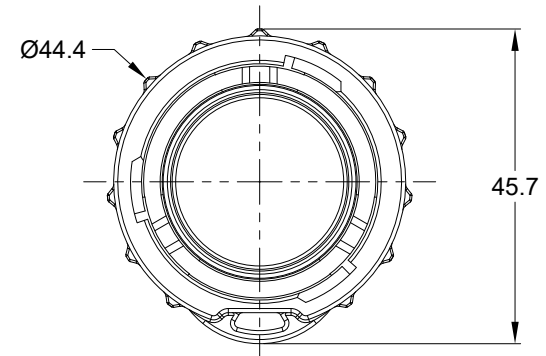
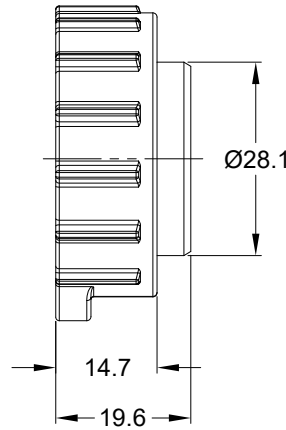
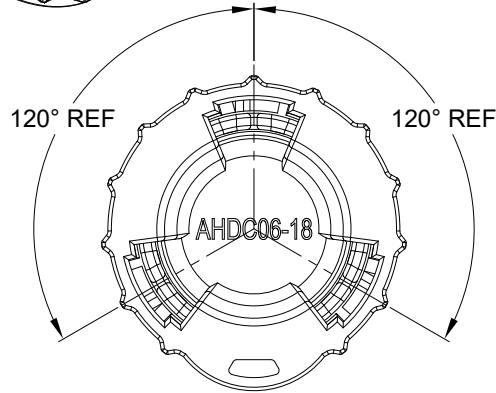
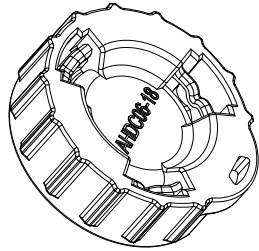



REVISIONS

REV	ECO	DESCRIPTION	DATE	BY	APPR
01		PRELIMINARY DRAWING	11APR17	SULLEN	TOMMY
02		CHANGE P/N TO AHDC06-18	18MAY17	SULLEN	TOMMY
03		CHANGE DIMENSIONS	21JUL17	SULLEN	TOMMY



NOTES: UNLESS OTHERWISE SPECIFIED

1. MATERIAL: THERMOPLASTIC
2. COLORS: BLACK
3. RoHS COMPLIANT
4. COMPATIBLE WITH ALL SIZE 18 AHDP SERIES RECEPTACLE.
5. ALL DIMENSIONS ARE FOR REFERENCE USE ONLY.

AHDC06-18		DESCRIPTION		ITEM
QUANTITY	PART NUMBER	MATERIALS LIST		
UNLESS OTHERWISE SPECIFIED		SIGNATURES		DATE
1) All dimensions are in metric (mm).		DRAWN: SULLEN.ZHANG		21JUL17
2) Tolerances are as follows:		CHECKED: ORION.LI		21JUL17
1 PL DEC ±0.30		ENGINEER:		
2 PL DEC ±0.15		APPROVAL: TOMMY.XIE		21JUL17
3 PL DEC ±0.08		CUSTOMER:		
3) Note reference = 		THIS DRAWING IS SUPPLIED FOR INFORMATION ONLY. DESIGN FEATURES, SPECIFICATIONS AND PERFORMANCE DATA SHOWN HEREON ARE THE PROPERTY OF THE AMPHENOL CORPORATION. NO RIGHTS OF REPRODUCTION ARE IMPLIED. ALL DIMENSIONS ARE SUBJECT TO NORMAL MANUFACTURING VARIATIONS.		
MATERIAL SPECIFICATIONS:		PROTECTIVE CAP FOR RECEPTACLE, AHDP SERIES, SIZE 18		
PROCESS SPECIFICATIONS:		SIZE	TYPE	DWG NO:
NEXT ASSY:		A	C-	AHDC06-18
		SCALE: NONE		REVISION: 03
		SHEET 1 OF 1		

单击下面可查看定价，库存，交付和生命周期等信息

[>>Amphenol\(安费诺\)](#)