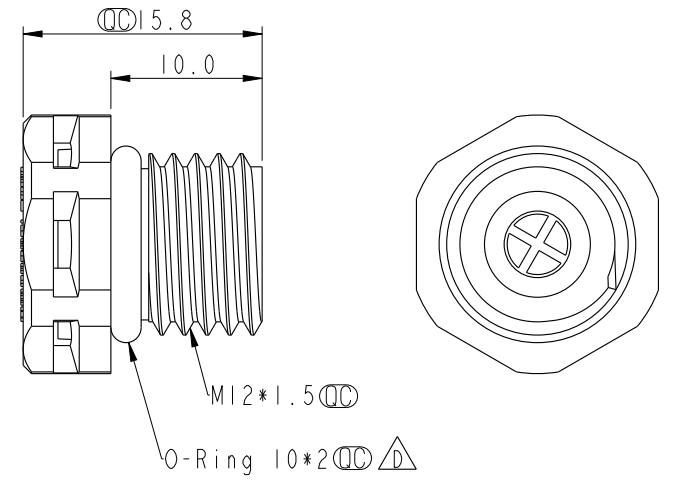
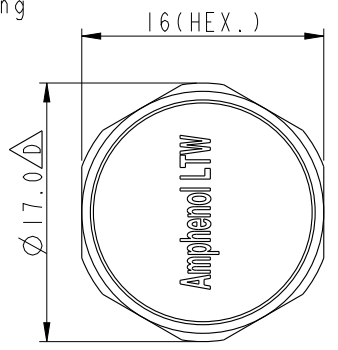
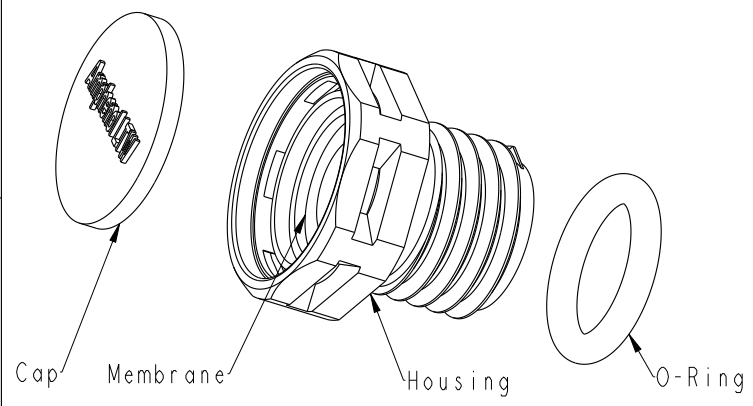


THIS DOCUMENT IS SUBJECT TO CHANGE WITHOUT NOTICE. IT IS CONFIDENTIAL AND A PROPERTY OF Amphenol LTW. DISCLOSURE TO THIRD PARTY HAS TO BE AUTHORIZED BY Amphenol LTW.

REV.	ECN NO.	DATE	SIGN	DESCRIPTION
D	LEN17C0606~621	2017/12/15	Ethan	Add O-Ring Dimensions And Modify Dimensions
E	C180282	2018/11/01	Xiaofeng	Drawings Change
F	C210614	2021/04/13	Xiaofeng	X3



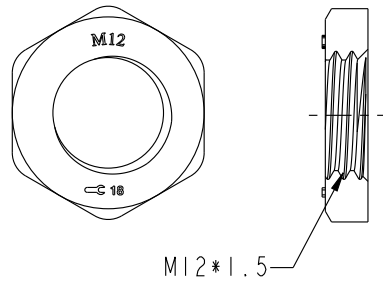
Without Nut					
成品料號 (Product no.)	透氣量 ml/min@70mbar	主體顏色 (Body Colour)	O-Ring Color	疏油性 (Oleophobic)	Waterproof Rate
VENT-PSINGY-N8001	>1000	Gray	Blue	N	IP68/IP69K
VENT-PSINBK-N8001	>1000	Black	Blue	N	IP68/IP69K
VENT-PSINGY-O8001	>550	Gray	Black	Y	IP68/IP69K
VENT-PSINBK-O8001	>550	Black	Black	Y	IP68/IP69K
VENT-PSINGY-O8002	>1000	Gray	Green	Y	IP68/IP69K
VENT-PSINBK-O8002	>1000	Black	Green	Y	IP68/IP69K
VENT-PSINGY-N8002	>3000	Gray	Red	N	IP68
VENT-PSINBK-N8002	>3000	Black	Red	N	IP68

With Nut					
成品料號 (Product no.)	透氣量 ml/min@70mbar	主體顏色 (Body Colour)	O-Ring Color	疏油性 (Oleophobic)	Waterproof Rate
VENT-PSIYGY-N8001	>1000	Gray	Blue	N	IP68/IP69K
VENT-PSIYBK-N8001	>1000	Black	Blue	N	IP68/IP69K
VENT-PSIYGY-O8001	>550	Gray	Black	Y	IP68/IP69K
VENT-PSIYBK-O8001	>550	Black	Black	Y	IP68/IP69K
VENT-PSIYGY-O8002	>1000	Gray	Green	Y	IP68/IP69K
VENT-PSIYBK-O8002	>1000	Black	Green	Y	IP68/IP69K
VENT-PSIYGY-N8002	>3000	Gray	Red	N	IP68
VENT-PSIYBK-N8002	>3000	Black	Red	N	IP68

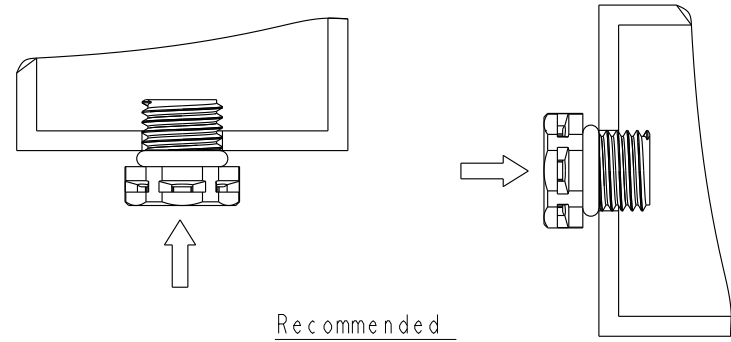
UNIT : mm			TITLE M12*1.5 VENT		
TOLERANCE .X ±0.25 .XX ±0.1 .XXX ±0.05 ANGLES ±1°	SCALE 2:1	SIZE A4	SHEET 1 OF 2	REV. F	WC-REV. A.7
			◎: Inspection item		

Amphenol LTW 安費諾亮泰企業股份有限公司		ITEM NO.	DRAWN BY Xiaofeng	DATE 2018/11/01
		DWG NO. VENT-PSIXXX-XXXXX	CHECKED BY Feng-li	DATE 2018/11/01
		CUSTOMER ALTW	APPROVED BY Jerry	DATE 2018/11/01

Screw Nut: Optional part
 No.: APTP-ABKPA012-001
 螺母作為選配件

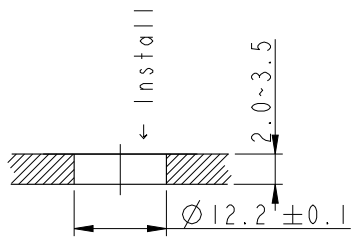


F



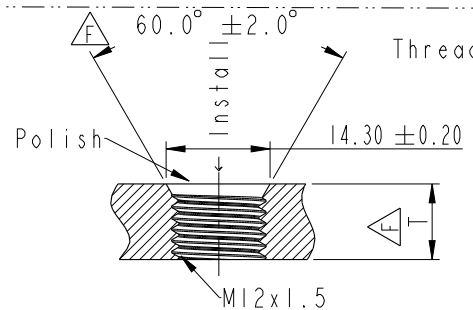
Recommended
 installation orientation
 建議安裝朝向

Through-hole



Recommended Panel Cut-Out
 建議開孔尺寸

Threaded-hole



Recommended Panel Cut-Out
 建議開孔尺寸

Note:
 * \varnothing Important Dimension.
 * Cap: Nylon+GF, 94V-0, UV Resistance
 * Membrane: ePTFE
 * Body: Nylon+GF, 94V-0, UV Resistance
 * O-Ring: Silicone, 94V-0
 * Recommended Torque: 6.0~8.0 Kgf.cm

E

UNIT: mm		
TOLERANCE	.X	± 0.25
	.XX	± 0.1
	.XXX	± 0.05
	ANGLES	$\pm 1^\circ$

TITLE M12*1.5 VENT			
SCALE 2:1	SIZE A4	SHEET 2 OF 2	
REV. F	WC-REV. A.7	\varnothing : Inspection item	

Amphenol LTW
 安費諾亮泰企業股份有限公司

ITEM NO	DRAWN BY Xiaofeng	DATE 2018/11/01
DWG NO VENT-PS1XXX-XXXXX	CHECKED BY Feng-li	DATE 2018/11/01
CUSTOMER ALTW	APPROVED BY Jerry	DATE 2018/11/01

单击下面可查看定价，库存，交付和生命周期等信息

[>>Amphenol\(安费诺\)](#)