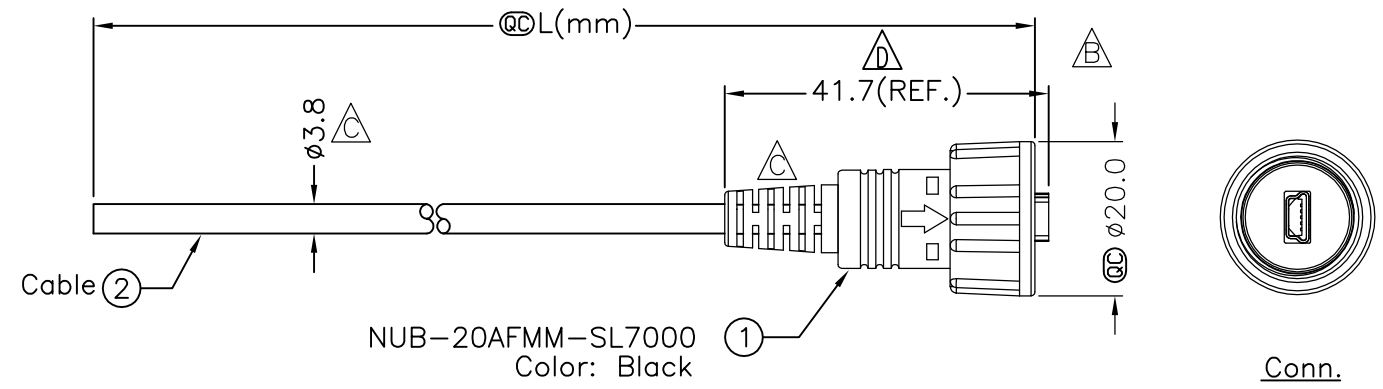
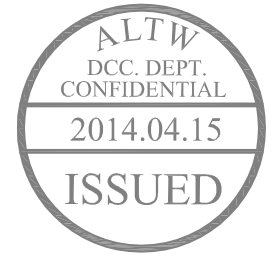


REV.	ECN NO.	DATE	SIGN	DESCRIPTION
B	LEN-820027	2007/11/16	Rommel A. Vergara	Update Outer Mold
C	LEN-840034	2008/04/10	Jill	Update SR,Cable OD
D	LEN1440069~72	2014/03/17	Sam	Change Dimension



NUB-20AFMM-SL7000
Color: Black

Conn.



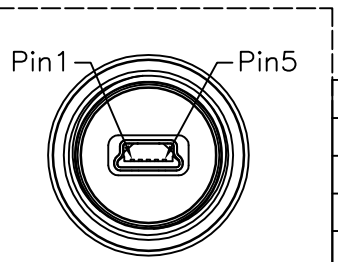
NUB-20AFMM-SL7AXX

- XX:01~04Meters
- 01:01Meter
- 02:02Meters
- :
- 04:04Meters

Cable Length(L):01~04Meters

Note:

- * @C Important Dimension.
- * Waterproof Rate: IP67
- * Screw Nut: Nylon+GF,Black
- * Gasket:EPDM,Black
- * Pin: Brass,Gold Plated.
- * Cable: USB2.0 UL2725 28AWG*1P+28AWG *3C+AEB,OD=3.8mm
- * Cable Length Tolerance: 1M~04M±5%mm



Pin Assignments
Front View

Shield	Drain 地線 (28AWG)
5	Black 黑 (28AWG)
4	Yellow 黃 (28AWG)
3	Green 綠 (28AWG)
2	White 白 (28AWG)
1	Red 紅 (28AWG)
Conn.	Wire Color
	Pin Out

Twist

UNIT:mm	
TOLERANCE	±0.5 mm

TITLE Mini USB Molding Type F Conn M Pin	
SCALE Free	SHEET 1 OF 1
REV. D	SIZE A4
①:Inspection Item	

Amphenol LTW
安費諾亮泰企業股份有限公司

ITEM NO	DRAWN BY SamChang	DATE 2014/03/17
DWG NO NUB-20AFMM-SL7AXX	CHECKED BY Vicky	DATE 2014/03/17
CUSTOMER ALTW	APPROVED BY Rita	DATE 2014/03/17

THIS DOCUMENT IS SUBJECT TO CHANGE WITHOUT NOTICE. IT IS CONFIDENTIAL AND A PROPERTY OF Amphenol LTW. DISCLOSURE TO THIRD PARTY HAS TO BE AUTHORIZED BY Amphenol LTW.

单击下面可查看定价，库存，交付和生命周期等信息

[>>Amphenol\(安费诺\)](#)