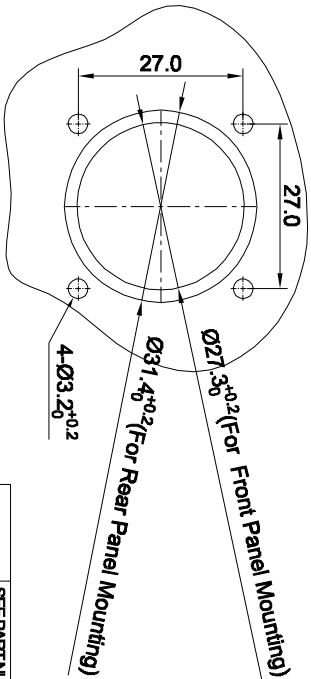
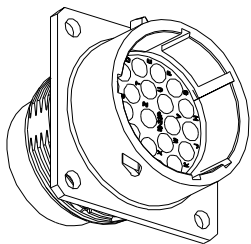
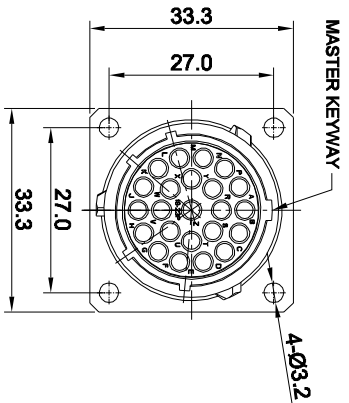
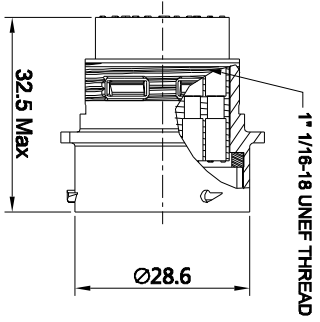


REVISIONS				
REV	ECO	DESCRIPTION	DATE	BY APPR
B1	-	RELEASED DRAWING	JUN-23-2014	BEN TOMMY



PANEL CUT OUT REFERENCE

KEY POS	PART NUMBER	
	-40°C ~ -105°C	-40°C ~ 125°C
N	RT001823PN	RT001823PN03
W	RT001823PW	RT001823PW03
X	RT001823PX	RT001823PX03
Y	RT001823PY	RT001823PY03
Z	RT001823PZ	RT001823PZ03

- NOTES : (UNLESS OTHERWISE SPECIFIED)
- MATERIAL :
SHELL : ZINC ALLOY , NICKEL PLATED.
INSERT : THERMOPLASTIC , UL94 V-0.
SEAL GASKET : NBR/SILICONE RUBBER.
 - SPECIFICATIONS :
2.1 RATED CURRENT : 13A (MAX).
2.2 RATED VOLTAGE : 300V (AC/DC).
2.3 OPERATING TEMPERATURE : SEE CHART.
2.4 DIELECTRIC WITHSTANDING VOLTAGE : LESS THAN 2 MILLAMPS CURRENT LEAKAGE@2000 VOLTS AC.
2.5 INSULATION RESISTANCE : 5000 MEGOHMS MIN.
2.6 IP--CLASS : IP67.
2.7 MATTING CYCLES DURABILITY : 500 CYCLES MIN.
2.8 ROHS COMPLIANT.
 - SUITABLE CONTACTS : 16# CONTACTS.
 - ALL DIMENSIONS ARE FOR REFERENCE USE ONLY.

QUANTITY	SEE PART NUMBER CHART	PART NUMBER	DESCRIPTION	ITER
			MATERIALS LIST	

UNLESS OTHERWISE SPECIFIED		SIGNATURES		DATE
1) ALL DIMENSIONS ARE IN MILLIMETERS.	2) TOLERANCES ARE AS SHOWN.	DRAWN: BBI	DESIGNED: JIM32/MH	JUN23/14
3) HOLE REFERENCE =	4) Note reference =	ENGINEER:	CHECKED:	
		APPROVAL:	CUSTOMER:	

PROCESS SPECIFICATIONS:	THIS DRAWING IS SUPPLIED FOR SPECIFICATIONS AND PERFORMANCE DATA. THE DRAWING IS NOT TO BE USED FOR REPRODUCTION OR REPRODUCTION AND REPRODUCTION. ALL DIMENSIONS ARE TO BE TAKEN FROM THE MANUFACTURING VARIATION.	SIZE	TYPE	DWG NO.	REVISION
NEXT ASST:		B	C-	RT001823P#	B1
		SCALE: NONE			SHEET 1 OF 1

Amphenol
Sine Systems - www.amphenol-sine.com
44724 Morley Drive
Clinton Township, MI 48038

ECO-MATE RECEPTACLE,
SIZE 18,23POS, PIN.

单击下面可查看定价，库存，交付和生命周期等信息

[>>Amphenol\(安费诺\)](#)