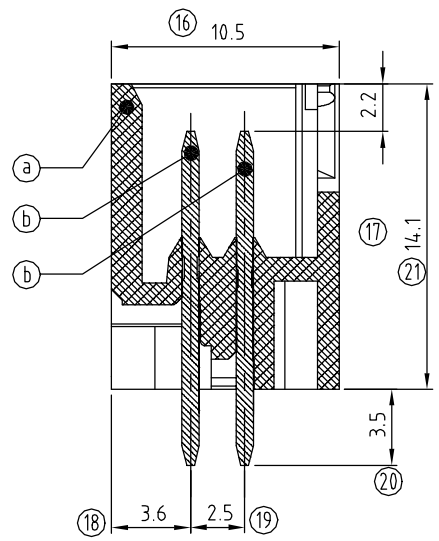
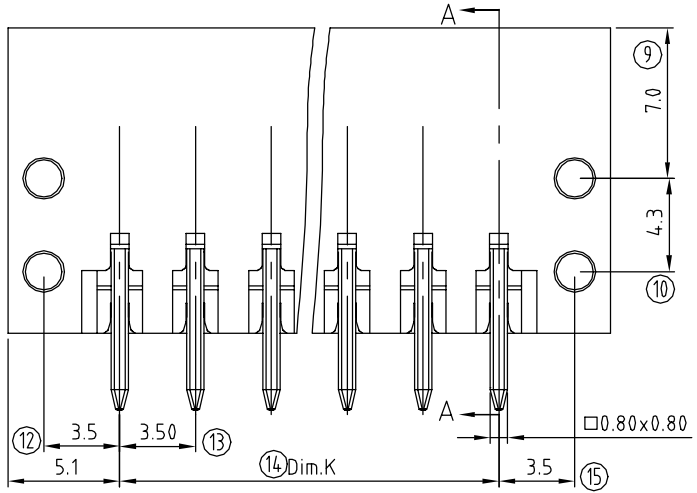
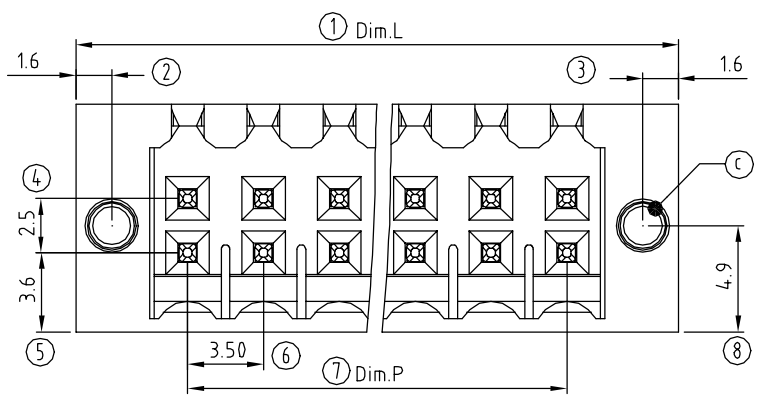


| | | | |
|--|----------|---------------------|----------|
| SIGN | DATE | DESCRIPTION | APPROVER |
| △ | 04/25'11 | Material is changed | Chen Bo |
| THIS IS CAD DRAWING, DO NOT REVISE MANUALLY!!! | | | |



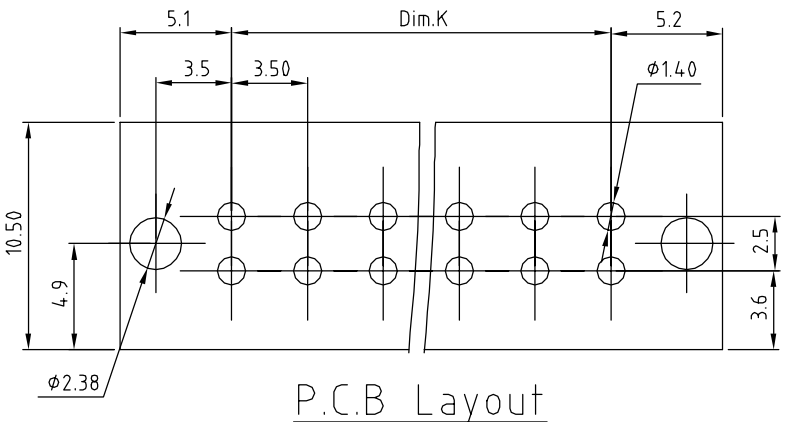
- Material:
- Item ⑨ Terminal housing: PA66 (UL94V-0)
 - Item ⑩ Male contact pin: Brass, Tin plated
 - Item ⑪ With flange nut: Brass, Nickel plated. M2.0
- Electrical: cULus
- Voltage rating: 150V
 - Current rating: 7A
 - Withstanding Voltage: 1.3KV
 - Operating temperature: -40°C to +115°C
 - Soldering temperature: 250°C±10°C/5 Sec
 - Safety Approval:

V X xx 1 2 x 0 xxxx G

RoHS Pb<40,000ppm

0000 Standard @ Logo
000A Standard ANY Logo
Any special item by customer request, please contact sales department.

- NO of plose
- 04 2x2 CONTACTS
 - 06 3x2 CONTACTS
 -
 - 48 24x2 CONTACTS



$$\text{DimL} = (N/2 - 1) \times 3.5 + 10.3$$

$$\text{DimP} = (N/2 - 1) \times 3.5$$

$$\text{DimK} = (N/2 - 1) \times 3.5$$

N=Number of poles

| POLES | Tol | Dim. | Dim.L | Dim.P |
|-------------|-----|------|-------|-------|
| 2x2p-2x6p | | | ±0.15 | ±0.10 |
| 2x7p-2x12p | | | ±0.25 | ±0.20 |
| 2x13p-2x18p | | | ±0.35 | ±0.30 |
| 2x19p-2x24p | | | ±0.40 | ±0.35 |

| | | | | | | | |
|---|----------|-----------------------------|--------|---------------------------|--|------------|--|
| ANYTEK | | | | INSPECTION COPY | | | |
| ALL RIGHTS RESERVED. REPRODUCTION OR ISSUE TO THIRD PARTIES IN ANY FORM WHATSOEVER IS NOT PERMITTED WITHOUT WRITTEN AUTHORITY FROM THE PROPRIETOR. PROPERTY OF ANYTEK TECHNOLOGY CO., LTD | | | | | | | |
| TITLE: VX 3.5mm Series With flange Vertical | | | | DWG NO.: 8VX004 | | | |
| PART NO.: VXxx12x0xxxxG | | DESIGNED: Runner 2011.04.25 | | DRAWN: Chen Bo 2011.04.25 | | CUST NO.: | |
| APPROVED: | CHECKED: | DESIGNED: | DRAWN: | CUST NO.: | | Tolerance | |
| | | | | UNIT: mm | | X. ±0.50 | |
| | | | | SCALE: NONE | | X.X ±0.30 | |
| | | | | REV.: C | | X.XX ±0.10 | |
| | | | | SHEET: 01/01 | | X° ±1° | |

单击下面可查看定价，库存，交付和生命周期等信息

[>>Amphenol\(安费诺\)](#)