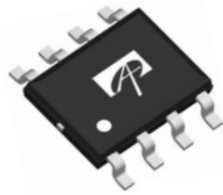


General Description

The AGD8252B1 / AGD8252B2 are 600V half-bridge gate driver ICs to control IGBTs and power MOS-transistors in full-bridge and 3-phase inverter systems. Due to specially designed common mode filter, it has an excellent ruggedness on transient voltage variation.



SOP-8L
(Body: 5.0 x 4.0 x 1.5 mm)

Features

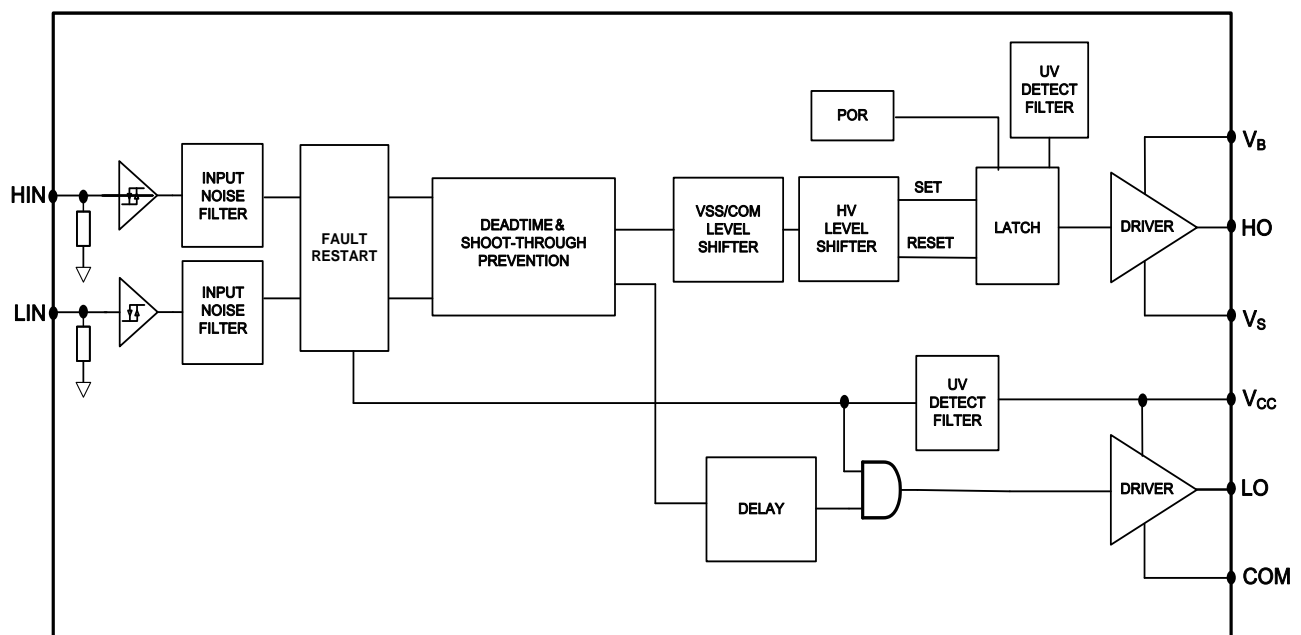
- Maximum blocking voltage +600V
- Output current: +200mA / -350mA (Typ.)
- Matched propagation delay for both channels
- Shoot-through (cross-conduction) protection
- Under-voltage lockout protection (UVLO)
- 3.3V / 5V CMOS and TTL inputs logic compatible
- Input logic: Schmitt trigger receiver circuit (Active high)

Applications

- Motor drives
- Home appliances
- IGBT and power MOS gate drivers for general purpose



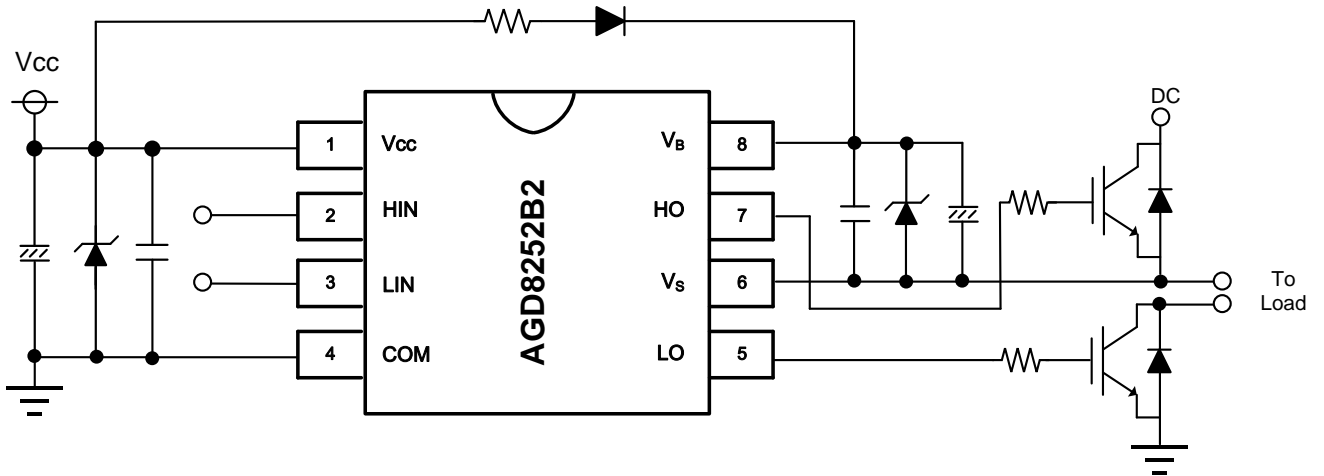
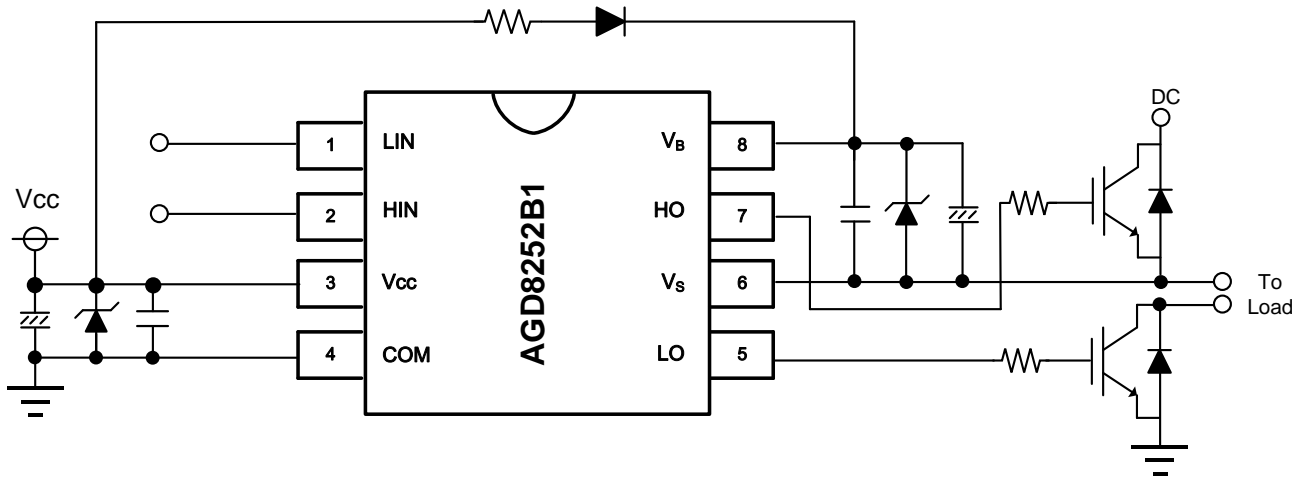
Internal Block Diagram



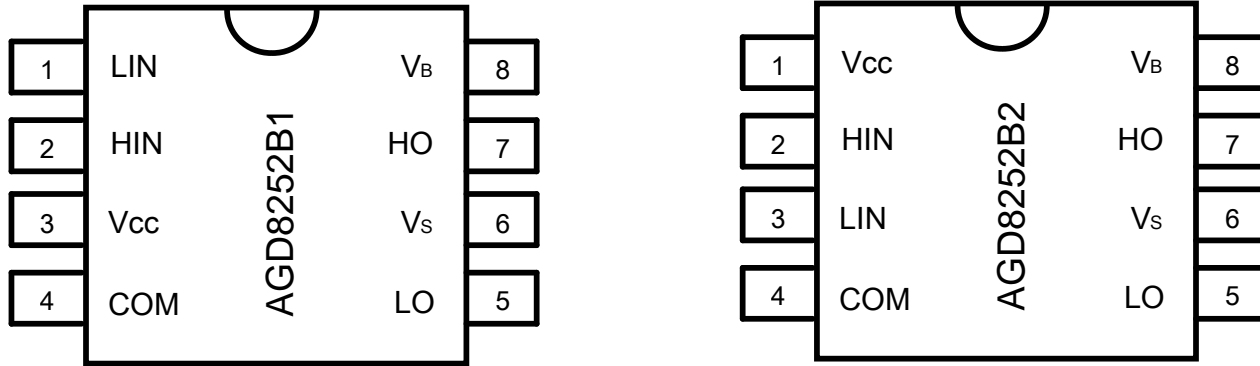
Ordering Information

Part Number	Temperature Range	Package
AGD8252B1	-40°C to 125°C	SOP-8L
AGD8252B2	-40°C to 125°C	SOP-8L

Typical Application Circuit



Pin Configuration



Pin Description

Pin Name	Pin Function
V _{CC}	Low-Side Supply Voltage
HIN	High-Side Logic Input
LIN	Low-Side Logic Input
COM	Power Ground
LO	Low-Side Driver Output
V _S	High-Side Floating Supply Offset Voltage
HO	High-Side Driver Output
V _B	High-Side Floating Supply Voltage

Absolute Maximum Ratings

Absolute maximum ratings indicate sustained limits beyond which damage to the device may occur. All voltage parameters are absolute values referenced to V_{SS}, unless otherwise stated in the table.

Symbol	Parameter	Min.	Max.	Units
V _{CC}	Low-Side Supply Voltage	-0.3	20 ⁽¹⁾	V
V _{IN}	Logic Input Voltage (LIN, HIN)	V _{SS} -0.3	V _{CC} +0.3	
V _B	High-Side Floating Supply Voltage	-0.3	620	
V _S	High-Side Floating Supply Offset Voltage	V _B -20 ⁽¹⁾	V _B +0.3	
V _{HO}	High-Side Driver Output Voltage	V _S -0.3	V _B +0.3	
V _{LO}	Low-Side Driver Output Voltage	COM-0.3	V _{CC} +0.3	
COM	Power Ground	V _{CC} -25	V _{CC} +0.3	
dV _S /dt	V _S Offset Voltage Slew Rate ⁽²⁾	-	50	V/ns
PW _{HIN}	High-Side Input Pulse Width	500	-	ns
P _D	Package Power Dissipation @ T _A ≤ 25°C	-	0.75	W
R _{thJA}	Thermal Resistance, Junction to Ambient	-	150	°C/W
T _J	Junction Temperature	-	150	°C
T _S	Storage Temperature	-55	150	
T _L	Solder Reflow Condition (10 seconds)	-	300	
ESD	Human Body Model	2		kV

Notes:

1. An internal 20V zener diode is integrated to clamp each supply voltage.
2. Not subject of production test, verified by characterization.

Recommended Operating Ratings

The device is not guaranteed to operate beyond the Recommended Operating Conditions. All voltage parameters are absolute voltages referenced to V_{SS} , unless otherwise specified. The offset rating is tested with supplies of $(V_{CC}-COM) = (V_B-V_S) = 15V$.

Symbol	Parameter	Min.	Max.	Units
V_{CC}	Low-Side Supply Voltage	13.2	20	V
V_{IN}	Logic Input Voltage (LIN, HIN)	V_{SS}	$V_{SS}+5$	
V_B	High-Side Floating Supply Voltage	$V_S+13.2$	V_S+20	
V_S	High-Side Floating Supply Offset Voltage ⁽³⁾	COM-6	600	
$V_S(t)$	Transient High-Side Floating Supply Voltage ⁽⁴⁾	-50	600	
V_{HO}	High-Side Driver Output Voltage	V_S	V_B	
V_{LO}	Low-Side Driver Output Voltage	COM	V_{CC}	
COM	Power Ground	-5	5	
T_A	Ambient Temperature	-40	125	°C

Notes:

- Logic operation for V_S of -6V to 600V. Logic state held for V_S of -6V to $-V_{BS}$.
- Operational for transient negative V_S of $V_{SS}-50V$ with a 50ns pulse width, which is guaranteed by design.

Static Electrical Characteristics

$V_{CC} = V_{BS} = 15V$. $T_A = 25^\circ C$, unless otherwise specified.

Symbol	Parameter	Conditions	Min.	Typ.	Max.	Units
UV_{CC+}	V_{CC} Under-Voltage Positive Going Threshold		10.8	11.9	13.0	V
UV_{CC-}	V_{CC} Under-Voltage Negative Going Threshold		10.3	11.4	12.5	
UV_{CChys}	V_{CC} Under-Voltage Hysteresis		-	0.5	-	
UV_{BS+}	V_{BS} Under-Voltage Positive Going Threshold		10.0	11.0	12.0	
UV_{BS-}	V_{BS} Under-Voltage Negative Going Threshold		9.0	10.0	11.0	
UV_{BSHys}	V_{BS} Under-Voltage Hysteresis		-	1.0	-	
I_{LK}	High-Side Floating Supply Leakage Current	$V_B=V_S=600V$	-	-	50	μA
I_{QBS}	Quiescent V_{BS} Supply Current	$V_{IN}=0V$	-	70	120	μA
I_{QCC}	Quiescent V_{CC} Supply Current	(all inputs are in the off state)	-	0.3	1	mA
V_{OH}	High Level Output Voltage Drop, $V_{BIAS}-V_O$	$I_O=20mA, V_{IN}=5V$	-	0.9	1.4	V
V_{OL}	Low Level Output Voltage Drop, V_O	$I_O=20mA, V_{IN}=0V$	-	0.4	0.6	
I_{O+}	Output High Short Circuit Pulsed Current	$V_O=0V, V_{IN}=5V, PW \leq 10\mu s$	120	200	-	mA
I_{O-}	Output Low Short Circuit Pulsed Current	$V_O=15V, V_{IN}=0V, PW \leq 10\mu s$	250	350	-	
V_{IH}	High Level Input Voltage		2.5	-	-	V
V_{IL}	Low Level Input Voltage		-	-	0.8	
I_{HIN+}	Input Bias Current	$V_{HIN}=5V$	-	650	850	μA
I_{HIN-}	Input Bias Current	$V_{HIN}=0V$	-	-	1	
I_{LIN+}	Input Bias Current	$V_{LIN}=5V$	-	650	850	
I_{LIN-}	Input Bias Current	$V_{LIN}=0V$	-	-	1	

Dynamic Electrical Characteristics

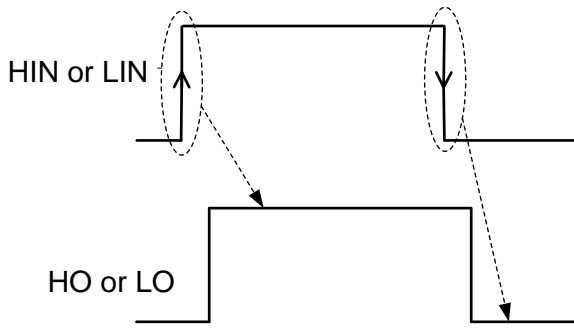
$V_{CC} = V_{BS} = 15V$, $C_L = 1000pF$ and $T_A = 25^\circ C$ unless otherwise specified.

Symbol	Definition	Conditions	Min.	Typ.	Max.	Units
t_{ON}	Turn-On Propagation Delay	$V_{IN}=0V$ or $5V$	400	530	750	ns
t_{OFF}	Turn-Off Propagation Delay		400	530	750	
t_R	Turn-On Rise Time		-	125	190	
t_F	Turn-Off Fall Time		-	50	75	
$t_{IN,FLT}$	Input Filter Time (LIN, HIN) ⁽⁵⁾		200	350	510	
DT	Dead Time ⁽⁶⁾	$V_{IN}=0V$ or $5V$ without External Dead Time	190	275	420	
MT	Matching Delay Time (t_{ON} , t_{OFF})	$ t_{ON(HO)} - t_{ON(LO)} $ or $ t_{OFF(HO)} - t_{OFF(LO)} $	-	-	50	
PM	Output Pulse Width Matching ⁽⁷⁾	Input Pulse Width= $10\mu s$	-	-	75	

Notes:

5. The minimum width of the input pulse is recommended to exceed 500ns to ensure the filtering time of the input filter is exceeded.
6. Please refer to 'Dead Time' definition of 'Function Diagram'.
7. PM is defined as $|(Input\ Pulse\ Width) - (Output\ Pulse\ Width)|$.

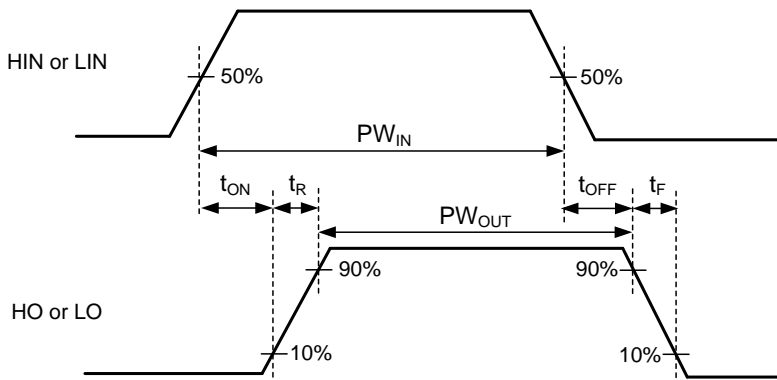
Output Activation



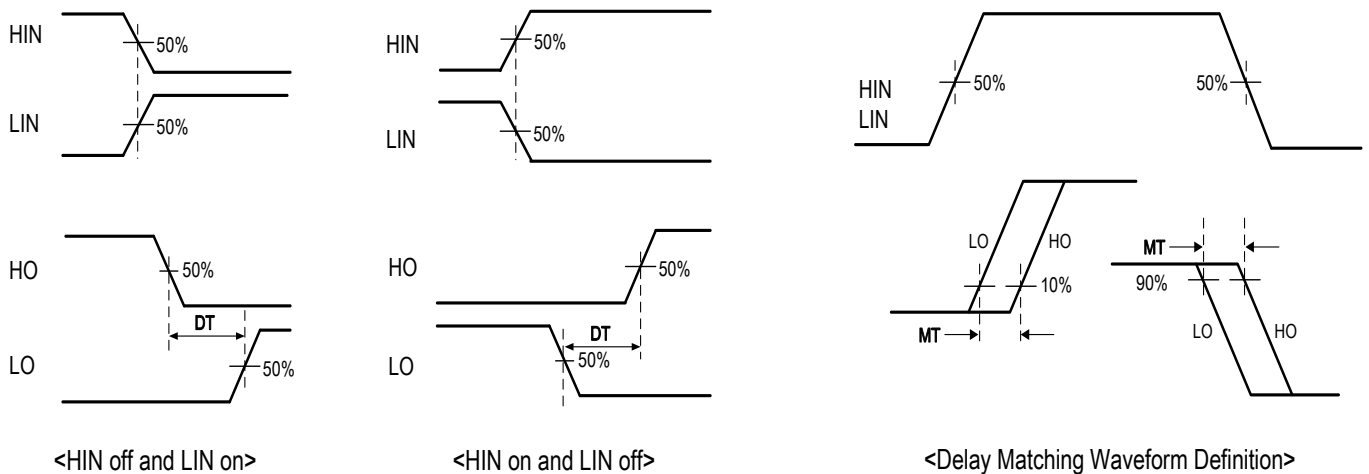
HIN	LIN	HO	LO
H	L	H	L
L	H	L	H

Note: Output signal (HO or LO) is triggered by the edge of input signal.

Input / Output Timing Diagram

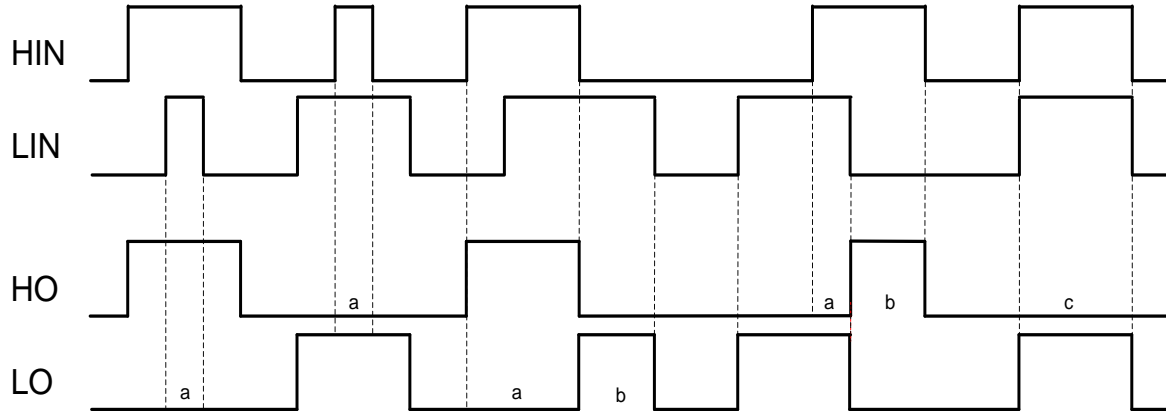


Dead Time Activation



Function Timing Diagram

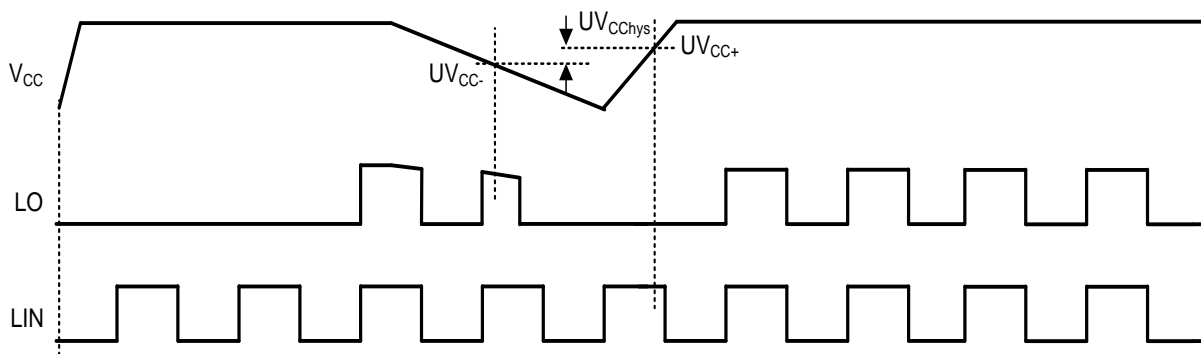
A. Shoot-Through (Cross-Conduction) Protection Logic Timing Diagram



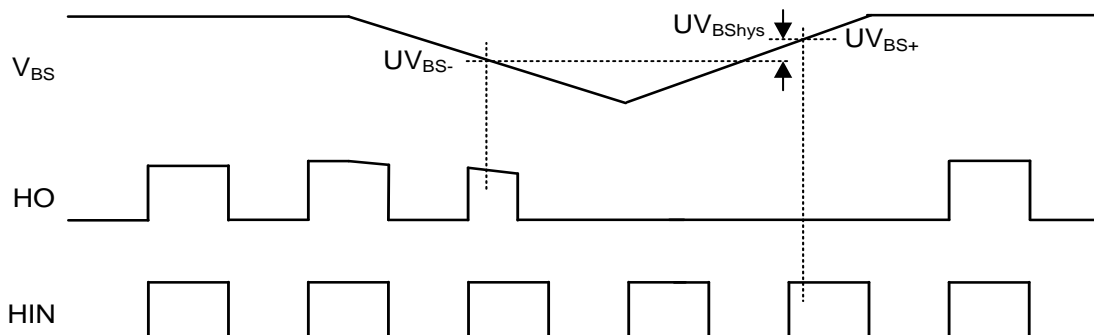
Notes:

- a. When one output (high or low side) is turned on, the other side turn-on input is ignored.
- b. If both outputs are changed simultaneously, the turn-on activation is done by the internal dead time of 275ns typ. (For more information, please refer to below 'Dead Time' section.)
- c. When high-side (HIN) and low-side (LIN) have turn-on inputs at the same time, low-side (LIN) has the priority.

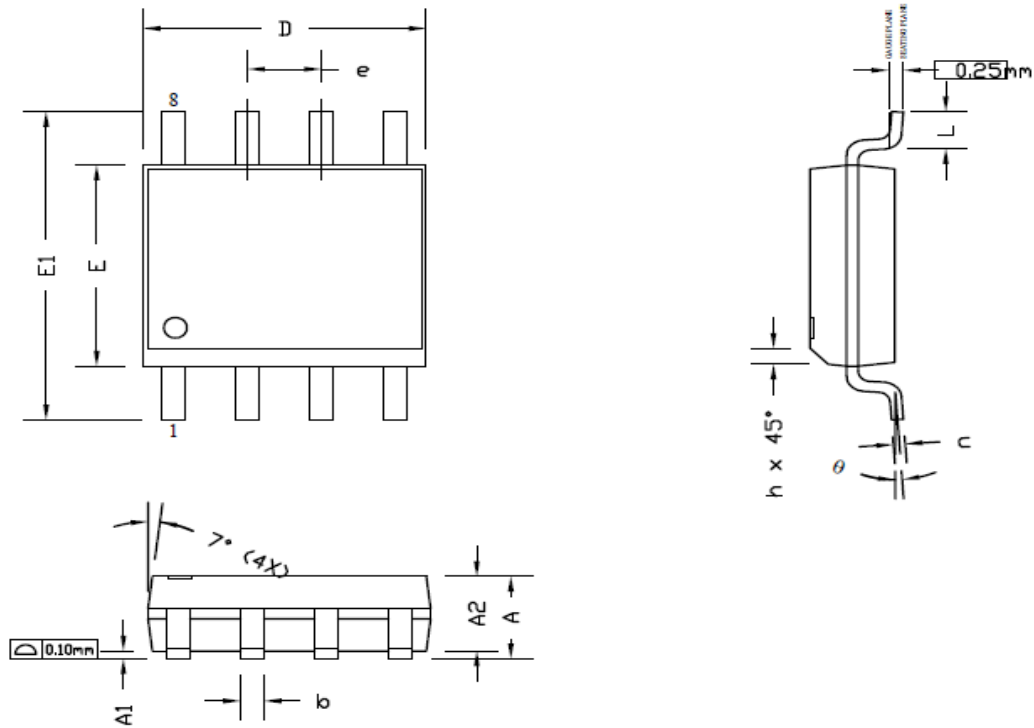
B. V_{CC} Supply Under-Voltage (UV) Lockout Timing Diagram



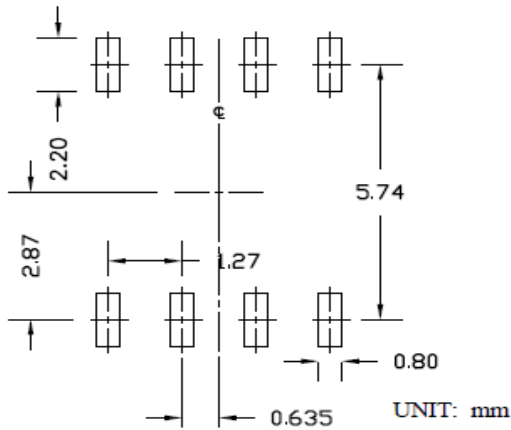
C. V_{BS} Supply Under-Voltage (UV) Lockout Timing Diagram



Package Dimensions, SOP-8L



RECOMMENDED LAND PATTERN



SYMBOLS	DIMENSIONS IN MILLIMETERS			DIMENSIONS IN INCHES		
	MIN	NOM	MAX	MIN	NOM	MAX
A	1.35	1.65	1.75	0.053	0.065	0.069
A1	0.10	0.15	0.25	0.004	0.006	0.010
A2	1.25	1.50	1.65	0.049	0.059	0.065
b	0.31	0.41	0.51	0.012	0.016	0.020
c	0.17	0.20	0.25	0.007	0.008	0.010
D	4.80	4.90	5.00	0.189	0.193	0.197
E	3.80	3.90	4.00	0.150	0.154	0.157
e	1.27 BSC			0.050 BSC		
E1	5.80	6.00	6.20	0.228	0.236	0.244
h	0.25	0.30	0.50	0.010	0.012	0.020
L	0.40	0.69	1.27	0.016	0.027	0.050
θ	0°	4°	8°	0°	4°	8°

NOTE

1. ALL DIMENSIONS ARE IN MILLIMETERS.
2. DIMENSIONS ARE INCLUSIVE OF PLATING.
3. PACKAGE BODY SIZES EXCLUDE MOLD FLASH AND GATE BURRS.
MOLD FLASH AT THE NON-LEAD SIDES SHOULD BE LESS THAN 6 MILS EACH.
4. DIMENSION L IS MEASURED IN GAUGE PLANE.
5. CONTROLLING DIMENSION IS MILLIMETER.
CONVERTED INCH DIMENSIONS ARE NOT NECESSARILY EXACT.

LEGAL DISCLAIMER

Applications or uses as critical components in life support devices or systems are not authorized. AOS does not assume any liability arising out of such applications or uses of its products. AOS reserves the right to make changes to product specifications without notice. It is the responsibility of the customer to evaluate suitability of the product for their intended application. Customer shall comply with applicable legal requirements, including all applicable export control rules, regulations and limitations.

AOS' products are provided subject to AOS' terms and conditions of sale which are set forth at: http://www.aosmd.com/terms_and_conditions_of_sale

LIFE SUPPORT POLICY

ALPHA & OMEGA SEMICONDUCTOR PRODUCTS ARE NOT AUTHORIZED FOR USE AS CRITICAL COMPONENTS IN LIFE SUPPORT DEVICES OR SYSTEMS.

As used herein:

1. Life support devices or systems are devices or systems which, (a) are intended for surgical implant into the body or (b) support or sustain life, and (c) whose failure to perform when properly used in accordance with instructions for use provided in the labeling, can be reasonably expected to result in a significant injury of the user.
2. A critical component in any component of a life support, device, or system whose failure to perform can be reasonably expected to cause the failure of the life support device or system, or to affect its safety or effectiveness.

单击下面可查看定价，库存，交付和生命周期等信息

[>>AOS\(万代\)](#)