

### General Description

The AO4488 uses advanced trench technology to provide excellent  $R_{DS(ON)}$  with low gate charge. This device is ESD protected and it is suitable for use as a load switch or in PWM applications.

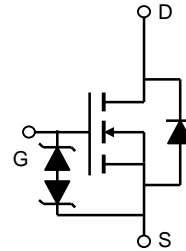
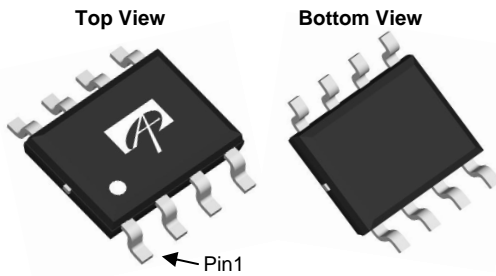
### Product Summary

$V_{DS}$  (V) = 30V  
 $I_D$  = 20A ( $V_{GS}$  = 10V)  
 $R_{DS(ON)}$  < 4.6m $\Omega$  ( $V_{GS}$  = 10V)  
 $R_{DS(ON)}$  < 6.4m $\Omega$  ( $V_{GS}$  = 4.5V)

ESD Protected  
 100% UIS Tested  
 100% Rg Tested



SOIC-8



### Absolute Maximum Ratings $T_A=25^\circ\text{C}$ unless otherwise noted

Parameter	Symbol	10 Sec	Steady State	Units	
Drain-Source Voltage	$V_{DS}$	30		V	
Gate-Source Voltage	$V_{GS}$	$\pm 20$		V	
Continuous Drain Current <sup>A</sup>	$I_D$	$T_A=25^\circ\text{C}$	20	15	A
		$T_A=70^\circ\text{C}$	17	12	
Pulsed Drain Current <sup>B</sup>	$I_{DM}$	80			
Avalanche Current <sup>G</sup>	$I_{AR}$	50			
Repetitive avalanche energy $L=0.3\text{mH}$ <sup>G</sup>	$E_{AR}$	375		mJ	
Power Dissipation <sup>A</sup>	$P_D$	$T_A=25^\circ\text{C}$	3.1	1.7	W
		$T_A=70^\circ\text{C}$	2.0	1.1	
Junction and Storage Temperature Range	$T_J, T_{STG}$	-55 to 150		$^\circ\text{C}$	

### Thermal Characteristics

Parameter	Symbol	Typ	Max	Units
Maximum Junction-to-Ambient <sup>A</sup>	$R_{\theta JA}$	31	40	$^\circ\text{C/W}$
Maximum Junction-to-Ambient <sup>A</sup>		Steady State	59	75
Maximum Junction-to-Lead <sup>C</sup>	$R_{\theta JL}$	16	24	$^\circ\text{C/W}$

Electrical Characteristics ( $T_J=25^\circ\text{C}$  unless otherwise noted)

Symbol	Parameter	Conditions	Min	Typ	Max	Units
<b>STATIC PARAMETERS</b>						
$BV_{DSS}$	Drain-Source Breakdown Voltage	$I_D = 250\mu\text{A}$ , $V_{GS} = 0\text{V}$	30	35.5		V
$I_{DSS}$	Zero Gate Voltage Drain Current	$V_{DS} = 30\text{V}$ , $V_{GS} = 0\text{V}$ $T_J = 55^\circ\text{C}$			1 5	$\mu\text{A}$
$I_{GSS}$	Gate-Body leakage current	$V_{DS} = 0\text{V}$ , $V_{GS} = \pm 16\text{V}$			$\pm 10$	
$V_{GS(th)}$	Gate Threshold Voltage	$V_{DS} = V_{GS}$ , $I_D = 250\mu\text{A}$	1.0	1.7	2.5	V
$I_{D(ON)}$	On state drain current	$V_{GS} = 10\text{V}$ , $V_{DS} = 5\text{V}$	80			A
$R_{DS(ON)}$	Static Drain-Source On-Resistance	$V_{GS} = 10\text{V}$ , $I_D = 20\text{A}$ $T_J = 125^\circ\text{C}$ $V_{GS} = 4.5\text{V}$ , $I_D = 18\text{A}$		3.8 5.3 5.2	4.6 6.5 6.4	$\text{m}\Omega$
$g_{FS}$	Forward Transconductance	$V_{DS} = 5\text{V}$ , $I_D = 20\text{A}$		72		S
$V_{SD}$	Diode Forward Voltage	$I_S = 1\text{A}$ , $V_{GS} = 0\text{V}$		0.69	1	V
$I_S$	Maximum Body-Diode Continuous Current				3	A
<b>DYNAMIC PARAMETERS</b>						
$C_{iss}$	Input Capacitance	$V_{GS}=0\text{V}$ , $V_{DS}=15\text{V}$ , $f=1\text{MHz}$		5450	6800	pF
$C_{oss}$	Output Capacitance			760		pF
$C_{rss}$	Reverse Transfer Capacitance			540		pF
$R_g$	Gate resistance	$V_{GS}=0\text{V}$ , $V_{DS}=0\text{V}$ , $f=1\text{MHz}$		1	1.5	$\Omega$
<b>SWITCHING PARAMETERS</b>						
$Q_g(10\text{V})$	Total Gate Charge	$V_{GS}=10\text{V}$ , $V_{DS}=15\text{V}$ , $I_D=20\text{A}$		84	112	nC
$Q_g(4.5\text{V})$	Total Gate Charge			42	56	nC
$Q_{gs}$	Gate Source Charge			12		nC
$Q_{gd}$	Gate Drain Charge			21		nC
$t_{D(on)}$	Turn-On Delay Time	$V_{GS}=10\text{V}$ , $V_{DS}=15\text{V}$ , $R_L=0.75\Omega$ , $R_{GEN}=3\Omega$		13		ns
$t_r$	Turn-On Rise Time			9.8		ns
$t_{D(off)}$	Turn-Off Delay Time			49		ns
$t_f$	Turn-Off Fall Time			16		ns
$t_{rr}$	Body Diode Reverse Recovery Time	$I_F=20\text{A}$ , $dI/dt=100\text{A}/\mu\text{s}$		42	56	ns
$Q_{rr}$	Body Diode Reverse Recovery Charge	$I_F=20\text{A}$ , $dI/dt=100\text{A}/\mu\text{s}$		31		nC

A: The value of  $R_{\theta JA}$  is measured with the device mounted on 1 in<sup>2</sup> FR-4 board with 2oz. Copper, in a still air environment with  $T_A = 25^\circ\text{C}$ . The value in any given application depends on the user's specific board design. The current rating is based on the  $t \leq 10\text{s}$  thermal resistance rating.

B: Repetitive rating, pulse width limited by junction temperature.

C: The  $R_{\theta JA}$  is the sum of the thermal impedance from junction to lead  $R_{\theta JL}$  and lead to ambient.

D: The static characteristics in Figures 1 to 6 are obtained using  $< 300\mu\text{s}$  pulses, duty cycle 0.5% max.

E: These tests are performed with the device mounted on 1 in<sup>2</sup> FR-4 board with 2oz. Copper, in a still air environment with  $T_A=25^\circ\text{C}$ . The SOA curve provides a single pulse rating.

F: The current rating is based on the  $t \leq 10\text{s}$  thermal resistance rating.

G:  $E_{AR}$  and  $I_{AR}$  ratings are based on low frequency and duty cycles to keep  $T_J=25^\circ\text{C}$ .

Rev6: Nov. 2010

THIS PRODUCT HAS BEEN DESIGNED AND QUALIFIED FOR THE CONSUMER MARKET. APPLICATIONS OR USES AS CRITICAL COMPONENTS IN LIFE SUPPORT DEVICES OR SYSTEMS ARE NOT AUTHORIZED. AOS DOES NOT ASSUME ANY LIABILITY ARISING OUT OF SUCH APPLICATIONS OR USES OF ITS PRODUCTS. AOS RESERVES THE RIGHT TO IMPROVE PRODUCT DESIGN, FUNCTIONS AND RELIABILITY WITHOUT NOTICE.

TYPICAL ELECTRICAL AND THERMAL CHARACTERISTICS

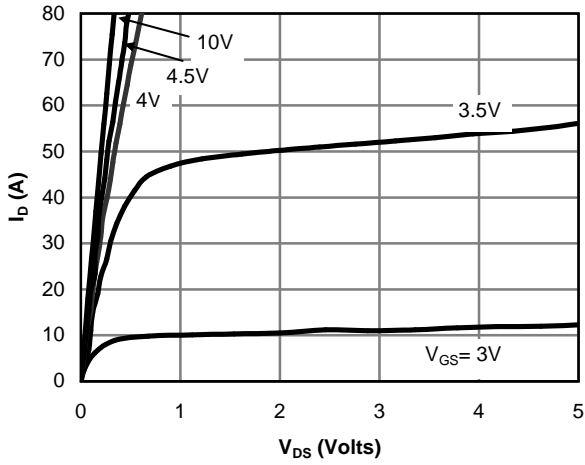


Figure 1: On-Region Characteristics

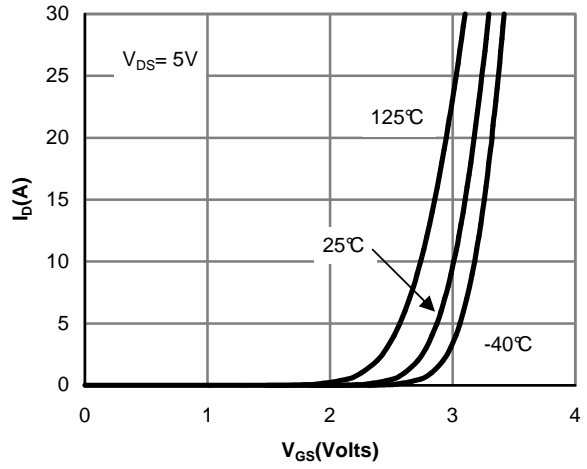


Figure 2: Transfer Characteristics

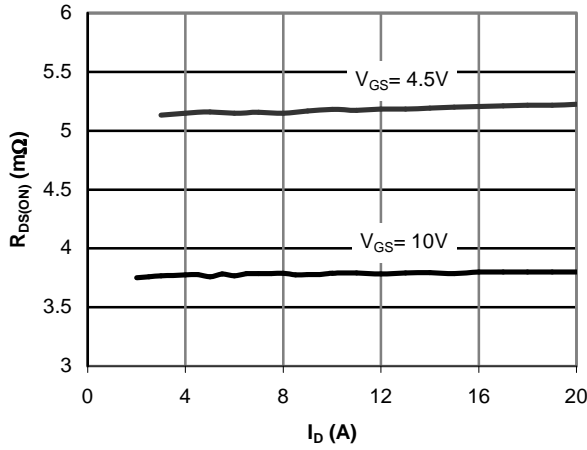


Figure 3: On-Resistance vs. Drain Current and Gate Voltage

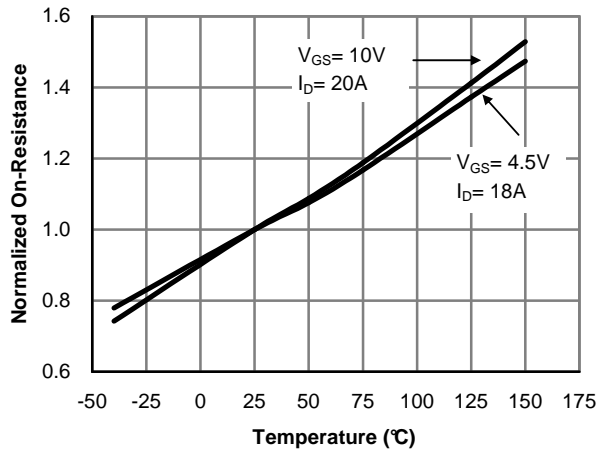


Figure 4: On-Resistance vs. Junction Temperature

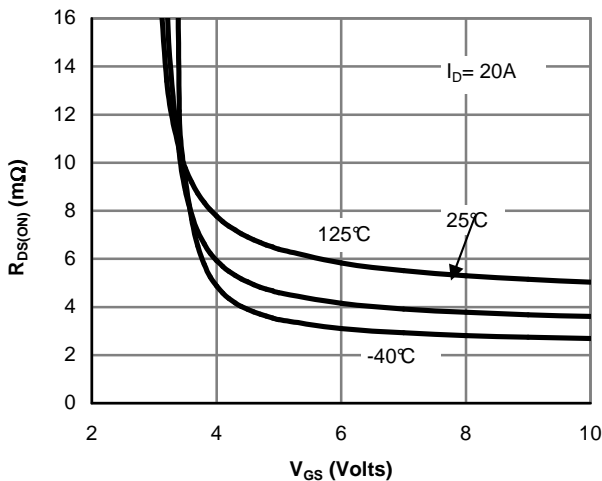


Figure 5: On-Resistance vs. Gate-Source Voltage

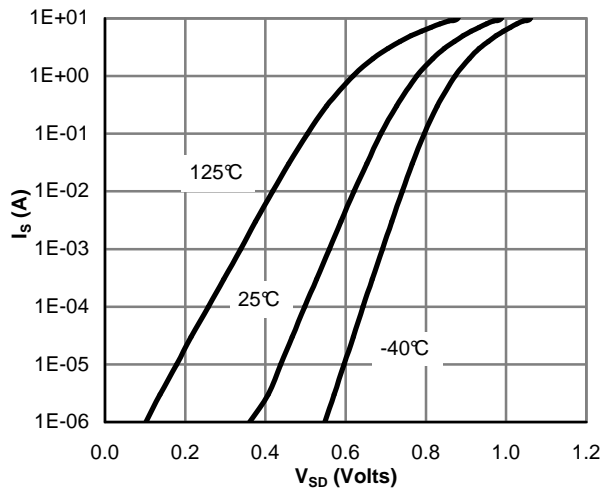


Figure 6: Body-Diode Characteristics

TYPICAL ELECTRICAL AND THERMAL CHARACTERISTICS

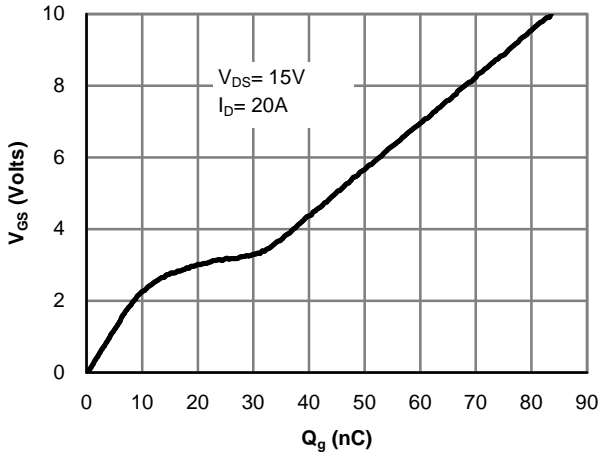


Figure 7: Gate-Charge Characteristics

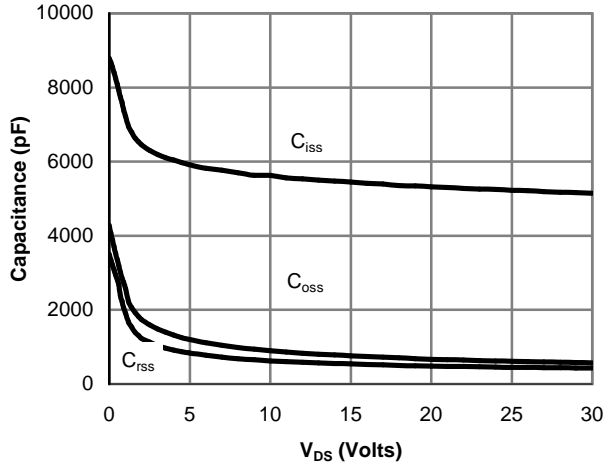


Figure 8: Capacitance Characteristics

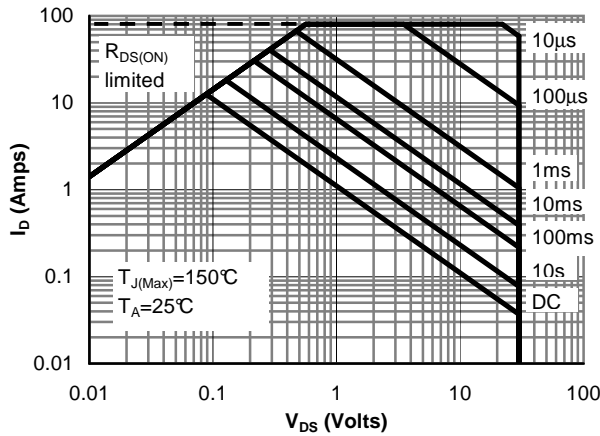


Figure 9: Maximum Forward Biased Safe Operating Area (Note E)

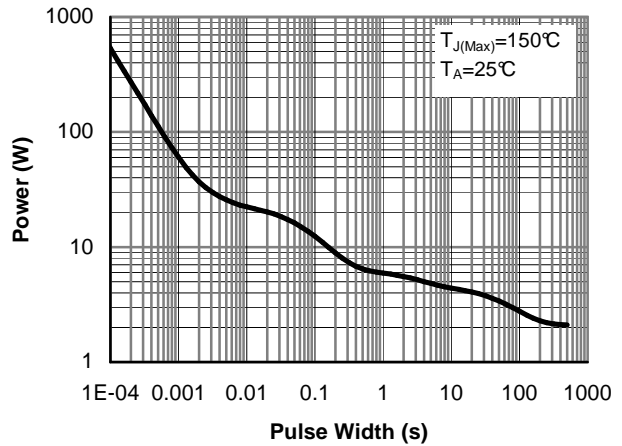


Figure 10: Single Pulse Power Rating Junction-to-Ambient (Note E)

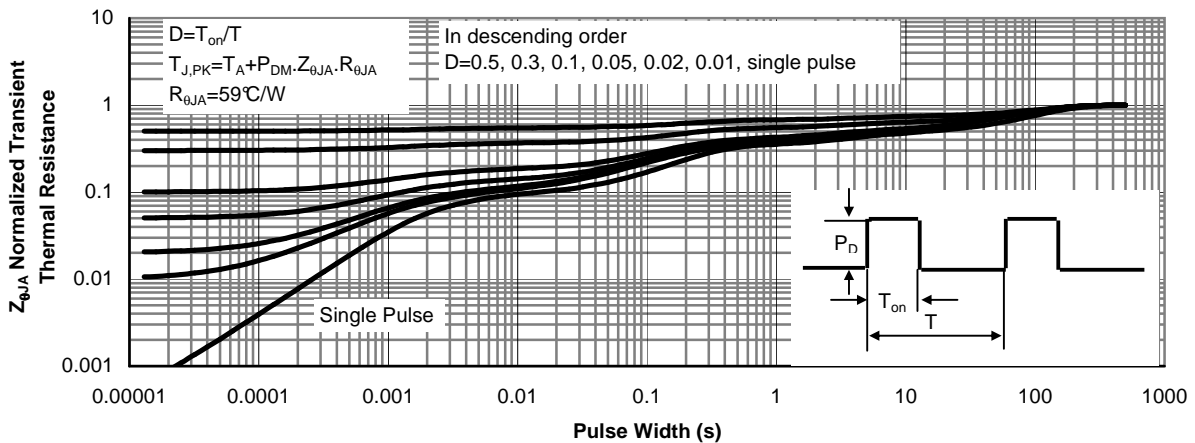
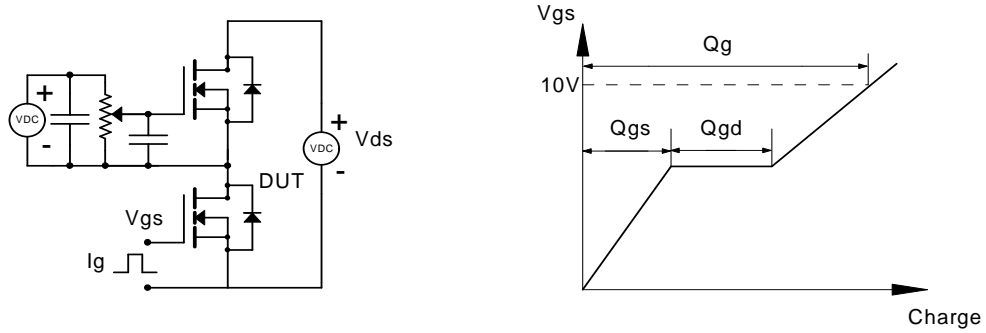
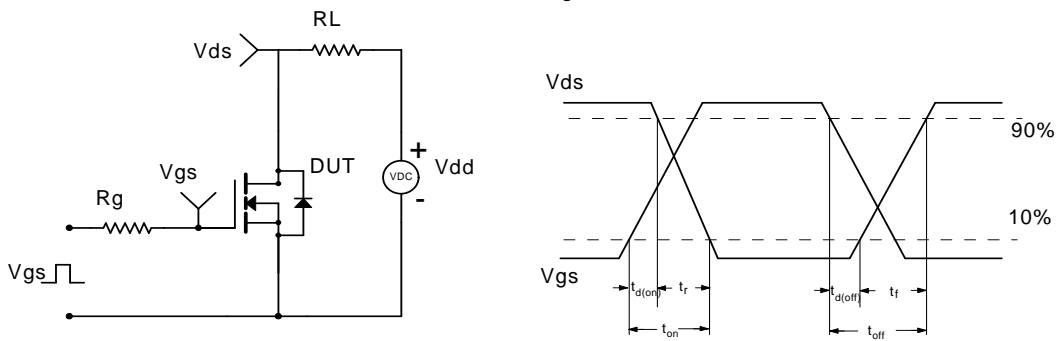


Figure 11: Normalized Maximum Transient Thermal Impedance (Note E)

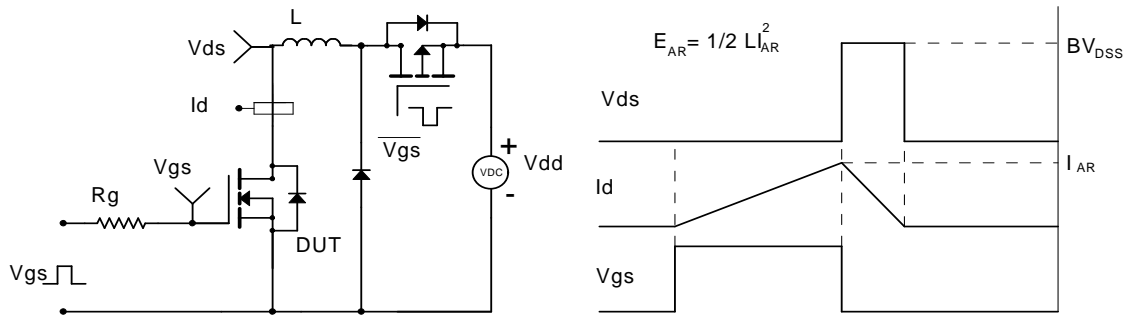
Gate Charge Test Circuit & Waveform



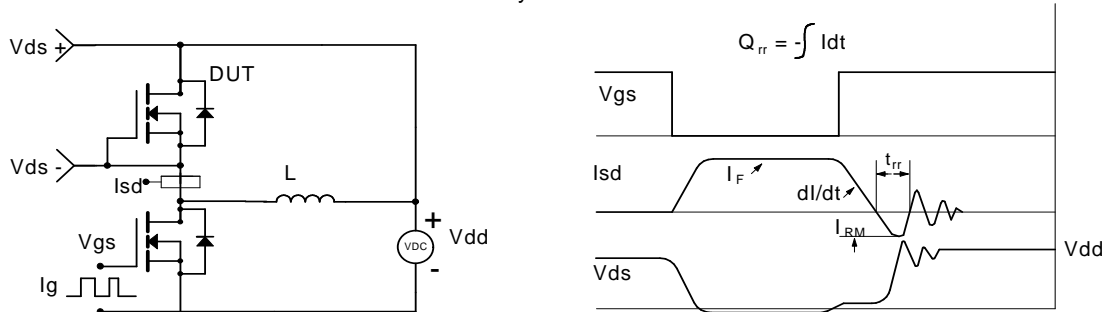
Resistive Switching Test Circuit & Waveforms



Unclamped Inductive Switching (UIS) Test Circuit & Waveforms



Diode Recovery Test Circuit & Waveforms



单击下面可查看定价，库存，交付和生命周期等信息

[>>AOS\(万代\)](#)