

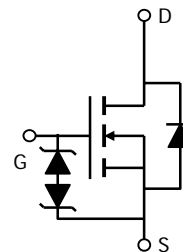
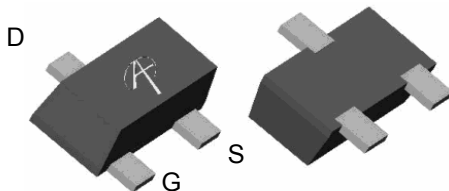
AO5404E
N-Channel Enhancement Mode Field Effect Transistor
General Description

The AO5404E/L uses advanced trench technology to provide excellent $R_{DS(ON)}$, low gate charge and operation with gate voltages as low as 1.8V. This device is suitable for use as a load switch or in PWM applications. AO5404E and AO5404EL are electrically identical.

- RoHS compliant
- AO5404EL is Halogen Free

Features

- V_{DS} (V) = 20V
- I_D = 0.5 A (V_{GS} = 4.5V)
- $R_{DS(ON)} < 0.55 \Omega$ (V_{GS} = 4.5V)
- $R_{DS(ON)} < 0.68 \Omega$ (V_{GS} = 2.5V)
- $R_{DS(ON)} < 0.80 \Omega$ (V_{GS} = 1.8V)

ESD PROTECTED!
SC89-3L

Absolute Maximum Ratings $T_A=25^\circ\text{C}$ unless otherwise noted

Parameter	Symbol	10 Sec	Steady State	Units
Drain-Source Voltage	V_{DS}	20		V
Gate-Source Voltage	V_{GS}	± 8		V
Continuous Drain Current ^{A, F}	I_D	$T_A=25^\circ\text{C}$	0.5	A
		$T_A=70^\circ\text{C}$	0.5	
Pulsed Drain Current ^B	I_{DM}	3		
Power Dissipation ^A	P_D	$T_A=25^\circ\text{C}$	0.38	W
		$T_A=70^\circ\text{C}$	0.24	
Junction and Storage Temperature Range	T_J, T_{STG}	-55 to 150		$^\circ\text{C}$

Thermal Characteristics

Parameter	Symbol	Typ	Max	Units
Maximum Junction-to-Ambient ^A	$R_{\theta JA}$	$t \leq 10\text{s}$	275	$^\circ\text{C/W}$
Maximum Junction-to-Ambient ^A		Steady-State	360	$^\circ\text{C/W}$
Maximum Junction-to-Lead ^C	$R_{\theta JL}$	300	350	$^\circ\text{C/W}$

Electrical Characteristics ($T_J=25^\circ\text{C}$ unless otherwise noted)

Symbol	Parameter	Conditions	Min	Typ	Max	Units
STATIC PARAMETERS						
BV_{DSS}	Drain-Source Breakdown Voltage	$I_D=250\mu\text{A}$, $V_{GS}=0\text{V}$	20			V
I_{DSS}	Zero Gate Voltage Drain Current	$V_{DS}=20\text{V}$, $V_{GS}=0\text{V}$ $T_J=55^\circ\text{C}$			1	μA
					5	
I_{GSS}	Gate-Body leakage current	$V_{DS}=0\text{V}$, $V_{GS}=\pm 4.5\text{V}$			± 1	μA
		$V_{DS}=0\text{V}$, $V_{GS}=\pm 8\text{V}$			± 100	μA
$V_{GS(th)}$	Gate Threshold Voltage	$V_{DS}=V_{GS}$, $I_D=250\mu\text{A}$	0.45	0.6	1	V
$I_{D(ON)}$	On state drain current	$V_{GS}=4.5\text{V}$, $V_{DS}=5\text{V}$	3			A
$R_{DS(ON)}$	Static Drain-Source On-Resistance	$V_{GS}=4.5\text{V}$, $I_D=0.5\text{A}$ $T_J=125^\circ\text{C}$		0.395	0.55	Ω
				0.6	0.85	
		$V_{GS}=2.5\text{V}$, $I_D=0.5\text{A}$ $V_{GS}=1.8\text{V}$, $I_D=0.3\text{A}$		0.479	0.68	Ω
				0.578	0.8	Ω
g_{FS}	Forward Transconductance	$V_{DS}=5\text{V}$, $I_D=0.5\text{A}$		1.5		S
V_{SD}	Diode Forward Voltage	$I_S=0.1\text{A}$, $V_{GS}=0\text{V}$		0.65	1	V
I_S	Maximum Body-Diode Continuous Current				0.4	A
DYNAMIC PARAMETERS						
C_{iss}	Input Capacitance	$V_{GS}=0\text{V}$, $V_{DS}=10\text{V}$, $f=1\text{MHz}$		35	45	pF
C_{oss}	Output Capacitance			8		pF
C_{rss}	Reverse Transfer Capacitance			6		pF
SWITCHING PARAMETERS						
Q_g	Total Gate Charge	$V_{GS}=4.5\text{V}$, $V_{DS}=10\text{V}$, $I_D=0.5\text{A}$		0.63	1	nC
Q_{gs}	Gate Source Charge			0.08		nC
Q_{gd}	Gate Drain Charge			0.16		nC
$t_{D(on)}$	Turn-On Delay Time	$V_{GS}=5\text{V}$, $V_{DS}=10\text{V}$, $R_L=50\Omega$, $R_{GEN}=3\Omega$		4.5		ns
t_r	Turn-On Rise Time			3.3		ns
$t_{D(off)}$	Turn-Off Delay Time			78		ns
t_f	Turn-Off Fall Time			32		ns
t_{rr}	Body Diode Reverse Recovery Time	$I_F=0.5\text{A}$, $dI/dt=100\text{A}/\mu\text{s}$		8	10	ns
Q_{rr}	Body Diode Reverse Recovery Charge	$I_F=0.5\text{A}$, $dI/dt=100\text{A}/\mu\text{s}$		2		nC

A: The value of $R_{\theta JA}$ is measured with the device mounted on 1 in² FR-4 board with 2oz. Copper, in a still air environment with $T_A=25^\circ\text{C}$. The value in any given application depends on the user's specific board design. The current rating is based on the $t \leq 10\text{s}$ thermal resistance rating.

B: Repetitive rating, pulse width limited by junction temperature.

C: The $R_{\theta JA}$ is the sum of the thermal impedance from junction to lead $R_{\theta JL}$ and lead to ambient.

D: The static characteristics in Figures 1 to 6, 12, 14 are obtained using $<300 \mu\text{s}$ pulses, duty cycle 0.5% max.

E: These tests are performed with the device mounted on 1 in² FR-4 board with 2oz. Copper, in a still air environment with $T_A=25^\circ\text{C}$. The SOA curve provides a single pulse rating.

F: The maximum current rating is limited by bond-wires

Rev3: Aug, 08

THIS PRODUCT HAS BEEN DESIGNED AND QUALIFIED FOR THE CONSUMER MARKET. APPLICATIONS OR USES AS CRITICAL COMPONENTS IN LIFE SUPPORT DEVICES OR SYSTEMS ARE NOT AUTHORIZED. AOS DOES NOT ASSUME ANY LIABILITY ARISING OUT OF SUCH APPLICATIONS OR USES OF ITS PRODUCTS. AOS RESERVES THE RIGHT TO IMPROVE PRODUCT DESIGN, FUNCTIONS AND RELIABILITY WITHOUT NOTICE.

TYPICAL ELECTRICAL AND THERMAL CHARACTERISTICS

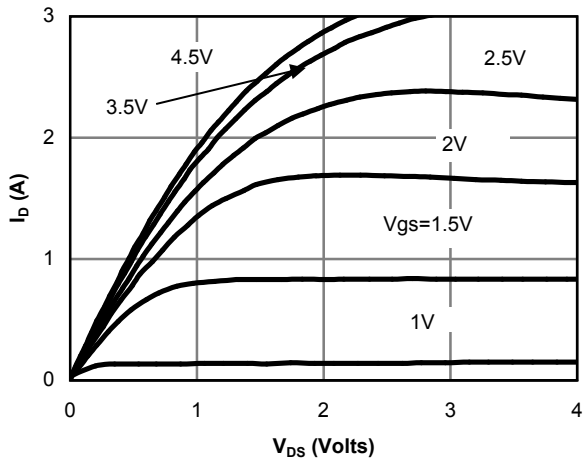


Figure 1: On-Region Characteristics

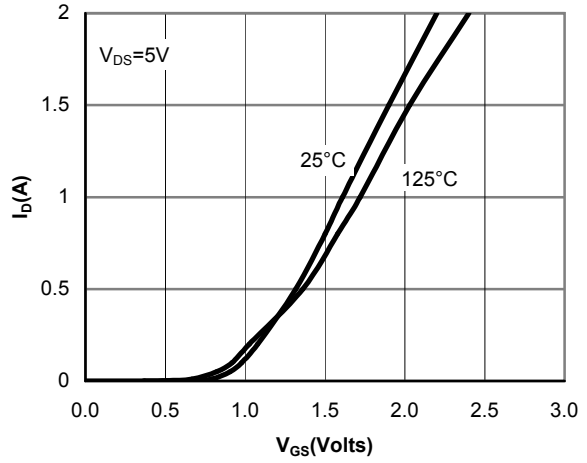


Figure 2: Transfer Characteristics

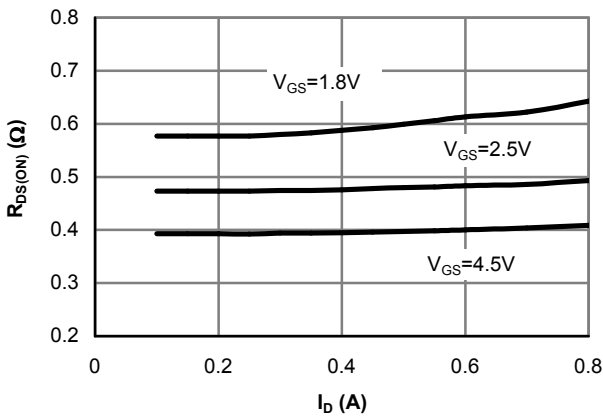


Figure 3: On-Resistance vs. Drain Current and Gate Voltage

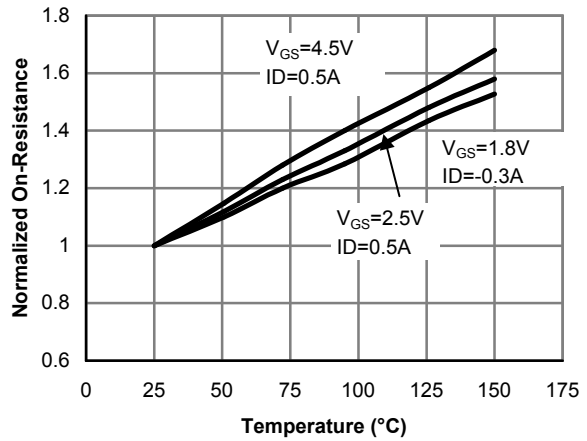


Figure 4: On-Resistance vs. Junction Temperature

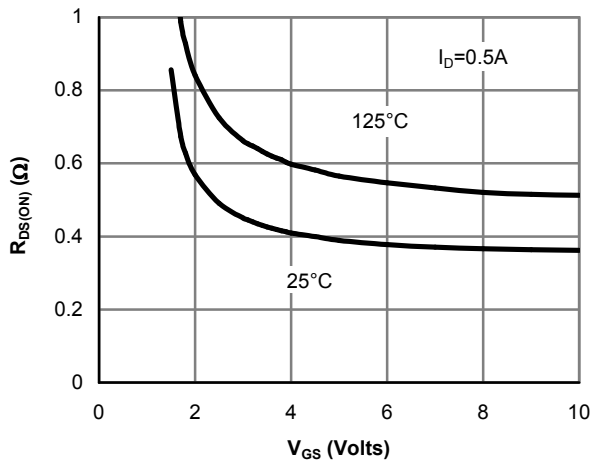


Figure 5: On-Resistance vs. Gate-Source Voltage

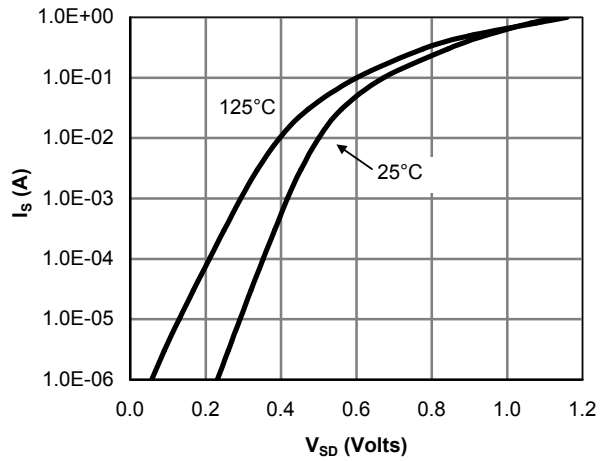


Figure 6: Body-Diode Characteristics

TYPICAL ELECTRICAL AND THERMAL CHARACTERISTICS

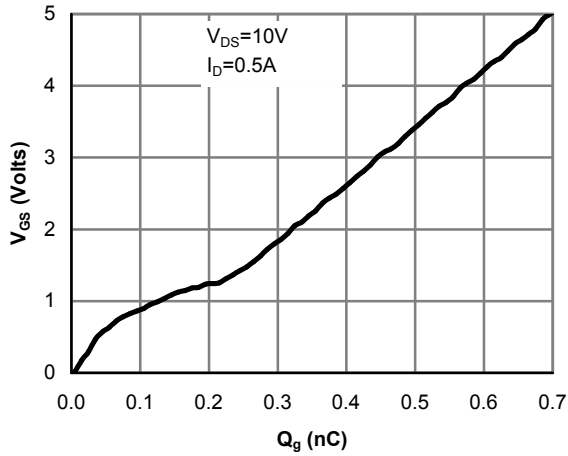


Figure 7: Gate-Charge Characteristics

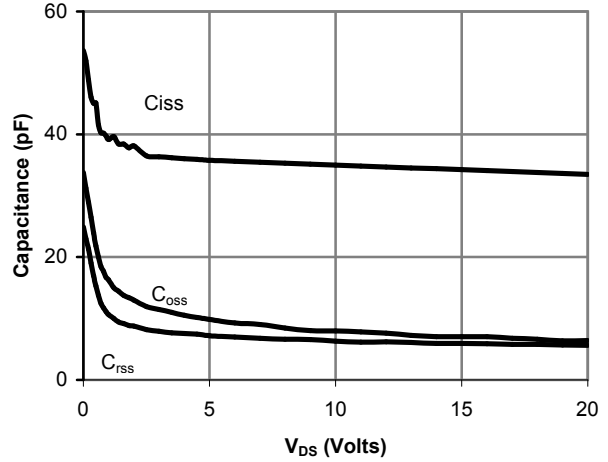


Figure 8: Capacitance Characteristics

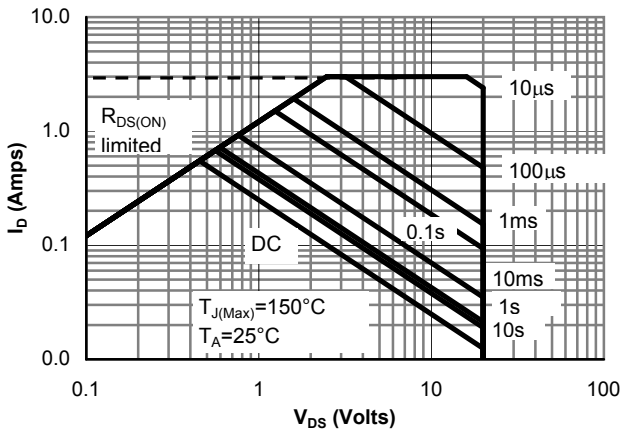


Figure 9: Maximum Forward Biased Safe Operating Area (Note E)

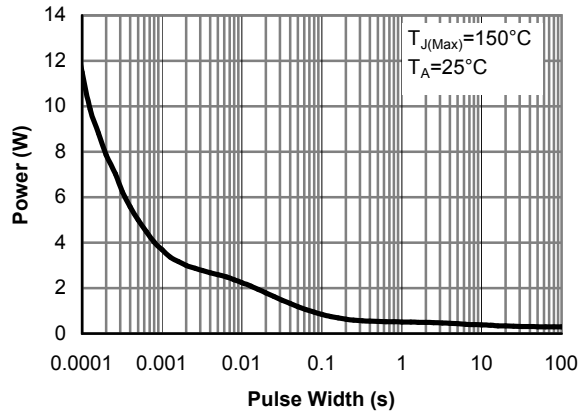


Figure 10: Single Pulse Power Rating Junction-to-Ambient (Note E)

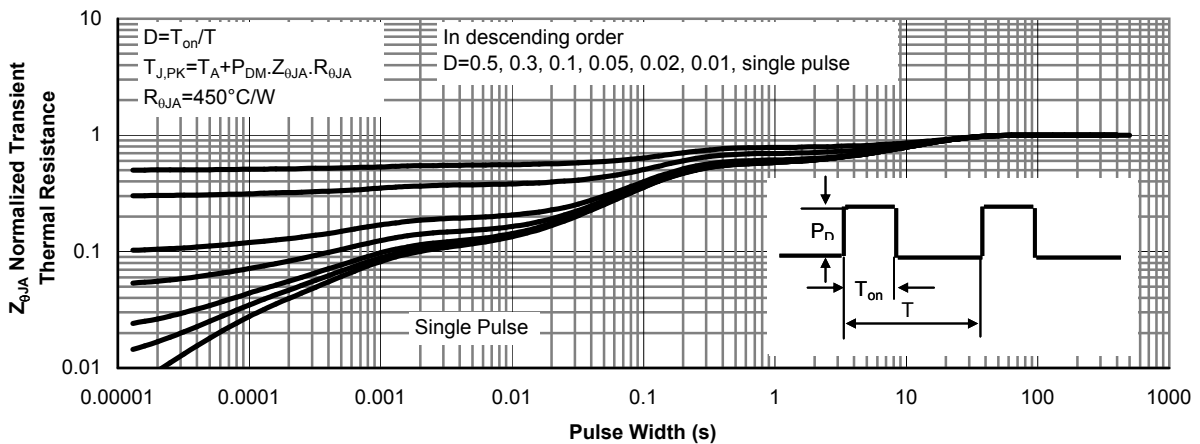
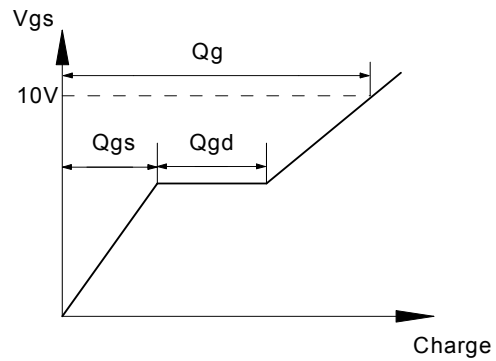
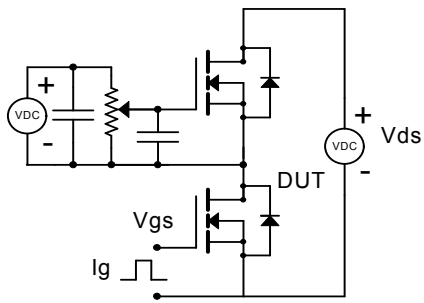
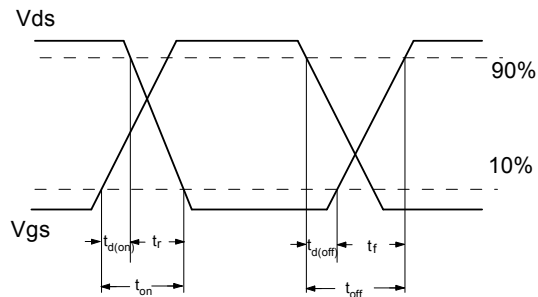
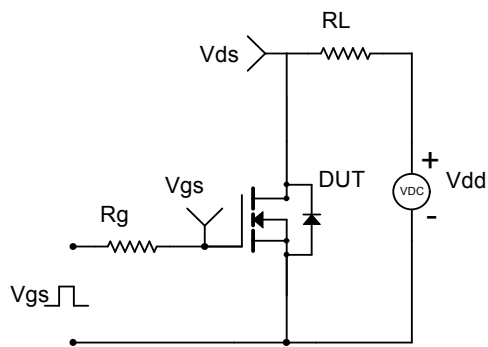


Figure 11: Normalized Maximum Transient Thermal Impedance

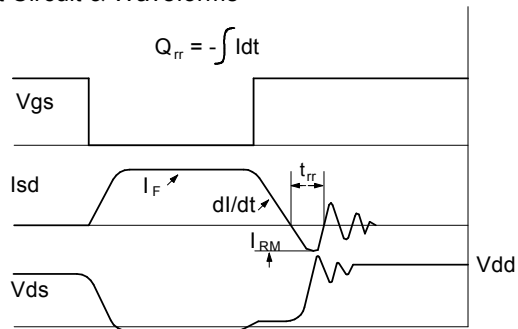
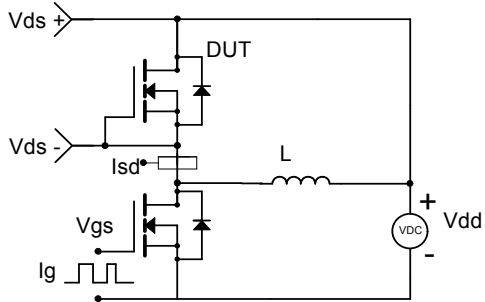
Gate Charge Test Circuit & Waveform



Resistive Switching Test Circuit & Waveforms



Diode Recovery Test Circuit & Waveforms



单击下面可查看定价，库存，交付和生命周期等信息

[>>AOS\(万代\)](#)