

General Description

The AOZ1117 is a low dropout positive adjustable or fixed-mode regulator with minimum of 1A output current capability. The product is specifically designed to provide well-regulated supply for low voltage IC applications such as high-speed bus termination and low current 3.3V logic supply. The AOZ1117 is also well suited for other applications such as VGA cards. The AOZ1117 is guaranteed to have lower than 1.4V dropout at full load current making it ideal to provide well-regulated outputs of 1.25V to 5.0V with 2.75V to 14V input supply.

Features

- 1.4V maximum dropout at full load current
- Fast transient response
- Output current limiting
- Built-in thermal shutdown
- Good noise rejection
- 3-terminal adjustable or fixed 1.5V, 1.8V, 2.5V, 3.3V, or 5.0V
- TO252 package

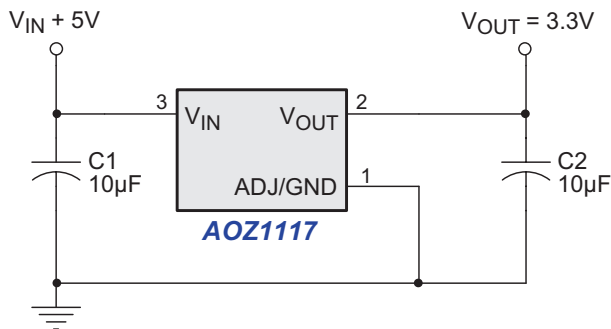
Applications

- PC peripheral
- Communication

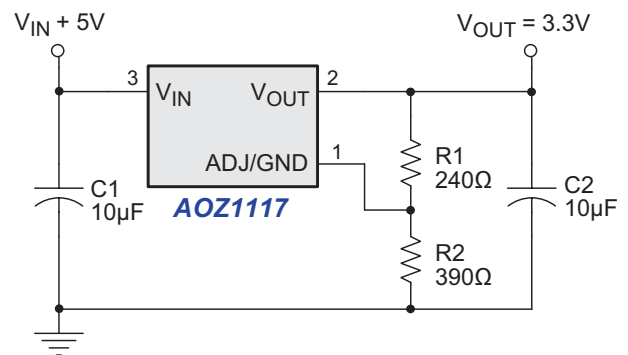


Typical Circuits

Fixed Output Example



Adjustable Output Example



$$V_{OUT} = V_{REF} \times \left(1 + \frac{R_2}{R_1}\right)$$

$$V_{REF} = 1.250V$$

Figure 1.

Ordering Information

Part Number	Output Voltage	Ambient Temperature Range	Package	Environmental
AOZ1117TI-AAL	Adjustable	-40°C to +85°C	TO-252	Green Product
AOZ1117TI-15L	1.5V			
AOZ1117TI-18L	1.8V			
AOZ1117TI-25L	2.5V			
AOZ1117TI-33L	3.3V			
AOZ1117TI-50L	5.0V			

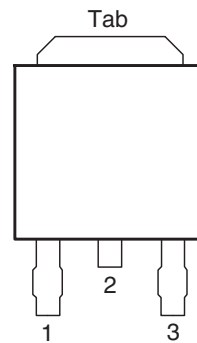
- All AOS products are offered in packages with Pb-free plating and compliant to RoHS standards.
 - Parts marked as Green Products (with “L” suffix) use reduced levels of Halogens, and are also RoHS compliant.
- Please visit www.aosmd.com/web/quality/rohs_compliant.jsp for additional information.

Pin Configuration

Pinout:

1. Adjust/Ground
2. V_{OUT}
3. V_{IN}

Heat sink tab is connected to Pin 2.



TO-252
(Top View)

Pin Description

Name	I/O	Pin #	Function
Adj (GND)	I	1	A resistor divider from this pin to the Vout pin and ground sets the output voltage. (Ground only for Fixed-Mode)
Vout	O	2	The output of the regulator. A minimum of 10uF capacitor ($0.15\Omega \leq ESR \leq 20\Omega$) must be connected from this pin to ground to insure stability.
Vin	I	3	The input pin of regulator. Typically a large storage capacitor ($0.15\Omega \leq ESR \leq 20\Omega$) is connected from this pin to ground to insure that the input voltage does not sag below the minimum dropout voltage during the load transient response. This pin must always be 1.4V higher than Vout in order for the device to regulate properly.

Electrical Characteristics

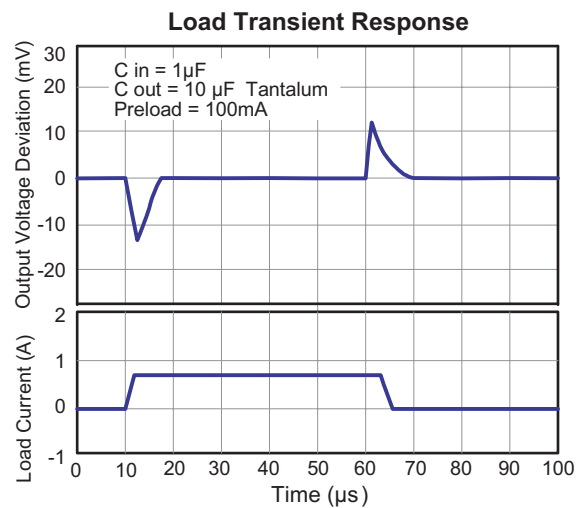
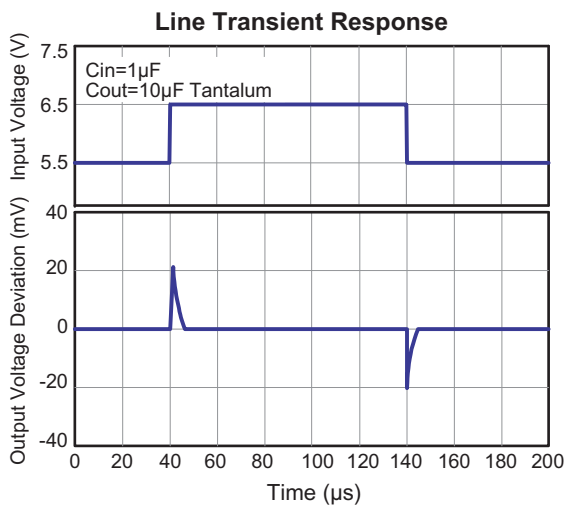
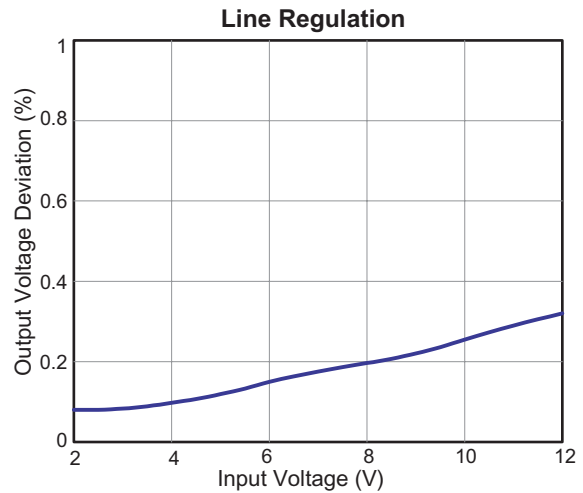
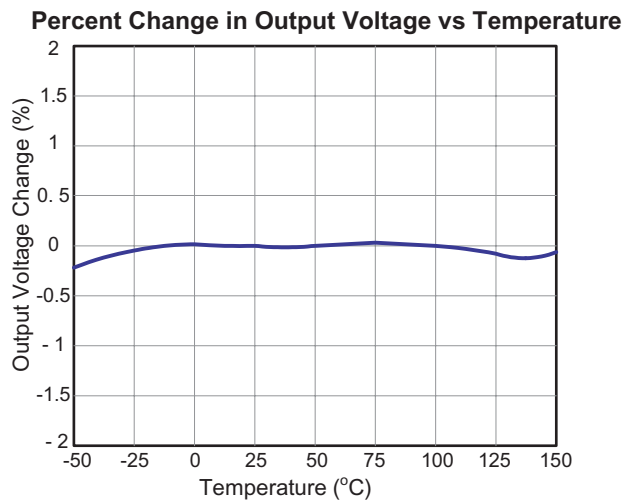
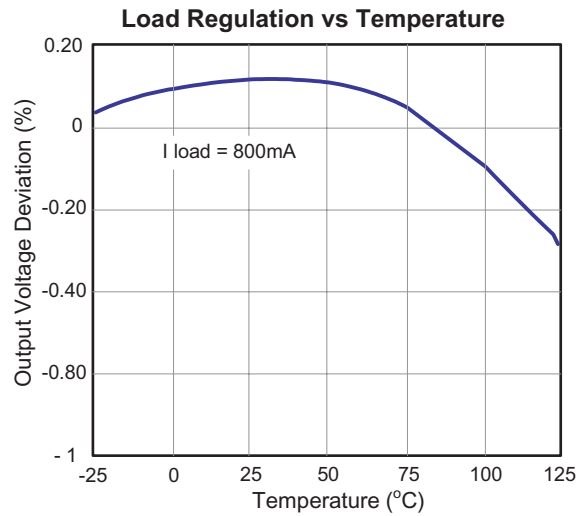
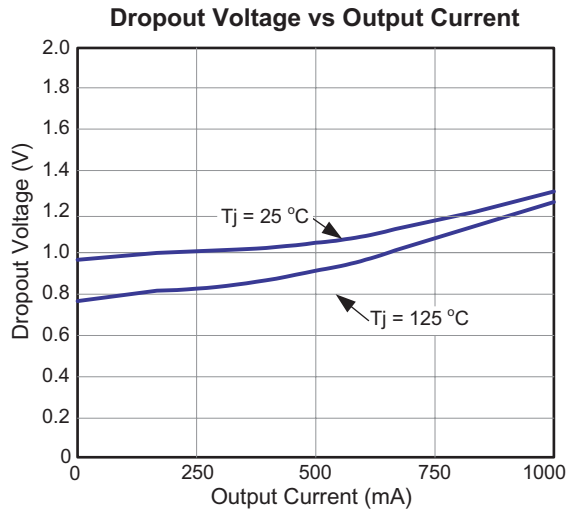
Under Operating Conditions

Parameter	Device	Conditions	Min.	Typ.	Max	Unit
Operation Input Voltage	All		2.75		14	V
Reference Voltage	AOZ1117-ADJ	$T_J = 25^\circ\text{C}$, $(V_{IN-OUT}) = 1.5\text{V}$, $I_{OUT} = 10\text{mA}$	1.225	1.250	1.275	V
Output Voltage	AOZ1117-1.5	$I_{OUT} = 10\text{mA}$, $T_J = 25^\circ\text{C}$, $3\text{V} \leq V_{IN} \leq 12\text{V}$	1.470	1.500	1.530	V
	AOZ1117-1.8	$I_{OUT} = 10\text{mA}$, $T_J = 25^\circ\text{C}$, $3.3\text{V} \leq V_{IN} \leq 12\text{V}$	1.764	1.800	1.836	V
	AOZ1117-2.5	$I_{OUT} = 10\text{mA}$, $T_J = 25^\circ\text{C}$, $4\text{V} \leq V_{IN} \leq 12\text{V}$	2.450	2.500	2.550	V
	AOZ1117-3.3	$I_{OUT} = 10\text{mA}$, $T_J = 25^\circ\text{C}$, $4.8\text{V} \leq V_{IN} \leq 12\text{V}$	3.235	3.300	3.365	V
	AOZ1117-5.0	$I_{OUT} = 10\text{mA}$, $T_J = 25^\circ\text{C}$, $6.5\text{V} \leq V_{IN} \leq 12\text{V}$	4.900	5.000	5.100	V
Line Regulation ⁽¹⁾⁽²⁾	All	$V_{IN} = V_{OUT} + 1.5\text{V} \sim 7\text{V}$, $I_O = 10\text{mA}$, $T_J = 25^\circ\text{C}$		0.1	0.3	%
		$V_{IN} = V_{OUT} + 1.5\text{V} \sim 12\text{V}$, $I_O = 10\text{mA}$, $T_J = 25^\circ\text{C}$		0.1	0.5	%
Load Regulation ⁽¹⁾⁽²⁾	AOZ1117-ADJ	$V_{IN} = 3\text{V}$, $V_{adj} = 0$, $10\text{mA} < I_O < 1\text{A}$, $T_J = 25^\circ\text{C}$			1	%
	AOZ1117-1.5	$V_{IN} = 3\text{V}$, $10\text{mA} < I_O < 1\text{A}$, $T_J = 25^\circ\text{C}$		12	15	mV
	AOZ1117-1.8	$V_{IN} = 3.3\text{V}$, $10\text{mA} < I_O < 1\text{A}$, $T_J = 25^\circ\text{C}$		15	18	mV
	AOZ1117-2.5	$V_{IN} = 4\text{V}$, $10\text{mA} < I_O < 1\text{A}$, $T_J = 25^\circ\text{C}$		20	25	mV
	AOZ1117-3.3	$V_{IN} = 5\text{V}$, $10\text{mA} \leq I_{OUT} \leq 1\text{A}$, $T_J = 25^\circ\text{C}$		26	33	mV
	AOZ1117-5.0	$V_{IN} = 6.5\text{V}$, $10\text{mA} \leq I_{OUT} \leq 1\text{A}$, $T_J = 25^\circ\text{C}$		40	50	mV
Dropout Voltage ($V_{IN} - V_{OUT}$)	All	$I_{OUT} = 1\text{A}$, $\Delta V_{OUT} = 1\% V_{OUT}$		1.3	1.4	V
Current Limit	All	$V_{IN} - V_{OUT} = 3\text{V}$	1.1			A
Minimum Load Current	All	$0^\circ\text{C} \leq T_J \leq 125^\circ\text{C}$		5	10	mA
Ripple Rejection	All	$V_{IN} = V_{OUT} + 3\text{V}$, $f = 120\text{Hz}$, $C_{OUT} = 25\mu\text{F}$ Tantalum		60	70	dB
Temperature Stability	All	$I_O = 10\text{mA}$		0.5		%
Thermal Resistance (θ_{JA})	All	Junction-to-Ambient (No heat sink; no air flow)		92		$^\circ\text{C/W}$
		Junction-to-Ambient ⁽⁴⁾		55		
Thermal Resistance (θ_{JC})	All	Junction-to-Case		10		$^\circ\text{C/W}$

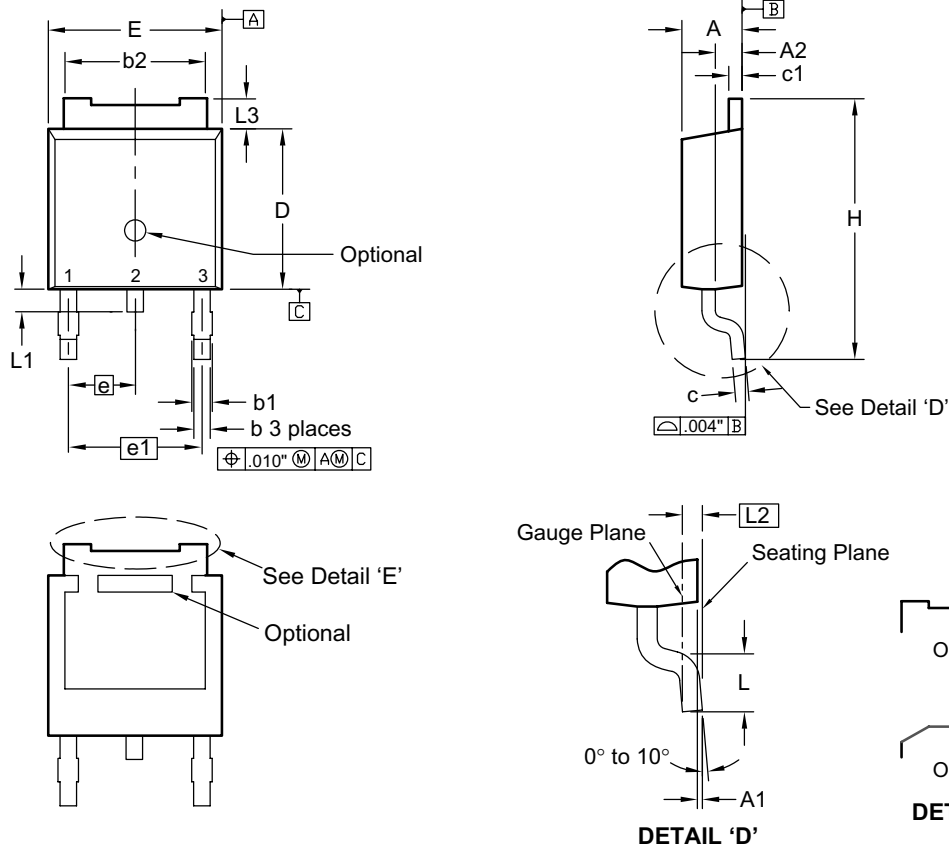
Notes:

- See thermal regulation specifications for changes in output voltage due to heating effects. Line and load regulation are measured at a constant junction temperature by low duty cycle pulse testing. Load regulation is measured at the output lead = 1/18" from the package.
- Line and load regulation are guaranteed up to the maximum power dissipation of 15W. Power dissipation is determined by the difference between input and output differential and the output current. Guaranteed maximum power dissipation will not be available over the full input/output range.
- Quiescent current is defined as the minimum output current required in maintaining regulation. At 12V input/output differential the device is guaranteed to regulate if the output current is greater than 10mA.
- Output is connected to the multi-layer PCB copper area 10mm x 10mm separately. If you need large PD or lower T_c & T_j , please connect to the large copper area > 10mm x 10mm.

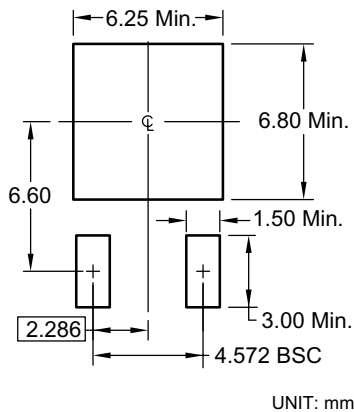
Typical Performance Characteristics



Package Dimensions, TO252-3L



RECOMMENDED LAND PATTERN



Dimensions in millimeters

Dimensions in inches

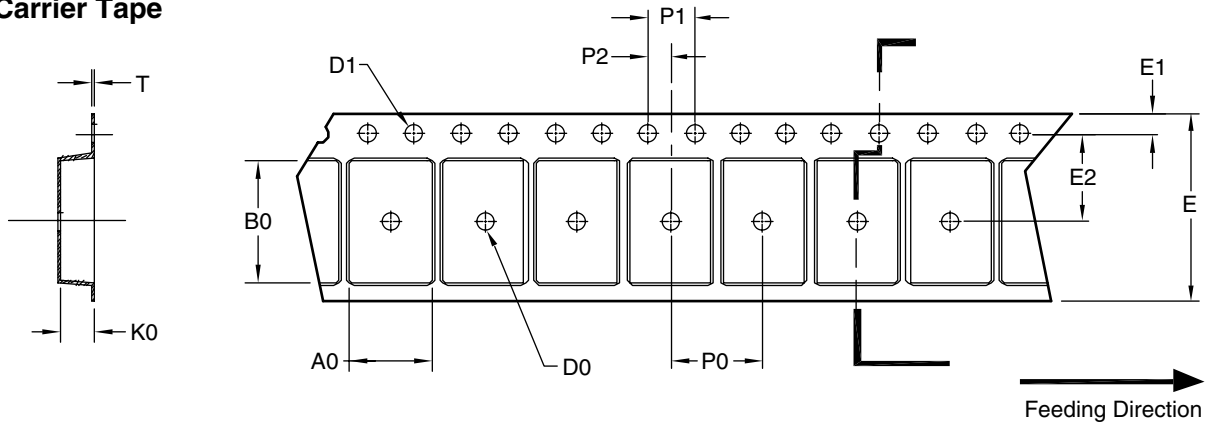
Symbols	Min.	Nom.	Max.	Symbols	Min.	Nom.	Max.
A	2.184	2.286	2.388	A	0.086	0.090	0.094
A1	0.000	—	0.127	A1	0.000	—	0.005
A2	0.889	—	1.143	A2	0.035	—	0.045
b	0.635	0.762	0.889	b	0.025	0.030	0.035
b1	0.762	—	1.143	b1	0.030	—	0.045
b2	4.953	—	5.461	b2	0.195	—	0.215
c	0.450	0.508	0.610	c	0.018	0.020	0.024
c1	0.450	—	0.610	c1	0.018	—	0.024
D	5.969	6.096	6.223	D	0.235	0.240	0.245
E	6.350	6.604	6.731	E	0.250	0.260	0.265
e	2.286 BSC			e	0.090 BSC		
e1	4.572 BSC			e1	0.180 BSC		
H	9.398	—	10.414	H	0.370	—	0.410
L	1.270	—	2.032	L	0.050	—	0.080
L1	0.635	—	1.016	L1	0.025	—	0.040
L2	0.508 BSC			L2	0.020 BSC		
L3	0.889	—	1.270	L3	0.035	—	0.050

Notes:

1. Package body sizes exclude mold flash and gate burrs. Mold flash should be less than 6 mils.
2. Dimension L is measured in gauge plane.
3. Tolerance 0.10mm unless otherwise specified.
4. Controlling dimension is millimeter, converted inch dimensions are not necessarily exact.
5. Refer to JEDEC TO-252(AA).

Tape and Reel Dimensions, TO252-3L

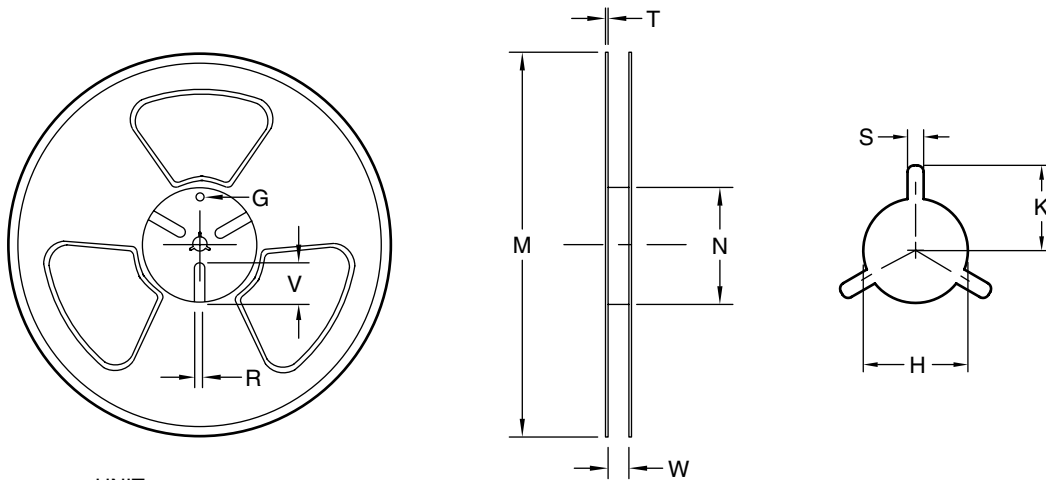
Carrier Tape



UNIT: mm

Package	A0	B0	K0	D0	D1	E	E1	E2	P0	P1	P2	T
TO-252 (DPAK) (16mm)	6.90 ±0.10	10.50 ±0.10	2.70 ±0.10	1.50 +0.10	1.50 Min.	16.00 ±0.10	1.75 ±0.10	7.50 ±0.10	8.00 ±0.10	4.00 ±0.10	2.00 ±0.10	0.30 ±0.05

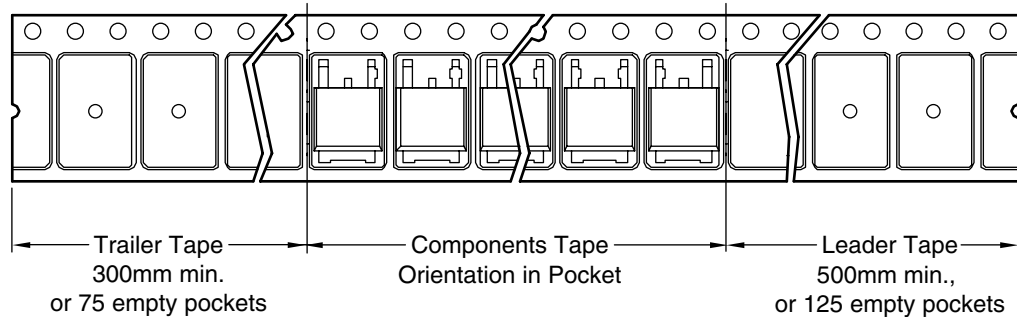
Reel



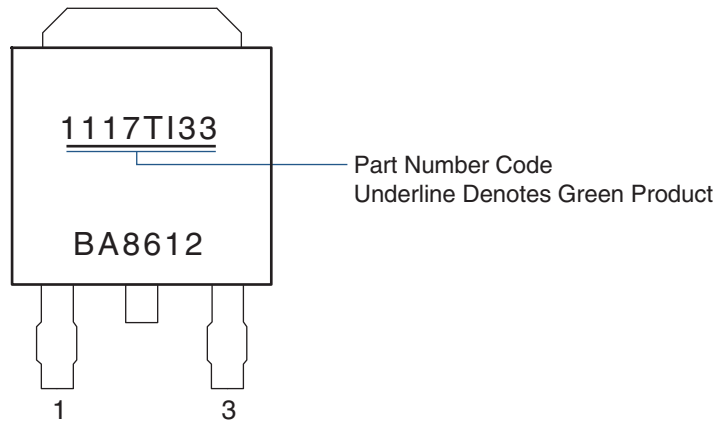
UNIT: mm

Tape Size	Reel Size	M	N	W	T	H	K	S	G	R	V
16mm	ø330	ø330.00 ±0.5	ø99.50 ±1.0	17.50 ±0.50	2.30	ø13.50 +0.10	10.60	2.5 ±0.10	—	—	—

Leader / Trailer & Orientation



Part Marking



This datasheet contains preliminary data; supplementary data may be published at a later date. Alpha & Omega Semiconductor reserves the right to make changes at any time without notice.

LIFE SUPPORT POLICY

ALPHA & OMEGA SEMICONDUCTOR PRODUCTS ARE NOT AUTHORIZED FOR USE AS CRITICAL COMPONENTS IN LIFE SUPPORT DEVICES OR SYSTEMS.

As used herein:

- | | |
|---|---|
| <p>1. Life support devices or systems are devices or systems which, (a) are intended for surgical implant into the body or (b) support or sustain life, and (c) whose failure to perform when properly used in accordance with instructions for use provided in the labeling, can be reasonably expected to result in a significant injury of the user.</p> | <p>2. A critical component in any component of a life support, device, or system whose failure to perform can be reasonably expected to cause the failure of the life support device or system, or to affect its safety or effectiveness.</p> |
|---|---|

单击下面可查看定价，库存，交付和生命周期等信息

[>>AOS\(万代\)](#)