

## General Description

The AOZ1376DI power switch is intended for applications that require circuit protections. The input operating voltage ranges between 3.4V and 22V, making it ideal for USB Type-C power delivery applications. VIN and VOUT terminals are rated as 28V Absolute Maximum. The AOZ1376DI provides under-voltage lockout, over-voltage and over-temperature protection function. The over-voltage protection threshold is selectable by an external resistor. The internal soft-start circuitry controls inrush current due to highly capacitive loads. The slew rate can be adjusted using an external capacitor.

The AOZ1376DI has True Reverse-Current Blocking (TRCB) protection to avoid undesired reverse-current from VOUT to VIN at all time.

The AOZ1376DI is available in a 3mm x 3mm DFN-12 package which can operate over -40°C to +85°C temperature range.

## Features

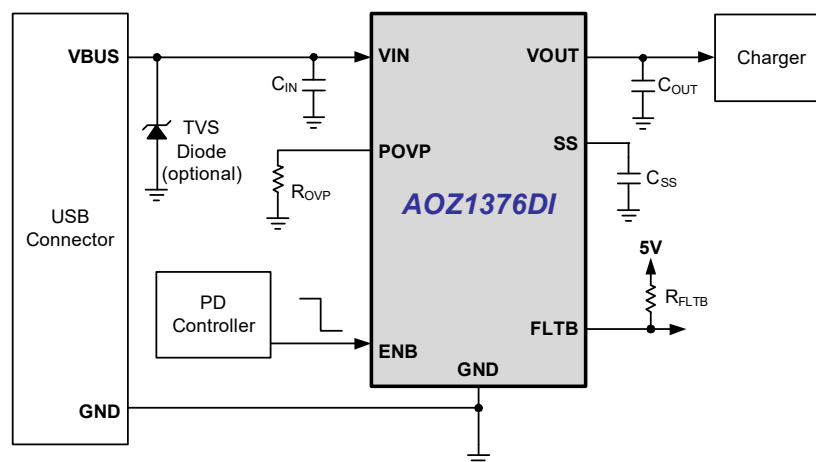
- 20mΩ typical ON resistance
- 3.4V to 22V operating input voltage
- VIN and VOUT are rated 28V Abs max.
- True reverse current blocking when VOUT > VIN
- Selectable over-voltage protection
- Programmable soft-start
- VIN under-voltage lockout
- VIN over-voltage lockout
- Thermal shutdown protection
- Short-circuit protection
- ±4kV HBM ESD rating
- ±8kV HBM ESD rating for VIN and VOUT
- IEC61000-4-2: ±8kV on VIN
- IEC61000-4-5: 40V on VIN, No Capacitor
- 3mm x 3mm DFN-12L package

## Applications

- Thunderbolt/USB Type-C PD power switch
- Portable devices
- Notebook/desktop computers
- Monitors
- Docking station/dongles



## Typical Application



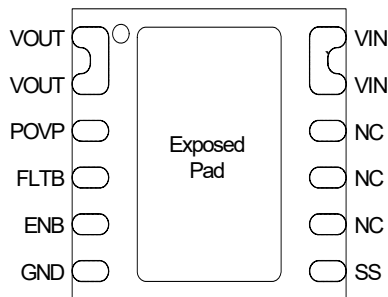
## Ordering Information

Part Number	Fault Recovery	Temperature Range	Package	Environmental
AOZ1376DI-01	Auto-Restart	-40°C to +85°C	3mm x 3mm DFN-12L	RoHS
AOZ1376DI-02	Latch-Off	-40°C to +85°C	3mm x 3mm DFN-12L	RoHS



All AOS products are offered in packages with Pb-free plating and compliant to RoHS standards.

## Pin Configuration



**3mm x 3mm DFN-12L**  
(Top Transparent View)

## Pin Description

Pin Number	Pin Name	Pin Function
1, 2	VOUT	Output pins. Connect to internal load.
3	POVP	Programmable over voltage protection. Connect a resistor $R_{OVP}$ from POVP to GND.
4	FLTB	Fault Indicator, Open-drain output. Active Low when fault condition occurs.
5	ENB	Enable logic input. Active-low.
6	GND	Ground.
7	SS	Soft-start pin. Connect a capacitor $C_{SS}$ from SS to GND to set the soft-start time.
8, 9, 10	NC	No connect. Leave these pins float.
11, 12	VIN	Connect to adapter or power input.
EXP	EXP	Exposed Thermal Pad. Connect to GND. Solder to a metal surface directly underneath the EXP and connect to PCB ground on multiple layers through vias. For best thermal performance make the ground copper pads as large as possible and connect to EXP with multiple VIAs.

## Absolute Maximum Ratings

Exceeding the Absolute Maximum ratings may damage the device.

Parameter	Rating
V <sub>IN</sub> , V <sub>OUT</sub> to GND	-0.3V to +28V
ENB, SS, FLTB, POVP to GND	-0.3V to +6V
Junction Temperature (T <sub>J</sub> )	+150°C
Storage Temperature (T <sub>S</sub> )	-65°C to +150°C
ESD Rating HBM All Pins	±4kV
ESD Rating HBM VIN and VOUT Pins	±8kV

## Recommend Operating Ratings

The device is not guaranteed to operate beyond the Maximum Operating Ratings.

Parameter	Rating
Supply Voltage V <sub>IN</sub>	3.4V to 22V
ENB, FLTB, SS	0V to 5.5V
POVP	0V to 3V
DC Switch Current (I <sub>SW</sub> )	0A to 5A
Ambient Temperature (T <sub>A</sub> )	-40°C to +85°C
Package Thermal Resistance 3x3 DFN-12 (θ <sub>JA</sub> )	50°C/W

## Electrical Characteristics

T<sub>A</sub> = 25°C, V<sub>IN</sub> = 20V, ENB = 0V, R<sub>OVP</sub> = 19.6kΩ, unless otherwise specified.

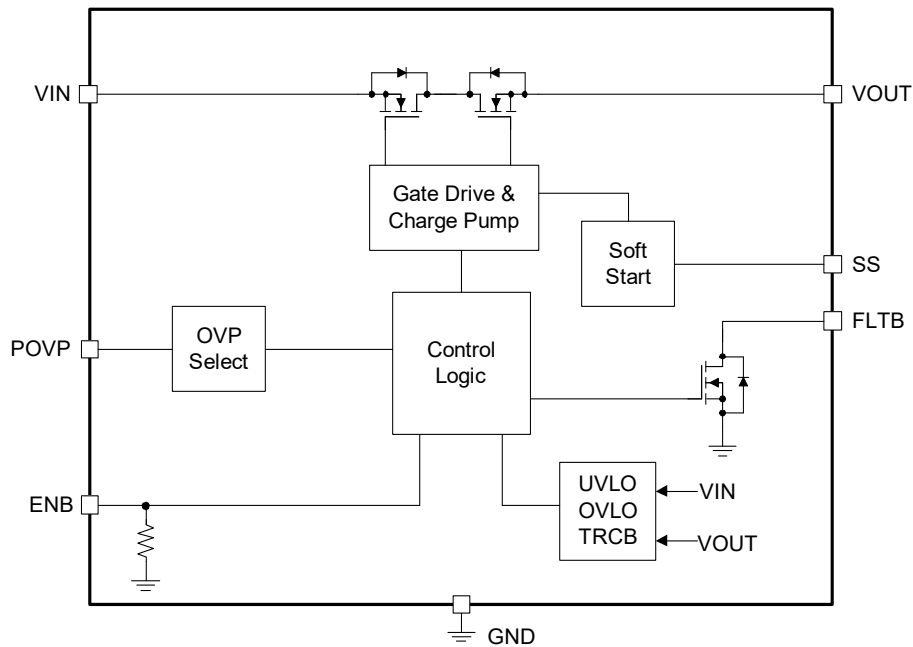
Symbol	Parameter	Conditions	Min.	Typ.	Max.	Units
V <sub>VIN</sub>	Input Supply Voltage		3.4		22	V
V <sub>UVLO</sub>	Under-voltage Lockout Threshold	V <sub>IN</sub> rising	3.0		3.35	V
V <sub>UVLO_HYS</sub>	Under-voltage Lockout Hysteresis			300		mV
V <sub>OVLO</sub>	Overvoltage Lockout Threshold	0Ω ≤ R <sub>OVP</sub> ≤ 19.6kΩ, V <sub>IN</sub> rising, 1%	23.0	24.0	25.0	V
		R <sub>OVP</sub> = 75kΩ, V <sub>IN</sub> rising, 1%	16.8	17.4	18.0	
		R <sub>OVP</sub> = 137kΩ, V <sub>IN</sub> rising, 1%	10.0	10.4	10.8	
		R <sub>OVP</sub> = 301kΩ, V <sub>IN</sub> rising, 1%	5.5	5.8	6	
V <sub>OVLO_HYS</sub>	Overvoltage Lockout Hysteresis			350		mV
t <sub>DELAY_OVP</sub>	Switch Turn-off Delay upon Over-voltage	V <sub>VIN</sub> - V <sub>OLVO</sub> = 500mV		1		μs
I <sub>VIN_ON</sub>	Input Quiescent Current	I <sub>VOUT</sub> = 0		550		μA
I <sub>VIN_OFF</sub>	Input Shutdown Current	I <sub>VOUT</sub> = 0, ENB = 5V		18	35	μA
I <sub>VOUT_OFF</sub>	Output Leakage Current	V <sub>OUT</sub> = 20V, V <sub>IN</sub> = 0V, ENB = 5V		18	35	μA
R <sub>ON_20V</sub>	Switch ON-Resistance	I <sub>VOUT</sub> = 1A		20		mΩ
R <sub>ON_5V</sub>		V <sub>IN</sub> = 5V, I <sub>VOUT</sub> = 1A		21		mΩ
V <sub>ENB_H</sub>	ENB Pin Input High Threshold	ENB rising			1.4	V
V <sub>ENB_L</sub>	ENB Pin Input Low Threshold	ENB falling	0.6			V
I <sub>ENB_BIAS</sub>	ENB Pin Input Pull-down Current	ENB = 1.8 V			10	μA
V <sub>FLTB_LO</sub>	FLTB Pin Pull-down Voltage	FLTB sinking 3mA			0.3	V
V <sub>TRCB</sub>	TRCB Threshold	V <sub>OUT</sub> - V <sub>IN</sub>		26		mV
t <sub>TRCB</sub>	TRCB Delay Time	V <sub>OUT</sub> - V <sub>IN</sub> = V <sub>TRCB</sub> + 500mV		500		ns
t <sub>D_ON</sub>	Turn-On Delay Time ENB to V <sub>OUT</sub> (10%)	From ENB falling edge to V <sub>OUT</sub> reaching 10% of V <sub>IN</sub> . C <sub>OUT</sub> = 68μF, C <sub>SS</sub> = 5.6nF		21		ms
t <sub>ON</sub>	Turn-On Rise Time	V <sub>OUT</sub> from 10% to 90% C <sub>OUT</sub> = 68μF, C <sub>SS</sub> = 5.6nF		2		ms

## Electrical Characteristics

$T_A = 25^\circ\text{C}$ ,  $V_{IN} = 20\text{V}$ ,  $ENB = 0\text{V}$ ,  $R_{OVP} = 19.6\text{k}\Omega$ , unless otherwise specified.

Symbol	Parameter	Conditions	Min.	Typ.	Max.	Units
$t_{REC}$	Auto restart interval	AOZ1376DI-01 only		64		ms
$T_{SD}$	Thermal Shutdown Threshold			140		$^\circ\text{C}$
$T_{SD\_HYS}$	Thermal Shutdown Hysteresis			30		$^\circ\text{C}$

## Functional Block Diagram



## Timing Diagrams

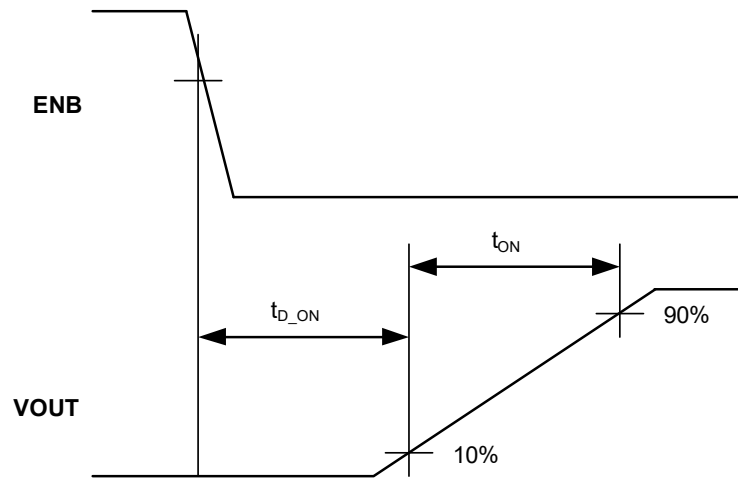


Figure 1. Turn-on Delay and Turn-on Time

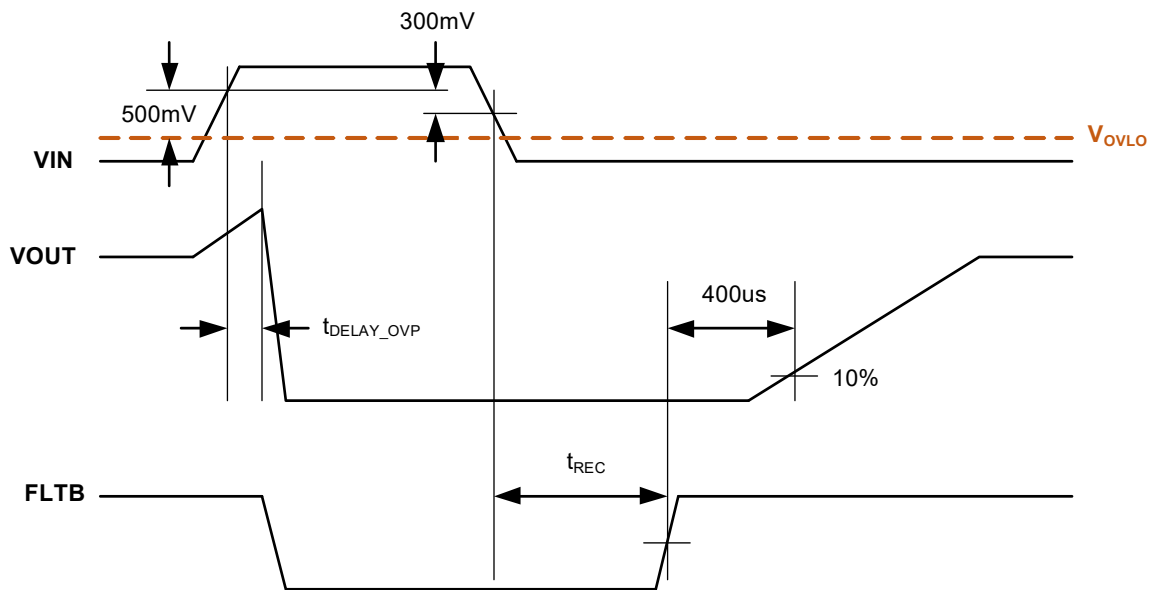


Figure 2. OVP Delay and Recovery Time (AOZ1376DI-01)

## Typical Characteristics

$C_{IN} = 20\mu F$ ,  $C_{OUT} = 120\mu F$ ,  $R_{LOAD} = 100\Omega$ ,  $C_{SS} = 5.6nF$ ,  $R_{OVP} = 19.6k\Omega$ ,  $T_A = 25^\circ C$  unless otherwise specified.

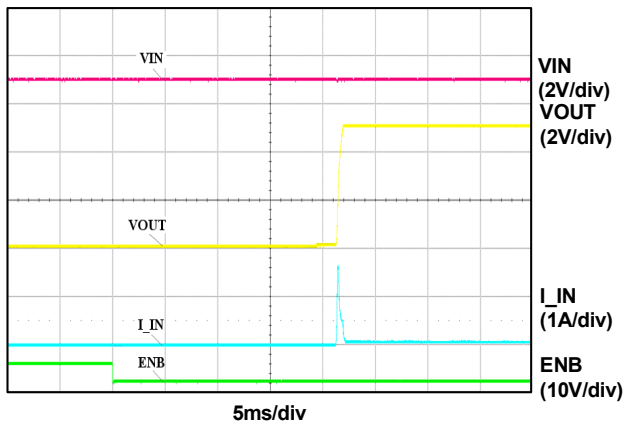


Figure 3. Soft Start Delay Times (VIN=5V)

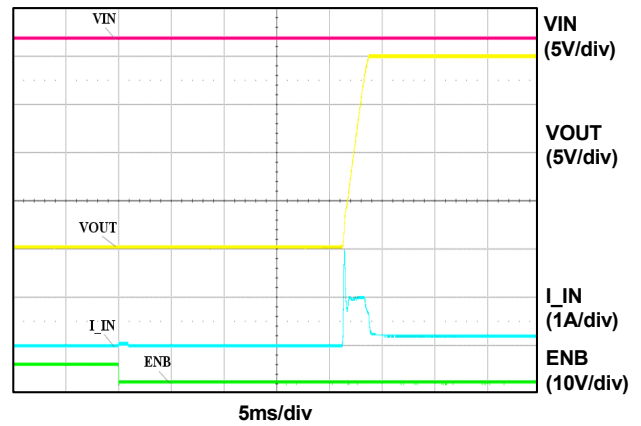


Figure 4. Soft Start Delay Times (VIN=20V)

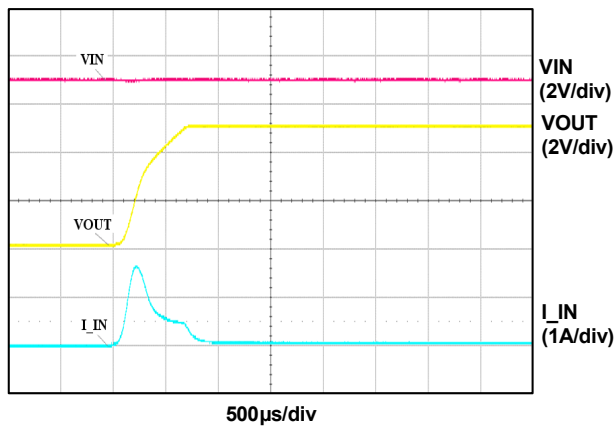


Figure 5. Soft Start Ramp (VIN=5V)

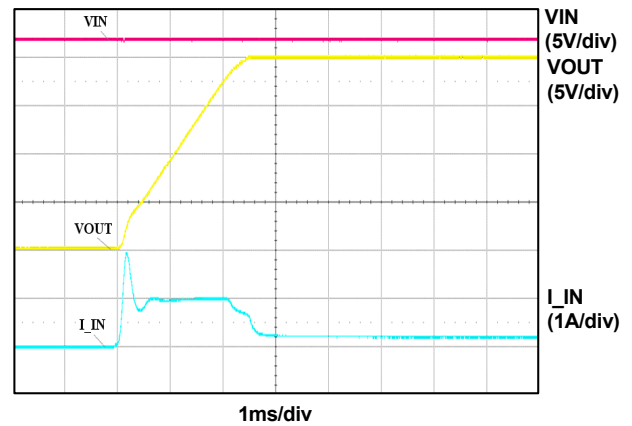


Figure 6. Soft Start Ramp (VIN=20V)

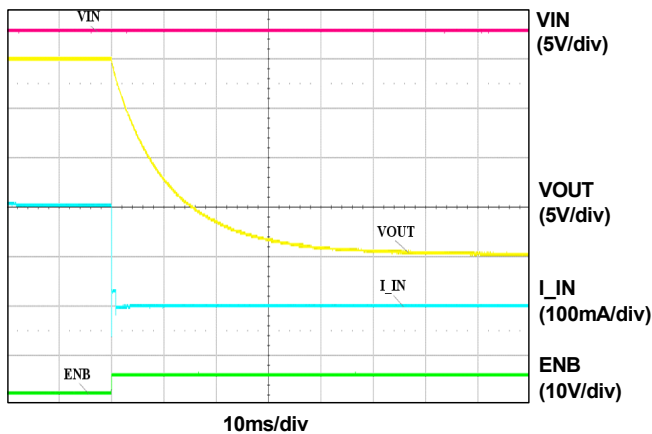


Figure 7. Shutdown (VIN=20V)

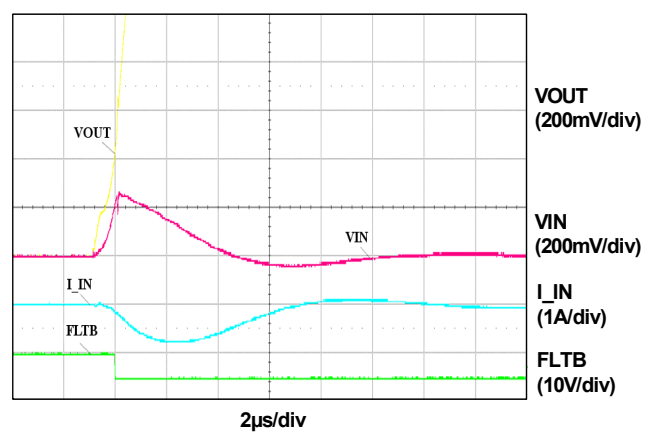
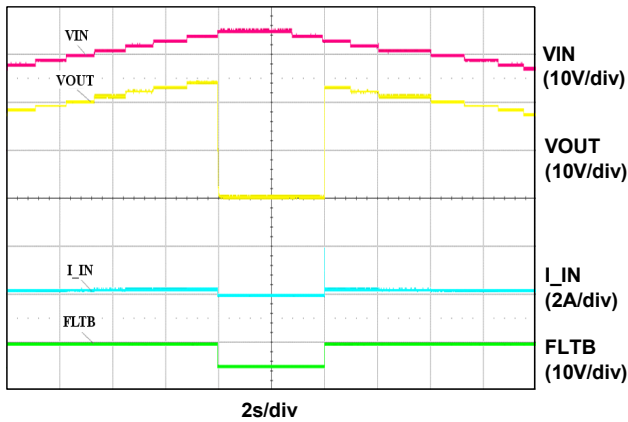


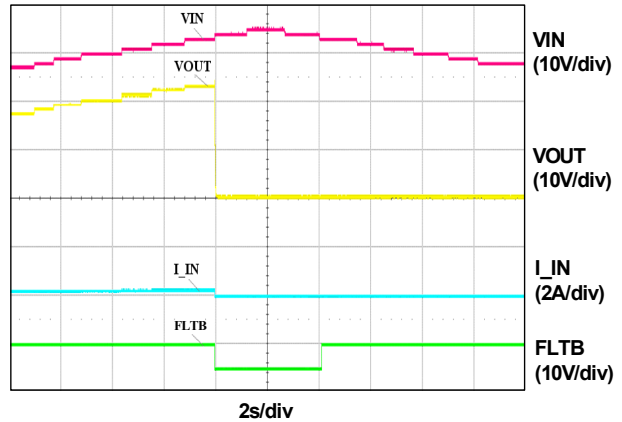
Figure 8. Reverse Current Blocking (VIN=5V)

**Typical Characteristics (Continued)**

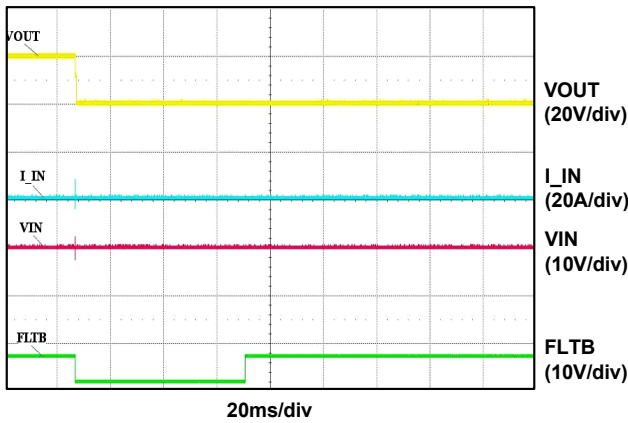
$C_{IN} = 20\mu F$ ,  $C_{OUT} = 120\mu F$ ,  $R_{LOAD} = 100\Omega$ ,  $C_{SS} = 5.6nF$ ,  $R_{OVP} = 19.6k\Omega$ ,  $T_A = 25^\circ C$  unless otherwise specified.



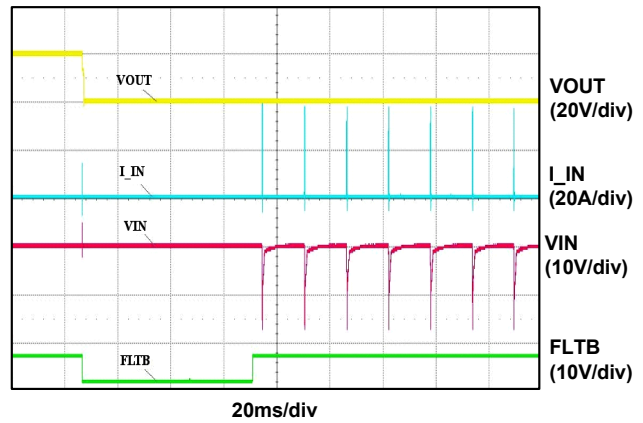
**Figure 9. Over Voltage Protection (Option -01)**



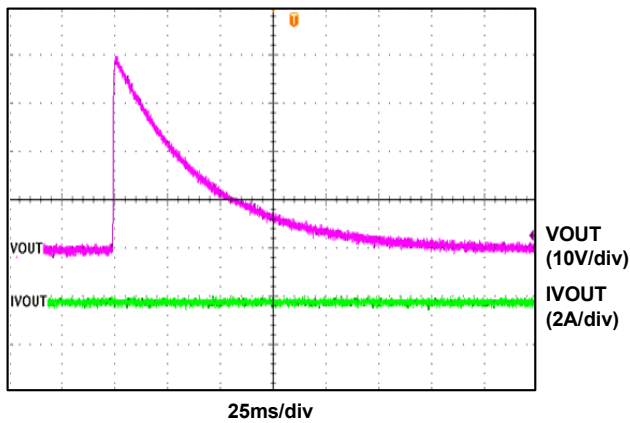
**Figure 10. Over Voltage Protection (Option -02)**



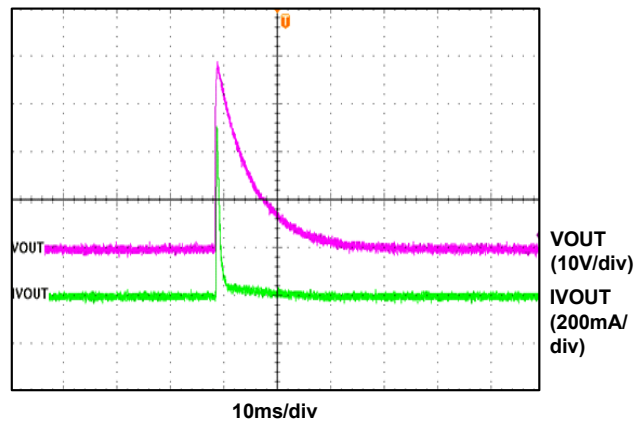
**Figure 11. Short Circuit Protection ( $C_{SS} = 1nF$ , No Load, Option -01)**



**Figure 12. Short Circuit Protection ( $C_{SS} = 1nF$ , No Load, Option -02)**



**Figure 13. IEC61000-4-5: 40V Surge Voltage without Device**



**Figure 14. IEC6100-4-5: 40V Surge Voltage with Device (No Capacitor on VIN)**

Typical Characteristics (Continued)

$T_A = 25^\circ\text{C}$ , unless otherwise specified.

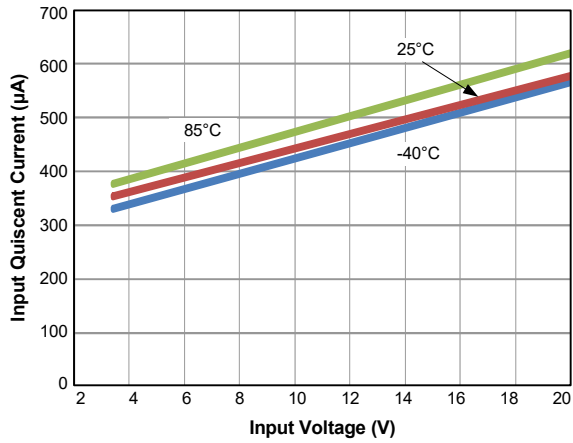


Figure 15. Quiescent Current vs. Input Voltage

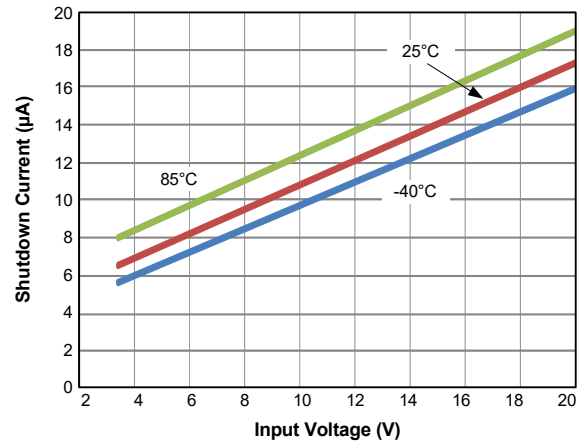


Figure 16. Shutdown Current vs. Input Voltage

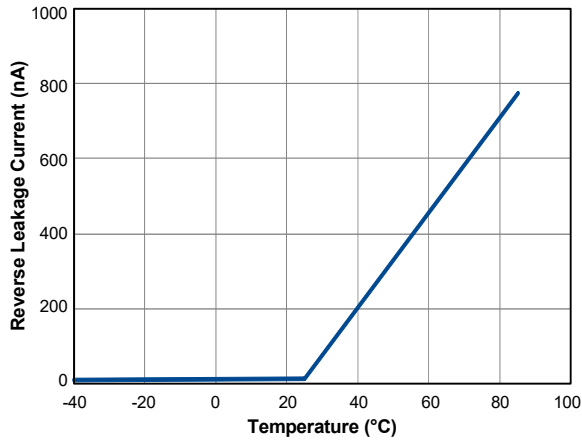


Figure 17. Reverse Leakage Current vs. Temperature

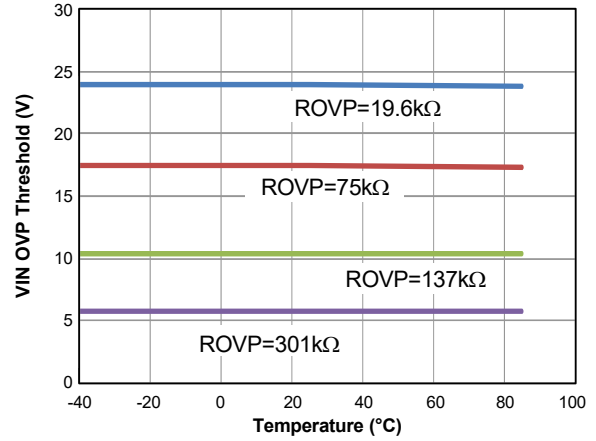


Figure 18. VIN OVP vs. Temperature ( $I_{VOUT}=1\text{A}$ )

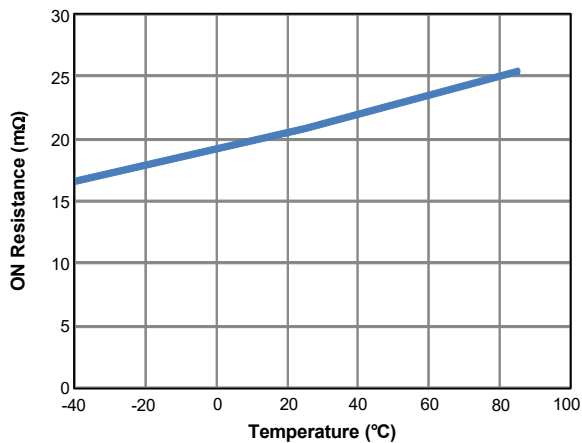


Figure 19. On Resistance vs. Temperature

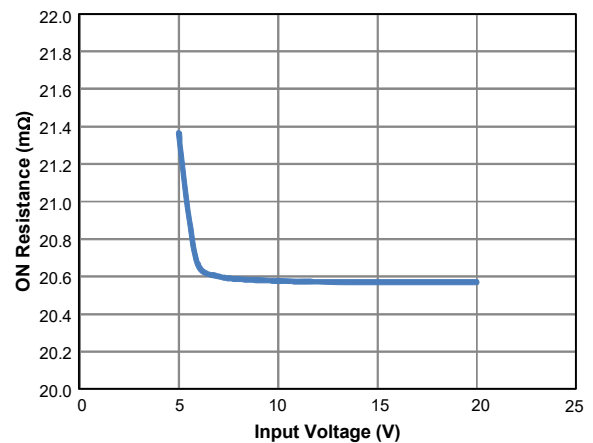


Figure 20. ON Resistance vs. VIN ( $I_{VOUT}=1\text{A}$ )



## Detailed Description

The AOZ1376DI is a high-side protection switch with adjustable soft-start, over-voltage and over-temperature protections. It is capable of operating from 3.4V to 22V.

The internal power switch consists of 2 back-to-back connected N-channel MOSFETs. When the switch is enabled, the overall resistance between VIN and VOUT is only 20mΩ typical, minimizing power loss and heat generation. The back-to-back configuration of MOSFETs completely isolates VIN and VOUT when the switch is turned off, preventing leakage between the two pins.

### Enable

The active-low ENB pin is the ON/OFF control for the power switch. The device is enabled when the ENB pin is low and the device is not in UVLO state. The ENB pin must be driven to a logic low or logic high state to guarantee operation. While disabled, the AOZ1376DI draws about 18μA supply current.

When fault occurs for AOZ1376DI-02 latch-off version, toggle enable to restart the device and clear fault indicator.

### Input Under-Voltage Lockout (UVLO)

The internal circuitry of the AOZ1376DI is powered from VIN. The under-voltage lockout (UVLO) circuit of the AOZ1376DI monitors the voltage at the input pin and only allows the power switches to turn on when VIN is higher than 3.4V. If VIN is below 3.4V, the device is in under-voltage lockout state.

### Programmable Over-Voltage Protection (OVP)

The voltages at VIN pin are constantly monitored once the device is enabled. In case the voltage exceeds the programmed threshold, over-voltage protection is activated:

1. If the power switch is on, it will be turned off immediately to isolate VOUT from VIN
2. OVP will prevent power switch to be turned on if it is in off state.

In either case FLTB pin is pulled low to report the fault condition.

An external resistor  $R_{OVP}$  connected between POVP and GND pins sets the over-voltage protection threshold. An internal 8μA current source biases POVP pin. The voltage drop across resistor  $R_{OVP}$  is detected by comparators that sets the OVP threshold based on the table below:

$R_{OVP}$ Resistor Value	OVP Threshold
$\leq 19.6K$	24V
75K	17.4V
137K	10.4V
$\geq 301K$	5.8V

Table 1. OVP Setting by External Resistor

### True Reverse Current Blocking (TRCB)

The AOZ1376DI immediately turns off the power switch upon detection of a VOUT that is 26mV higher than VIN. The FLTB pin will also be immediately pulled low to indicate the fault condition.

When the AOZ1376DI is first enabled or during each auto restart, power switch will be kept off if output voltage exceeds input voltage by 26mV.

### Thermal Shutdown Protection

When the die temperature reaches 140°C the power switch is turned off. There is a 30°C hysteresis. Over-temperature fault is removed when die temperature drops below approximately 110°C.

### Soft-Start Slew-Rate Control

When ENB pin is asserted low, the slew rate control circuitry applies voltage on the gate of the power switch in a manner such that the output voltage is ramped up linearly until it reaches input voltage level. The output ramp up time depends on the VIN and POVP setting and is programmed by an external soft-start capacitor ( $C_{SS}$ ). The following formula provides the estimated 10% to 90% ramp up time.

$$t_{SS} = \left( \frac{V_{VIN}}{V_{OVP}} \right) \times \left( \left( \frac{C_{SS}}{0.0023} \right) - 100 \right)$$

Where VIN and VOVP are in volts and  $C_{SS}$  is in nF.  $t_{SS}$  value is provided in μs.

For example, if VIN=20V, VOVP=24V and  $C_{SS}$ =2.7nF, the VOUT ramp up time is 895μs.

### System Startup

The device is enabled when  $ENB \leq 0.6V$  and VIN is higher than UVLO threshold. The OVP threshold is first selected by sensing POVP voltage set by  $R_{OVP}$ . The device will then check if fault condition exist. When no fault exists, the power switch is turned on and VOUT is then ramped up, controlled by the soft-start till it reaches the input voltage.

### Fault Protection

The AOZ1376DI offers protection against the following fault conditions: VIN over voltage, VOUT being higher than VIN, and over temperature.

When the device is first enabled, the power switch is off and fault conditions are checked. If VIN is higher than the OVP threshold, or VOUT is higher than VIN by 26mV (typical), or the die temperature is higher than thermal shutdown threshold, the FLTB pin will be pulled low to flag the fault. After the power switch turns on, the device continuously monitors all fault conditions.

### Auto-Restart vs. Latch-Off

AOZ1376DI-01 (auto-restart version):

If the power switch is turned off due to fault protection, the device will try to restart 64ms ( $t_{REC}$ ) after the fault clears.

AOZ1376DI-02 (latch-off version):

The power switch keeps off even after the fault clears. The device can only be re-enabled by either toggling ENB pin or cycling the input power supply.

### Input Capacitor Selection

The input capacitor prevents large voltage transients from appearing at the input, and provides the instantaneous current needed each time the switch turns on to charge output capacitors and to limit input voltage drop. It is also to prevent high-frequency noise on the power line from passing through to the output. The input capacitor should be located as close to the pin as possible. A 10µF ceramic capacitor is recommended. However, higher capacitor values further reduce the transient voltage drop at the input.

### Output Capacitor Selection

The output capacitor acts in a similar way. Also, the output capacitor has to supply enough current for a large load that it may encounter during system transient. This bulk capacitance must be large enough to supply fast transient load in order to prevent the output from dropping.

If the output capacitance is so high that at the end of the soft start output voltage is lower than input voltage by approximately 300mV or more, the power switch will be turned off to protect itself.

### Power Dissipation Calculation

Use the following equation to calculate the power dissipation for normal load condition:

$$Power\ Dissipated = R_{ON} \times (I_{OUT})^2$$

### Layout Guidelines

Good PCB layout is important for improving the thermal and overall performance of the AOZ1376DI. To optimize the switch response time to output short-circuit conditions, keep all traces as short as possible to reduce the effect of unwanted parasitic inductance. Place the input and output bypass capacitors as close as possible to the VIN and VOUT pins. The input and output PCB traces should be as wide as possible for the given PCB space. Use a ground plane to enhance the power dissipation capability of the device. Figure 21 shows the reference evaluation board layout for AOZ1376DI.

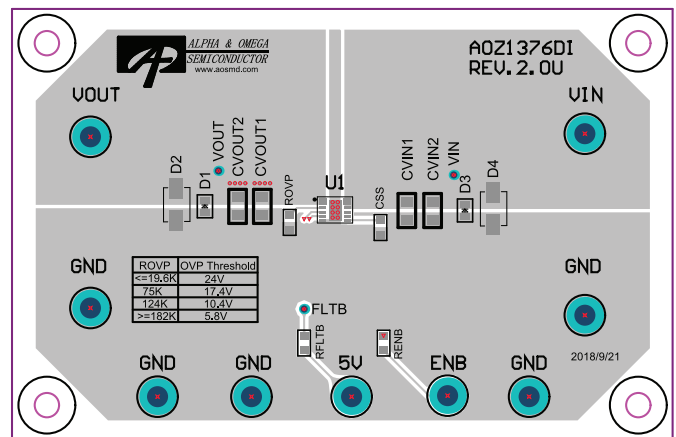
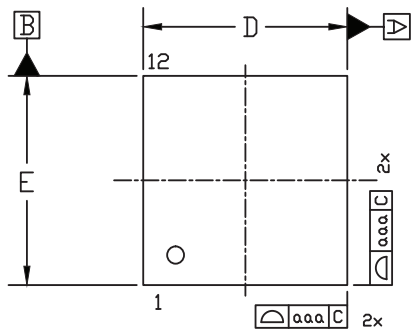
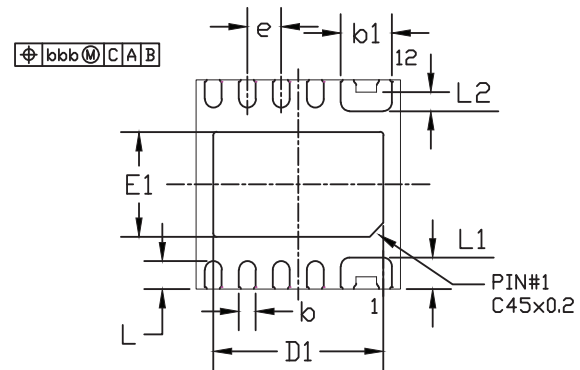


Figure 21. AOZ1376DI Evaluation Board Layout

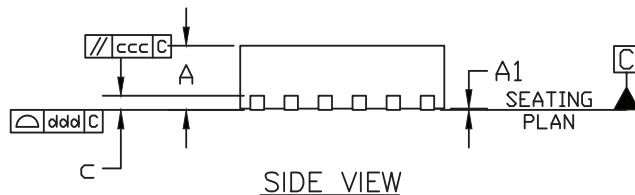
Package Dimensions, DFN3x3B-12L, EP1\_S



TOP VIEW

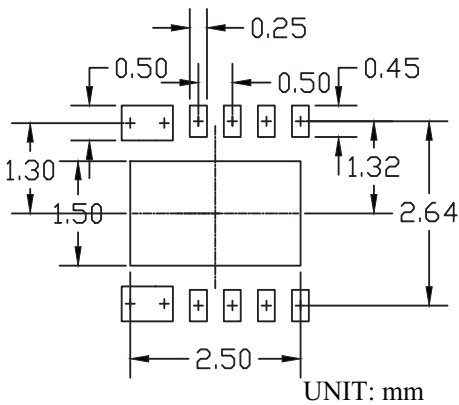


BOTTOM VIEW



SIDE VIEW

RECOMMENDED LAND PATTERN

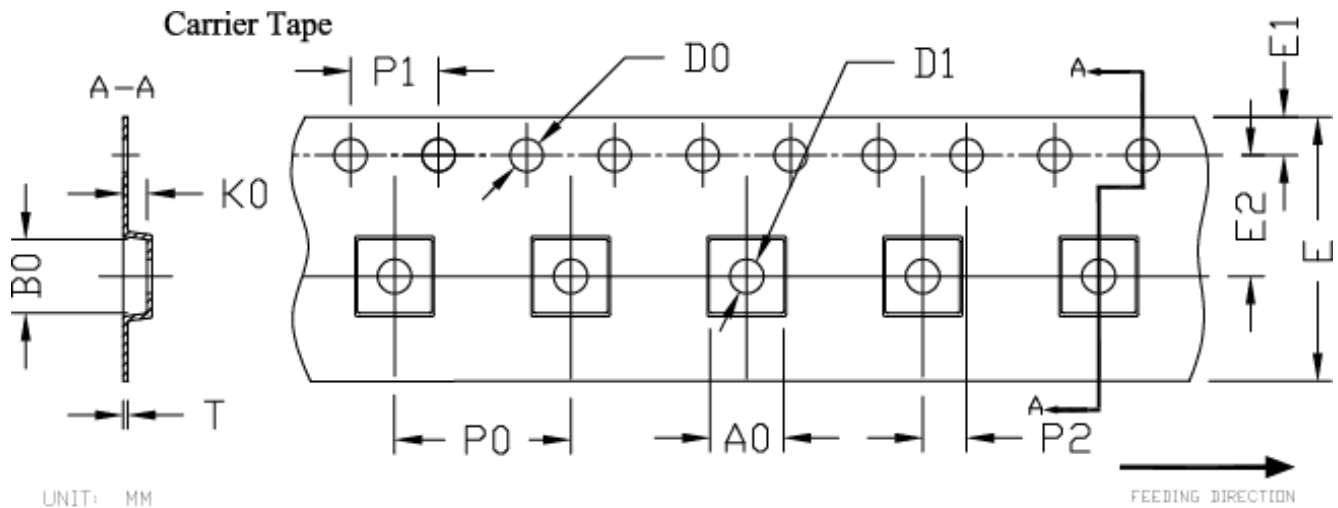


SYMBOLS	DIMENSIONS IN MILLIMETERS			DIMENSIONS IN INCHES		
	MIN	NOM	MAX	MIN	NOM	MAX
A	0.80	0.90	1.00	0.031	0.035	0.039
A1	0.00	0.02	0.05	0.000	0.001	0.002
b	0.20	0.25	0.30	0.008	0.010	0.012
b1	0.70	0.75	0.80	0.028	0.030	0.032
c	0.195	0.203	0.211	0.008	0.008	0.008
D	2.90	3.00	3.10	0.114	0.118	0.122
D1	2.40	2.50	2.60	0.094	0.098	0.102
E	2.90	3.00	3.10	0.114	0.118	0.122
E1	1.40	1.50	1.60	0.055	0.059	0.063
e	0.50BSC			0.020BSC		
L	0.30	0.40	0.50	0.012	0.016	0.020
L1	0.35	0.45	0.55	0.014	0.018	0.022
L2	0.22	0.27	0.32	0.009	0.011	0.013
aaa	0.15			0.006		
bbb	0.10			0.004		
ccc	0.10			0.004		
ddd	0.08			0.003		

NOTE

1. DIMENSIONING AND TOLERANCING CONFORM TO ASME Y14.5M-1994.
2. CONTROLLING DIMENSION IS MILLIMETER.  
CONVERTED INCH DIMENSIONS ARE NOT NECESSARILY EXACT.
3. DIMENSION b APPLIES TO METALLIZED TERMINAL AND IS MEASURED BETWEEN 0.15mm. AND 0.30mm FROM THE TERMINAL TIP. IF THE TERMINAL HAS THE OPTIONAL RADIUS ON THE OTHER END OF THE TERMINAL, THE DIMENSION b SHOULD NOT BE MEASURED IN THAT RADIUS AREA.
4. COPLANARITY ddd APPLIES TO THE TERMINALS AND ALL OTHER BOTTOM SURFACE METALLIZATION.

Tape and Reel Dimensions, DFN3x3B-12L, EP1\_S

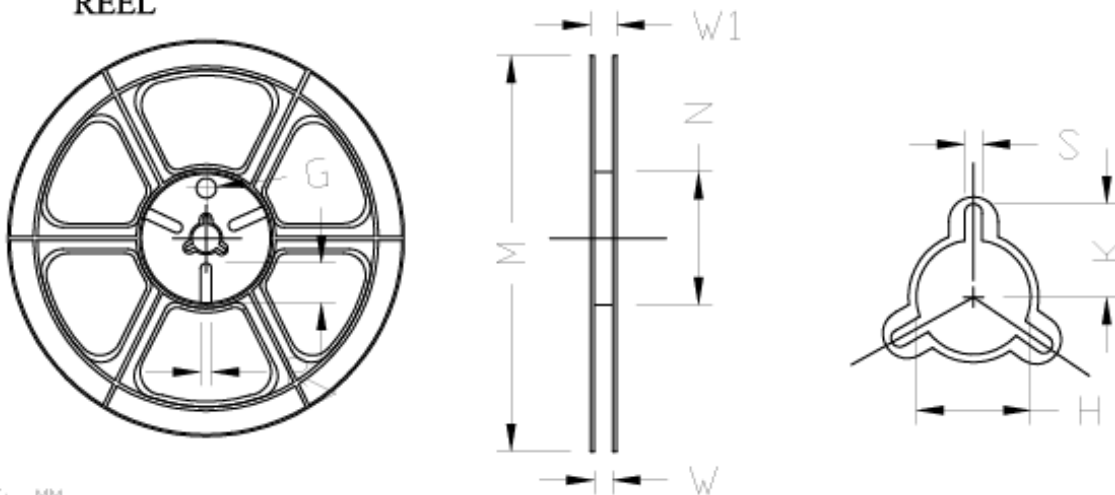


UNIT: MM

FEEDING DIRECTION

PACKAGE	A0	B0	K0	D0	D1	E	E1	E2	P0	P1	P2	T
DFN3x3_EP	3.40 ±0.10	3.35 ±0.10	1.10 ±0.10	1.50 +0.10 -0	1.50 +0.10 -0	12.00 ±0.30	1.75 ±0.10	5.50 ±0.05	8.00 ±0.10	4.00 ±0.10	2.00 ±0.05	0.30 ±0.05

REEL

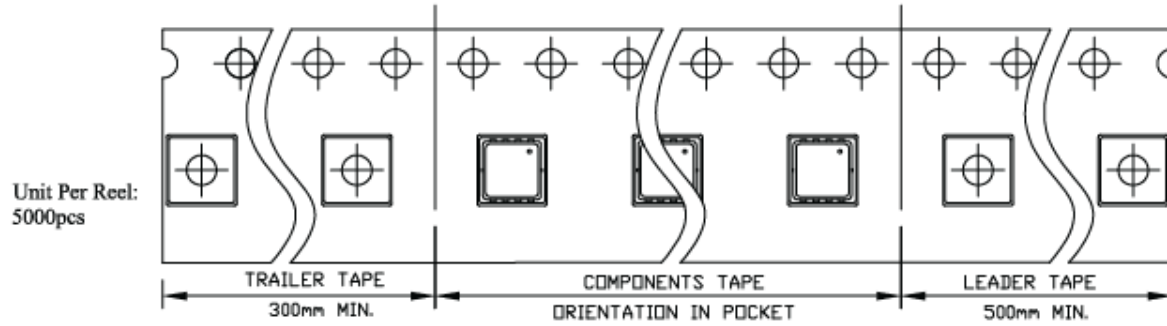


UNIT: MM

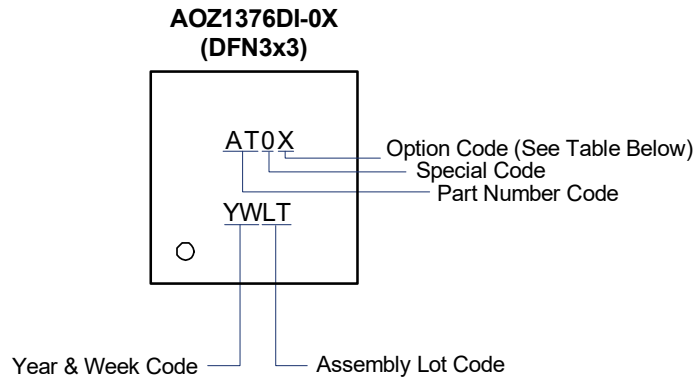
TAPE SIZE	REEL SIZE	M	N	W	W1	H	K	S	G	R	V
12 mm	φ330	φ330.00 ±0.50	φ97.00 ±0.10	13.00 ±0.30	17.40 ±1.00	φ13.00 +0.50 -0.20	10.60	2.00 ±0.50	---	---	---

### Tape and Reel Dimensions, DFN3x3B-12L, EP1\_S

#### TAPE Leader / Trailer & Orientation



**Part Marking**



Part Number	Description	Code
AOZ1376DI-01	Green Product	AT01
AOZ1376DI-02	Green Product	AT02

**LEGAL DISCLAIMER**

Applications or uses as critical components in life support devices or systems are not authorized. AOS does not assume any liability arising out of such applications or uses of its products. AOS reserves the right to make changes to product specifications without notice. It is the responsibility of the customer to evaluate suitability of the product for their intended application. Customer shall comply with applicable legal requirements, including all applicable export control rules, regulations and limitations.

AOS' products are provided subject to AOS' terms and conditions of sale which are set forth at:

[http://www.aosmd.com/terms\\_and\\_conditions\\_of\\_sale](http://www.aosmd.com/terms_and_conditions_of_sale)

**LIFE SUPPORT POLICY**

ALPHA AND OMEGA SEMICONDUCTOR PRODUCTS ARE NOT AUTHORIZED FOR USE AS CRITICAL COMPONENTS IN LIFE SUPPORT DEVICES OR SYSTEMS.

As used herein:

- |   |   |
|---|---|
| <p>1. Life support devices or systems are devices or systems which, (a) are intended for surgical implant into the body or (b) support or sustain life, and (c) whose failure to perform when properly used in accordance with instructions for use provided in the labeling, can be reasonably expected to result in a significant injury of the user.</p> | <p>2. A critical component in any component of a life support, device, or system whose failure to perform can be reasonably expected to cause the failure of the life support device or system, or to affect its safety or effectiveness.</p> |
|---|---|

单击下面可查看定价，库存，交付和生命周期等信息

[>>AOS\(万代\)](#)