

General Description

The AOZ6184 is a low-voltage high-speed Double-Pole, Double-Throw (DPDT) switch for switching between two USB 2.0 (480 Mbps) sources. The device features very low on capacitance (3.6 pF typ.) and is designed to operate from a single 1.65 V to 4.5 V supply. The AOZ6184 features an ultra-low on resistance (8 Ω typ.), and low power consumption. The device also features fast switching and guaranteed Break-Before-Make (BBM) switching, assuring the switches never short the driver.

Features

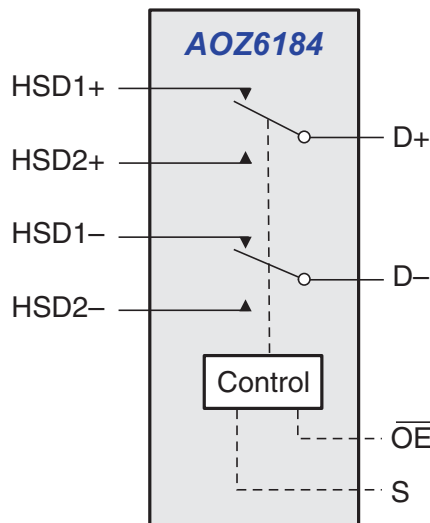
- Low On Resistance (R_{ON}) for 3.6 V supply (8 Ω)
- Low On Capacitance (C_{ON}) for 3.6 V supply (3.6 pF)
- Over-voltage tolerance (OVT) on all data ports up to 5.5 V
- QFN-10: 1.8 mm x 1.4 mm x 0.55 mm
- Broad 1.65 V to 4.50 V V_{CC} operating range
- Wide -3 dB bandwidth: 1.1 GHz typ.

Applications

- Cell phone
- PDA
- Portable media player



Typical Application



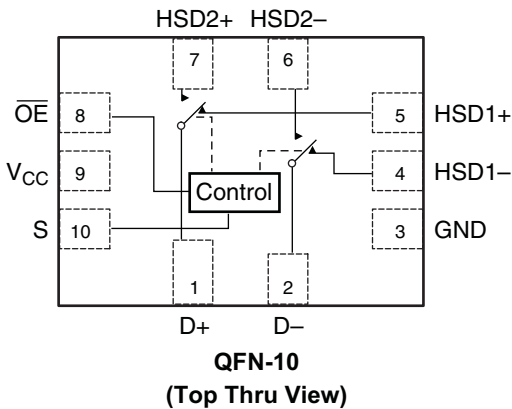
Ordering Information

Part Number	Ambient Temperature Range	Package	Environmental
AOZ6184QT	-40 °C to +85 °C	QFN-10	Green Product



AOS Green Products use reduced levels of Halogens, and are also RoHS compliant. Please visit www.aosmd.com/media/AOSGreenPolicy.pdf for additional information.

Pin Configuration



Pin Description

Pin Name	Function
S	Control Input
$\overline{\text{OE}}$	Output Enable
HSD1+, HSD1-, HSD2+, HSD2-, D+, D-	Data Ports

Truth Table

$\overline{\text{OE}}$	S	HSD1+, HSD1- HSD2+, HSD2-	HSD2+, HSD2- D+, D-
1	X	Off	Off
0	0	On	Off
0	1	Off	On

Absolute Maximum Ratings

Exceeding the Absolute Maximum Ratings may damage the device.

Symbol	Parameter	Rating	
V_{CC}	Supply Voltage	-0.5 V to +5.5 V	
V_S	Switch Voltage	-0.5 V to $V_{CC} + 0.3$ V	
V_{IN}	Input Voltage	-0.5 V to +4.6 V	
I_{IK}	Minimum Input Diode Current	-50 mA	
I_{SW}	Switch Current	100 mA	
T_{STG}	Storage Temperature Range	-65 °C to +150 °C	
T_J	Maximum Junction Temperature	+150 °C	
T_L	Lead Temperature (Soldering, 10 seconds)	+260 °C	
ESD	Human Body Model	All Pins	3000 V
		I/O to GND	5000 V
		Power to GND	5000 V

Recommended Operating Conditions

The device is not guaranteed to operate beyond the Recommended Operating Conditions.

Symbol	Parameter	Rating
V_{CC}	Supply Voltage	1.65 V to 4.5 V
V_{IN}	Control Input Voltage ⁽¹⁾	0 V to V_{CC}
V_{SW}	Switch Input Voltage	0 V to V_{CC}
T_A	Operating Temperature	-40 °C to +85 °C

Note:

1. Unused inputs must be held HIGH or LOW. They may not float.

DC Electrical Characteristics

Unless otherwise indicated, specifications indicate a temperature range of -40 °C to +85 °C.

All typical values are at 25 °C unless otherwise specified.

Symbol	Parameter	Conditions	V_{CC} (V)	Min.	Typ.	Max.	Units
V_{CL}	Clamp Voltage	$I_{IN} = -18$ mA	3.0			-1.2	V
V_{IH}	Input Voltage HIGH		4.3	1.4			V
			2.7 to 3.6	1.3			
			2.3 to 2.7	1.1			
			1.65 to 1.95	0.9			
V_{IL}	Input Voltage LOW		4.3			0.7	V
			2.7 to 3.6			0.5	
			2.3 to 2.7			0.4	
			1.65 to 1.95			0.4	
I_{IN}	Control Input Leakage	$V_{IN} = 0$ V to V_{CC}	1.65 to 4.5	-1.0		1.0	μ A
I_{OZ}	Off State Leakage	$V_{IN} = 0$ V to V_{CC}	1.65 to 4.5	-1.0		1.0	μ A
I_{OFF}	Power OFF Leakage Current (I/O ports)	$V_{IN} = 0$ V to V_{CC}	0	-1.0		1.0	μ A
R_{ON}	On-Resistance	$I_{ON} = 8$ mA, $V_{IN} = 0$ V to 0.4 V	4.3		7	10	Ω
			2.7 to 3.6		10	13	
			2.3 to 2.7		13	16	
ΔR_{ON}	On-Resistance Matching	$I_{ON} = 8$ mA, $V_{IN} = 0$ V to 0.4 V	4.3		0.6		Ω
			2.7 to 3.6		0.6		
			2.3 to 2.7		0.6		
$R_{FLAT} (ON)$	On-Resistance Flatness	$I_{ON} = 8$ mA, $V_{IN} = 0$ V to 0.4 V	4.3		0.4		Ω
			2.7 to 3.6		1.5		
			2.3 to 2.7		1.8		
I_{CC}	Quiescent Supply Current	$I_{OUT} = 0$ mA	4.3			1.0	μ A
I_{CCT}	Increase in I_{CC} per Input Control Voltage	$V_{Control} = 2.6$ V	4.3		3.0	7.0	μ A
		$V_{Control} = 1.8$ V			7.0	15.0	

AC Electrical Characteristics

Unless otherwise indicated, specifications indicate a temperature range of -40 °C to +85 °C.

All typical values are at 25 °C unless otherwise specified.

Symbol	Parameter	Conditions	V _{CC} (V)	Min.	Typ.	Max.	Units
t _{ON}	Turn-On Time	R _L = 50 Ω, C _L = 5 pF	3.6 to 4.3		18	28	ns
			2.7 to 3.6		21	31	
			2.3 to 2.7		36	46	
			1.65 to 1.95		80	90	
t _{OFF}	Turn-Off Time	R _L = 50 Ω, C _L = 5 pF	3.6 to 4.3		11	21	ns
			2.7 to 3.6		11	21	
			2.3 to 2.7		14	25	
			1.65 to 1.95		59	70	
t _{PD}	Propagation Delay	R _L = 50 Ω, C _L = 5 pF	1.65 to 4.5		0.25		ns
t _{BBM}	Break-Before-Make	R _L = 50 Ω, C _L = 5 pF	1.65 to 4.5		6.2		ns
O _{IRR}	Off Isolation	R _L = 50 Ω, f = 240 MHz	1.65 to 4.5		-36		dB
X _{TALK}	Crosstalk	R _L = 50 Ω, f = 240 MHz	1.65 to 4.5		-40		dB
BW	-3 dB Bandwidth	R _L = 50 Ω, C _L = 0 pF	1.65 to 4.5		1.1		GHz

USB Hi-Speed AC Electrical Characteristics

Unless otherwise indicated, specifications indicate a temperature range of -40 °C to +85 °C.

All typical values are at 25 °C unless otherwise specified.

Symbol	Parameter	Conditions	V _{CC} (V)	Min.	Typ.	Max.	Units
t _{SK}	Skew of Opposite Transitions of the Same Output	R _L = 50 Ω, C _L = 5 pF	1.65 to 4.5		20		ps
t _J	Total Jitter	R _L = 50 Ω, C _L = 5 pF, t _r = t _f = 500 ps (10% to 90%), f = 480MHz, PRBS = 2 ¹⁵ - 1	1.65 to 4.5		200		ps

Capacitance

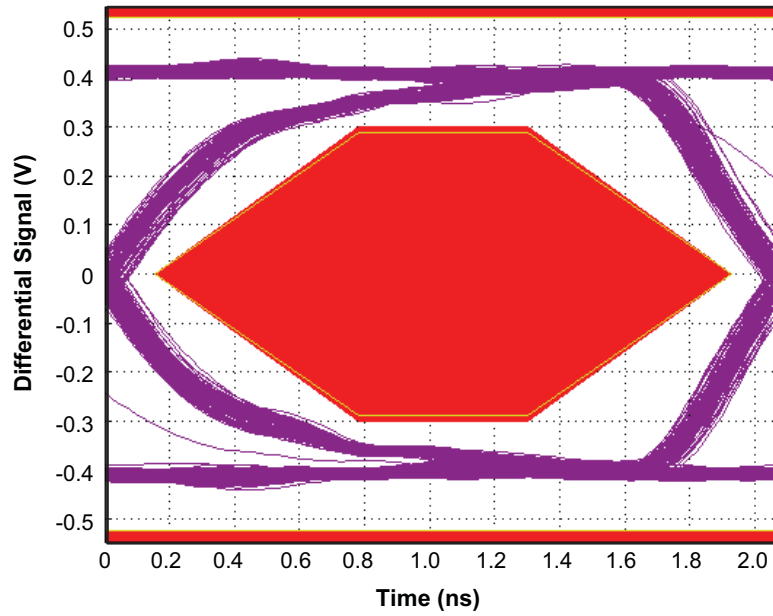
Unless otherwise indicated, specifications indicate a temperature range of -40 °C to +85 °C.

All typical values are at 25 °C unless otherwise specified.

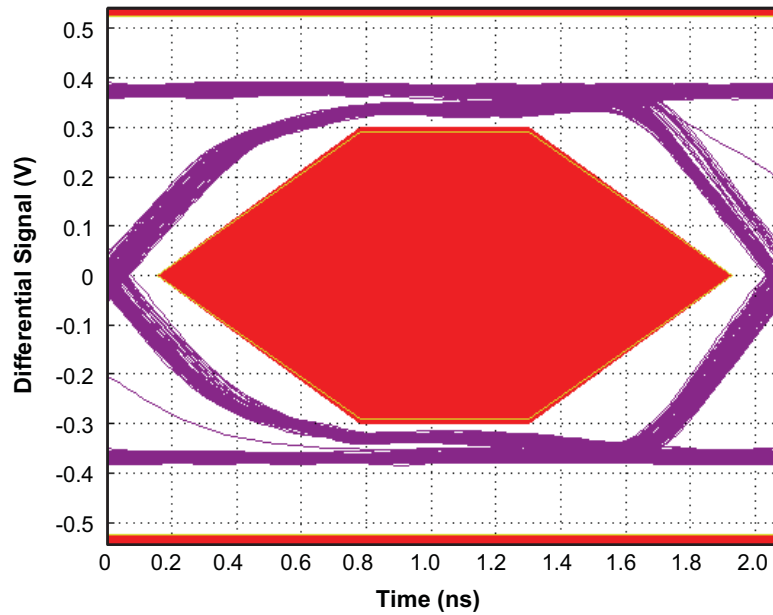
Symbol	Parameter	Conditions	V _{CC} (V)	Min.	Typ.	Max.	Units
C _{IN}	Control Pin Input Capacitance	1 MHz	3.3		1.7		pF
		10 MHz			1.7		
C _{ON}	D+/D- On Capacitance	OE = 0V, f = 1 MHz	3.3		3.6		
		OE = 0V, f = 10 MHz			3.8		
C _{OFF}	HSD1n/HSD2n Off Capacitance	OE = V _{CC} , f = 1 MHz	3.3		1.7		
		OE = 0V, f = 10 MHz			1.8		

Eye Patterns

480-Mbps USB Signal Without AOZ6184QT

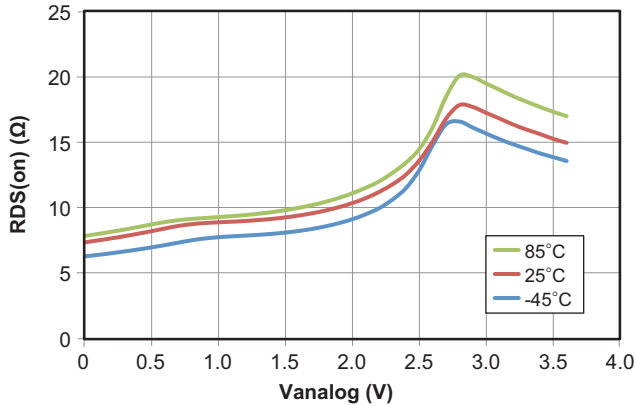


480-Mbps USB Signal With AOZ6184QT

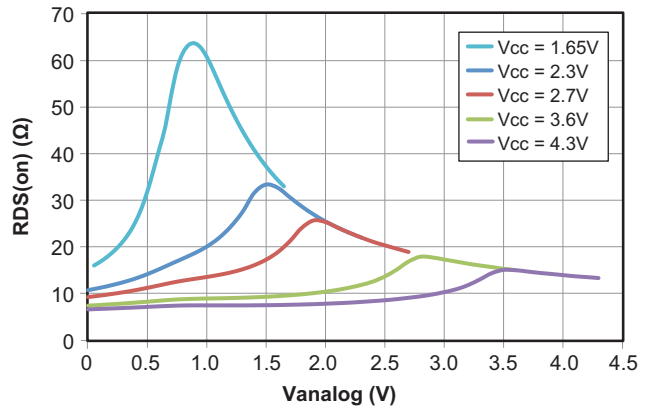


Typical Performance Characteristics

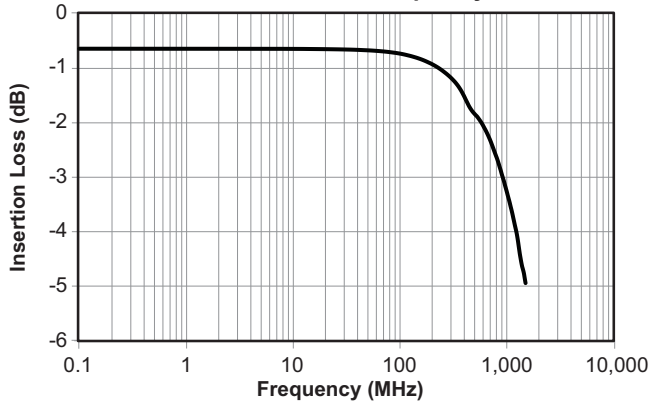
RDS(on) vs. Analog Voltage
(V_{CC} = 3.6V)



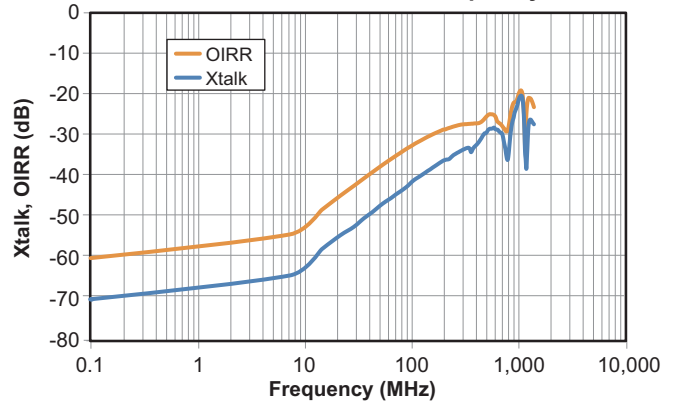
RDS(on) vs. Analog Voltage
(at 25°C)



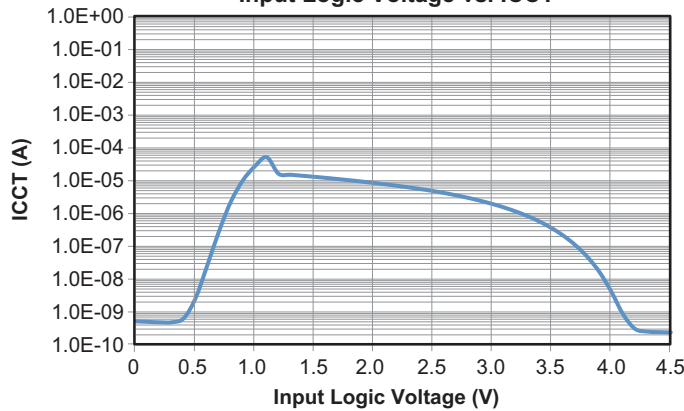
Insertion Loss vs. Frequency



Xtalk and Off Isolation vs. Frequency



Input Logic Voltage vs. ICCT



AC Loading and Waveforms

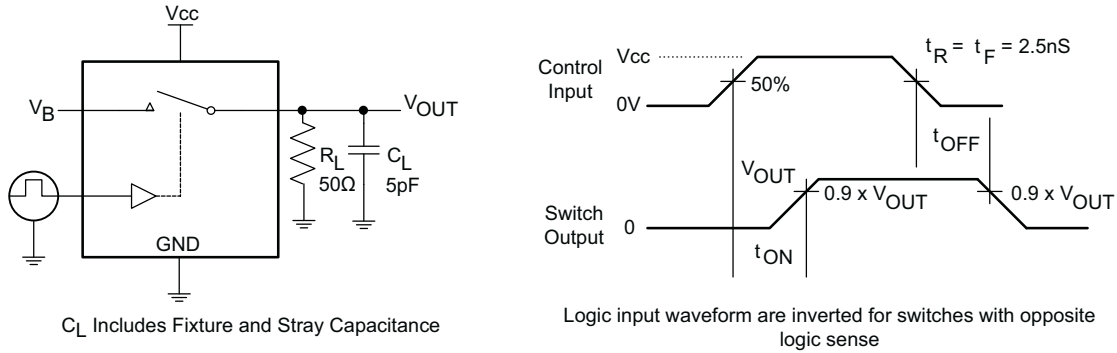


Figure 1. Turn-On/Turn-Off Timing

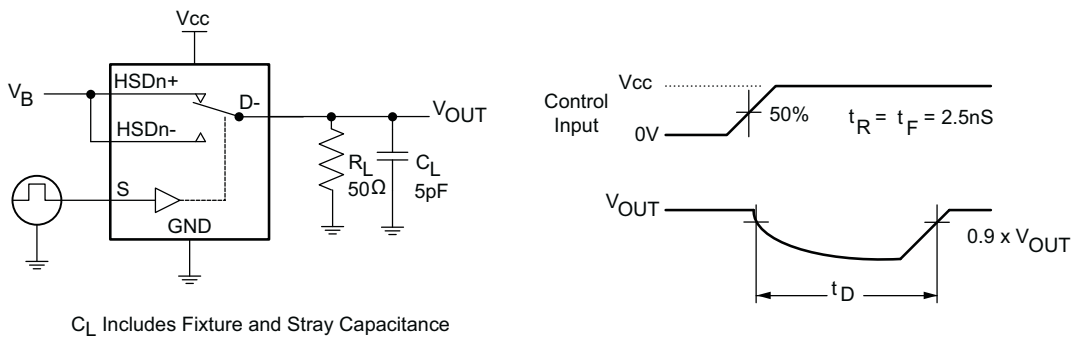


Figure 2. Break-Before-Make Timing

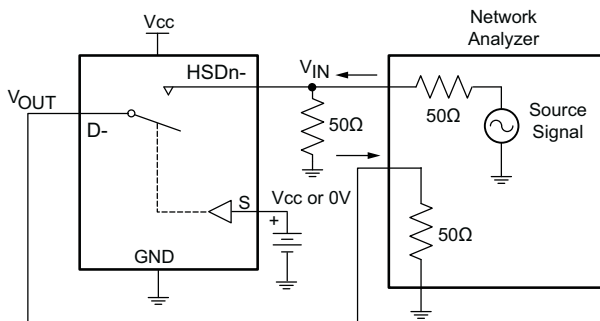


Figure 3. Off Isolation

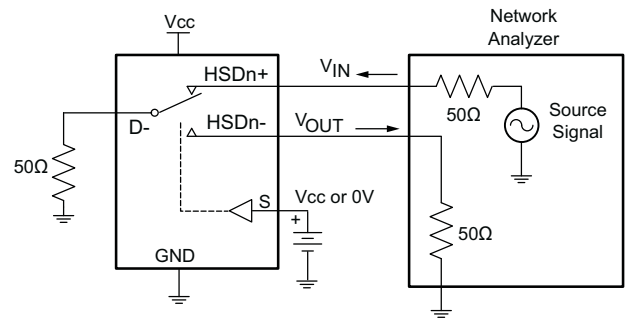


Figure 4. Crosstalk

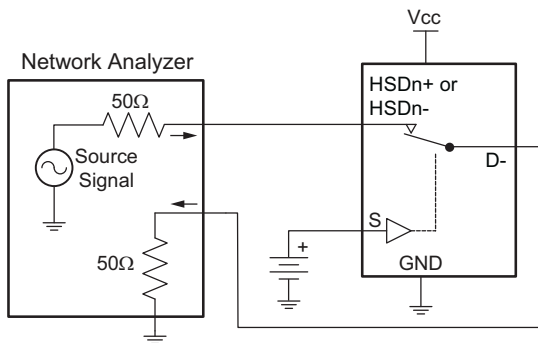


Figure 5. Bandwidth

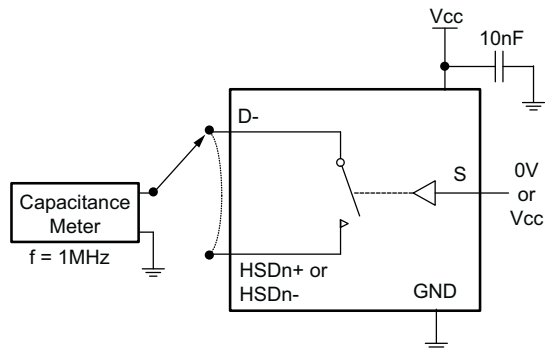
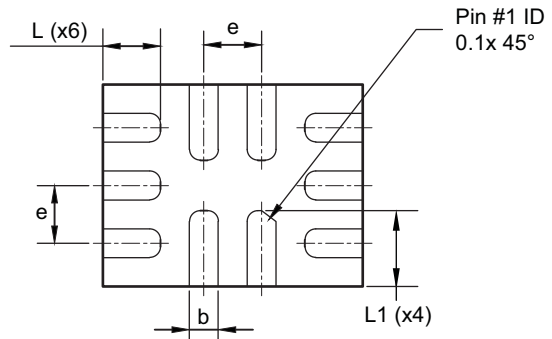
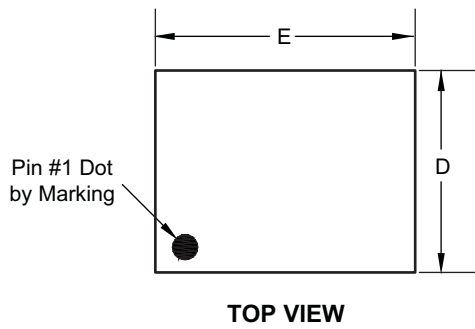
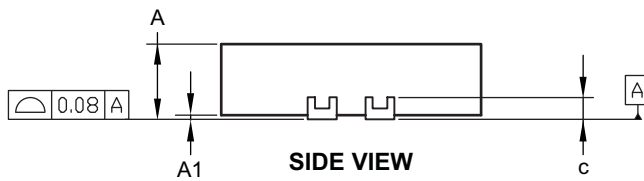


Figure 6. ON/Off Capacitance Measurement

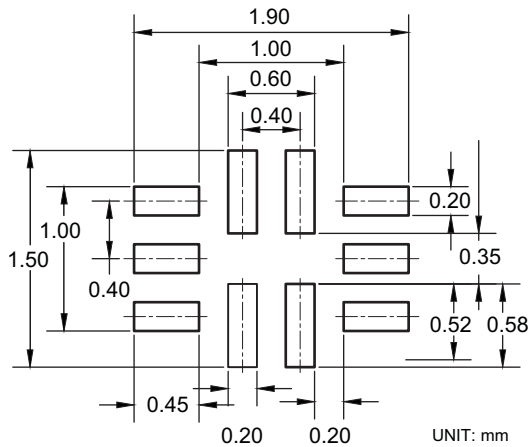
Package Dimensions, QFN 1.8x1.4, 10L



Bottom View



RECOMMENDED LAND PATTERN



Dimensions in millimeters

Symbols	Min.	Nom.	Max.
A	0.50	0.55	0.60
A1	0.00	—	0.05
b	0.15	0.20	0.25
c	0.152 REF.		
D	1.35	1.40	1.45
E	1.75	1.80	1.85
e	0.40 BSC		
L	0.35	0.40	0.45
L1	0.475	0.525	0.575

Dimensions in inches

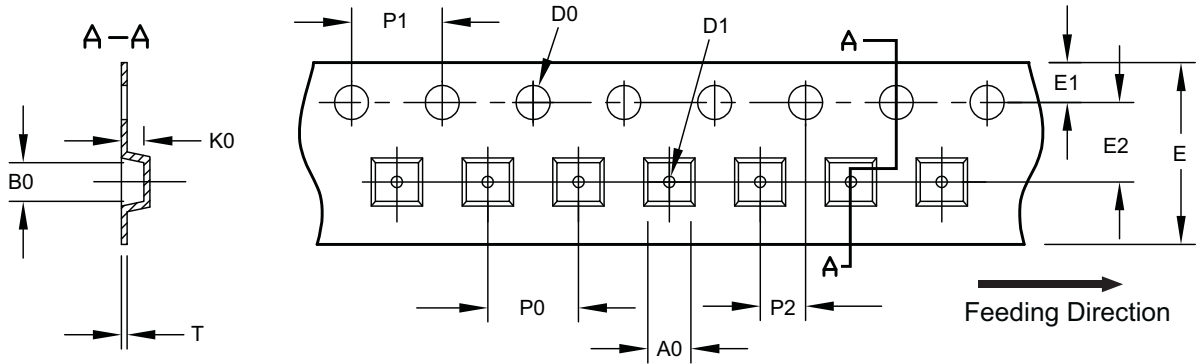
Symbols	Min.	Nom.	Max.
A	0.020	0.022	0.024
A1	0.000	—	0.002
b	0.006	0.008	0.010
c	0.006 REF.		
D	0.053	0.055	0.057
E	0.069	0.071	0.073
e	0.016 BSC		
L	0.014	0.016	0.018
L1	0.019	0.021	0.023

Notes:

- Controlling dimension is millimeter. Converted inch dimensions are not necessarily exact.

Tape and Reel Dimensions, QFN 1.8x1.4, 10L

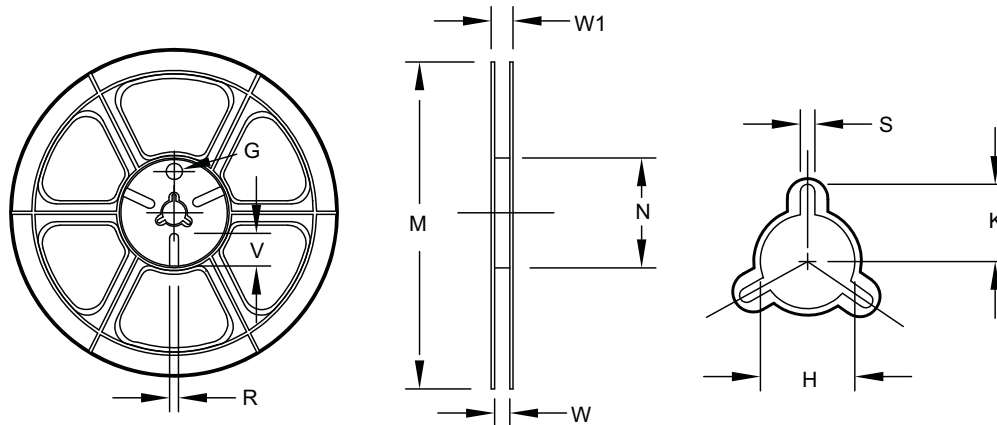
Carrier Tape



UNIT: mm

Package	A0	B0	K0	D0	D1	E	E1	E2	P0	P1	P2	T
QFN 1.8 x 1.4	1.90 ±0.05	1.70 ±0.05	1.00 ±0.05	1.50 +0.10/-0	0.50 ±0.05	8.00 +0.20/-0.10	1.75 ±0.10	3.50 ±0.05	4.00 ±0.10	4.00 ±0.10	2.00 ±0.05	0.254 ±0.02

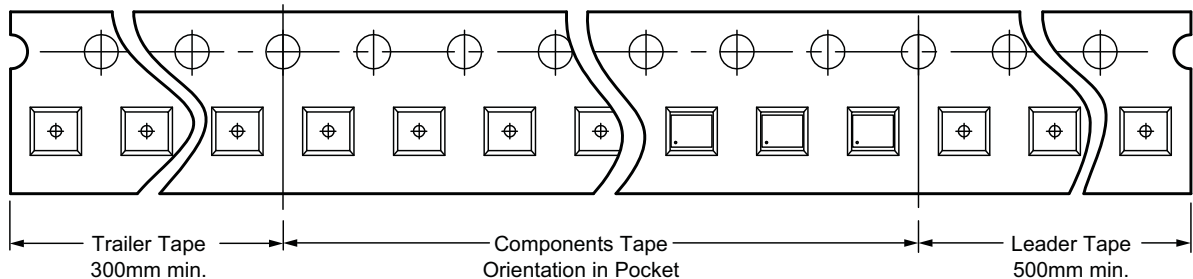
Reel



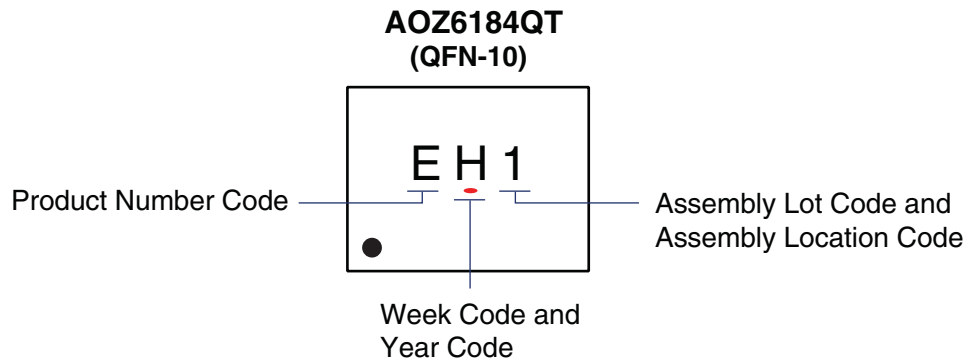
UNIT: mm

Tape Size	Reel Size	M	N	W	W1	H	K	S	G	R	V
8mm	ø178	ø178.0 ±1.0	ø70.5 ±1.0	9.0 ±0.5	11.8 ±1.1	ø13.0 +0.5/-0.2	10.25 ±0.1	2.4 ±0.1	ø9.8	N/A	N/A

Leader/Trailer and Orientation



Part Marking



LEGAL DISCLAIMER

Alpha and Omega Semiconductor makes no representations or warranties with respect to the accuracy or completeness of the information provided herein and takes no liabilities for the consequences of use of such information or any product described herein. Alpha and Omega Semiconductor reserves the right to make changes to such information at any time without further notice. This document does not constitute the grant of any intellectual property rights or representation of non-infringement of any third party's intellectual property rights.

LIFE SUPPORT POLICY

ALPHA AND OMEGA SEMICONDUCTOR PRODUCTS ARE NOT AUTHORIZED FOR USE AS CRITICAL COMPONENTS IN LIFE SUPPORT DEVICES OR SYSTEMS.

As used herein:

- | | |
|---|---|
| <p>1. Life support devices or systems are devices or systems which, (a) are intended for surgical implant into the body or (b) support or sustain life, and (c) whose failure to perform when properly used in accordance with instructions for use provided in the labeling, can be reasonably expected to result in a significant injury of the user.</p> | <p>2. A critical component in any component of a life support, device, or system whose failure to perform can be reasonably expected to cause the failure of the life support device or system, or to affect its safety or effectiveness.</p> |
|---|---|

单击下面可查看定价，库存，交付和生命周期等信息

[>>AOS\(万代\)](#)