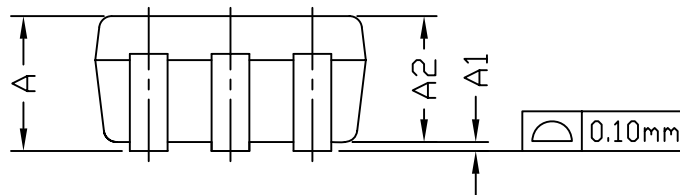
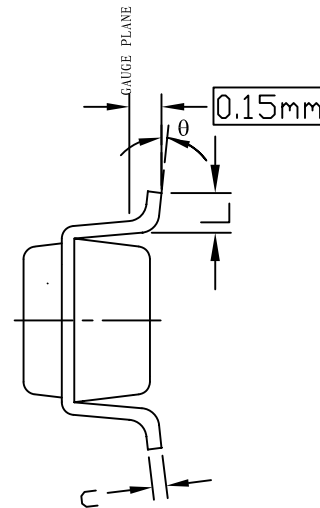
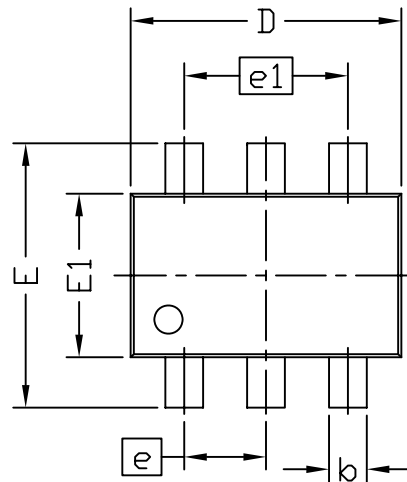
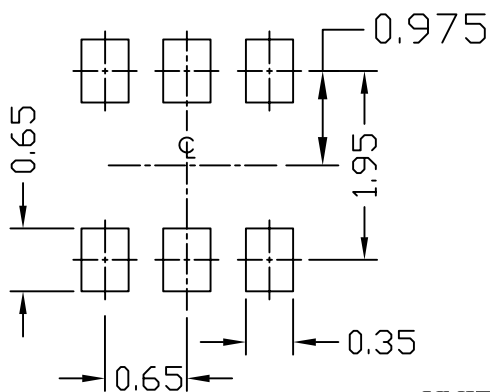




SC70\_6L PACKAGE OUTLINE



RECOMMENDED LAND PATTERN



UNIT: mm

SYMBOLS	DIMENSIONS IN MILLIMETERS			DIMENSIONS IN INCHES		
	MIN	NOM	MAX	MIN	NOM	MAX
A	—	—	1.10	—	—	0.043
A1	0.00	—	0.10	0.00	—	0.004
A2	0.7	0.9	1.00	0.028	0.035	0.039
b	0.15	—	0.30	0.006	—	0.012
c	0.08	—	0.22	0.003	—	0.009
D	1.85	2.10	2.15	0.073	0.083	0.085
E	1.80	2.30	2.40	0.071	0.091	0.094
e	0.65 BSC			0.026 BSC		
e1	1.30 BSC			0.051 BSC		
E1	1.1	1.30	1.4	0.043	0.051	0.055
L	0.26	0.36	0.46	0.010	0.014	0.018
θ	0°	4°	8°	0°	4°	8°

NOTE

1. ALL DIMENSIONS ARE IN MILLIMETERS.
2. DIMENSIONS ARE INCLUSIVE OF PLATING.
3. PACKAGE BODY SIZES EXCLUDE MOLD FLASH AND GATE BURRS.  
MOLD FLASH AT THE NON-LEAD SIDES SHOULD BE LESS THAN 3 MILS EACH.
4. DIE IS FACING UP FOR MOLD AND FACING DOWN FOR TRIM/FORM.  
ie: REVERSE TRIM/FORM.
5. DIMENSION L IS MEASURED IN GAUGE PLANE.
6. CONTROLLING DIMENSION IS MILLIMETER.  
CONVERTED INCH DIMENSIONS ARE NOT NECESSARILY EXACT.

单击下面可查看定价，库存，交付和生命周期等信息

[>>AOS\(万国半导体\)](#)