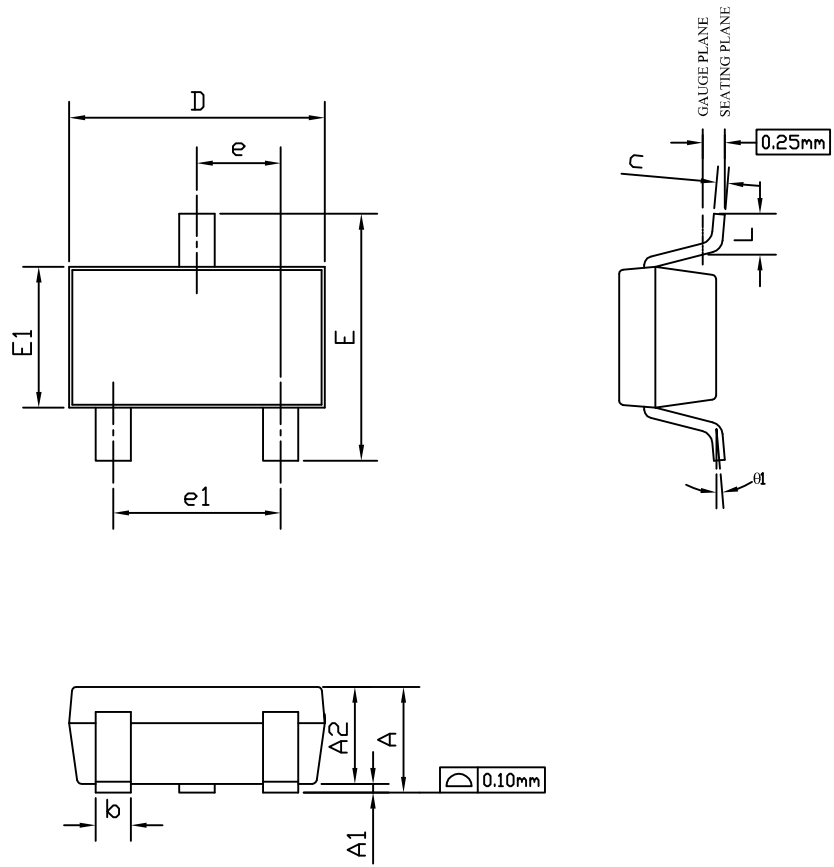
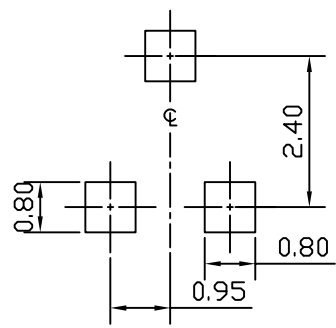




SOT23 PACKAGE OUTLINE



RECOMMENDED LAND PATTERN



UNIT: mm

| SYMBOLS | DIMENSIONS IN MILLIMETERS |      |      | DIMENSIONS IN INCHES |       |       |
|---------|---------------------------|------|------|----------------------|-------|-------|
|         | MIN                       | NOM  | MAX  | MIN                  | NOM   | MAX   |
| A       | 0.85                      | ---  | 1.25 | 0.033                | ---   | 0.049 |
| A1      | 0.00                      | ---  | 0.13 | 0.000                | ---   | 0.005 |
| A2      | 0.70                      | 1.00 | 1.15 | 0.028                | 0.039 | 0.045 |
| b       | 0.30                      | 0.40 | 0.50 | 0.012                | 0.016 | 0.020 |
| c       | 0.08                      | 0.13 | 0.20 | 0.003                | 0.005 | 0.008 |
| D       | 2.80                      | 2.90 | 3.10 | 0.110                | 0.114 | 0.122 |
| E       | 2.60                      | 2.80 | 3.00 | 0.102                | 0.110 | 0.118 |
| E1      | 1.40                      | 1.60 | 1.80 | 0.055                | 0.063 | 0.071 |
| e       | 0.95 BSC                  |      |      | 0.037 BSC            |       |       |
| e1      | 1.90 BSC                  |      |      | 0.075 BSC            |       |       |
| L       | 0.30                      | ---  | 0.60 | 0.012                | ---   | 0.024 |
| Ø1      | 0°                        | 5°   | 8°   | 0°                   | 5°    | 8°    |

NOTE

- PACKAGE BODY SIZES EXCLUDE MOLD FLASH OR GATE BURRS.  
MOLD FLASH AT THE NON-LEAD SIDES SHOULD BE LESS THAN 5 MILS EACH.
- TOLERANCE ±0.100 mm (4 mil) UNLESS OTHERWISE SPECIFIED.
- DIMENSION L IS MEASURED IN GAUGE PLANE.
- CONTROLLING DIMENSION IS MILLIMETER. CONVERTED INCH DIMENSIONS ARE NOT NECESSARILY EXACT.
- ALL DIMENSIONS ARE IN MILLIMETERS.

单击下面可查看定价，库存，交付和生命周期等信息

[>>AOS\(万国半导体\)](#)