



栅极驱动光耦
Gate Drive
Optocoupler

AT3120

Product Data Sheet

AOTE DCC
RELEASE

台湾奥特半导体科技有限公司

TAIWAN AOTE SEMICONDUCTOR TECHNOLOGY CO.,LTD

www.aotesemi.com

概述 Description

AT3120 是一种输出电流为 2.5A 的栅极驱动光电耦合器，具有一个砷化铝镓（AlGaAs）的发光二极管，通过红外光耦合到光敏集成电路。这种光电耦合器可驱动大多数的小功率 IGBTs 和 MOSFETs。在电机控制逆变器以及高性能电力系统应用中，非常适用于快速切换驱动功率 IGBTs 和 MOSFETs。

The AT3120 is a gate driven optocoupler with an output current of 2.5 A, with an AlGaAs LED, which is coupled to a photosensitive integrated circuit through infrared light. This optocoupler can drive most low-power IGBTs and MOSFETs. In the motor control inverter and high-performance power system applications, it is very suitable for fast switching drive power IGBTs and MOSFETs.

特性 Features

- . 35kV/us 最小共模抑制
35kV / us minimum Common Mode Rejection
- . 2.5A 最大峰值输出电流
2.5A maximum peak output current
- . 2.0A 最小峰值输出电流
2.0A minimum peak output current
- . 宽工作电压范围: 15V 至 30V
Wide operating V_{CC} Range: 15V ~ 30V
- . 最大传播延迟时间为 400ns
400ns maximum propagation delay.
- . 100ns 的脉宽失真
100ns of pulse width distortion
- . 迟滞后的欠压闭锁
Under Voltage Lock-Out protection (UVLO) with hysteresis
- . 工作温度范围: -40°C to $+110^{\circ}\text{C}$
Operating temperature range: -40°C ~ $+110^{\circ}\text{C}$
- . 符合加强绝缘标准
Meet reinforced insulation standards

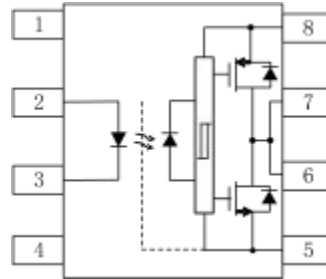
应用 Applications

- . 不间断电源
Uninterrupted Power Supply
- . IGBT 隔离/功率 MOSFET 栅极驱动
IGBT isolation / power MOSFET gate drive
- . 感应加热
Induction heating
- . 工业逆变器
Industrial inverters

真值表 Truth table

LED	$V_{CC}-V_{SS}$ " POSITIVE GOING" (TURN-ON)	$V_{CC}-V_{SS}$ "NEGATIVE GOING" (TURN-OFF)	VO
OFF	0~30V	0~30V	LOW
ON	0~11.5V	0~10V	LOW
ON	11.5~13.5V	10~12V	TRANSITION
ON	13.5~30V	12~30V	HIGH

封装和原理图 Package and Schematic Diagram



Pin Configuration

- 1, 4. NC
- 2. Anode
- 3. Cathode
- 5. VSS
- 6. VO2
- 7. VO1
- 8. VDD

注意：在引脚 5 和 8 之间必须连接一个 0.1uF 的旁路电容器。

Note: 0.1uF bypass capacitor must be connected between pins 5 and 8.

产品型号命名规则 Order Code

AT 3120 - UN Y - W (V) (ZZ)

- ①
- ②
- ③
- ④
- ⑤
- ⑥
- ⑦

① 公司代码 Company Code (AT: 奥特 AOTE)

② 产品系列 Product Series (3120)

③ 框架类型 Lead Frame (Cu: 铜框架 Copper)

④ 树脂类型 Epoxy Type (H: 无卤 Halogen-free)

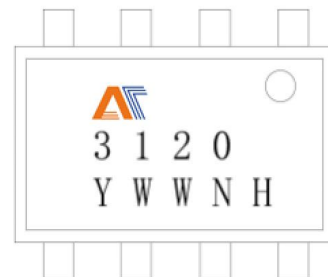
⑤ 封装形式 Package (D: DIP; S: SMD; M:DIP-M)

⑥ 器件工作温度范围 Device Operating Temperature Range (特殊范围需填或者空白 Special Range need to be filled in or left blank)

⑦ 内部补充代码 Internal Supplementary Code (数字或者空白 Number or None)

印字信息 Marking Information

- 印字中 “” 为奥特品牌 LOGO
“” denotes LOGO
- 印字中 “Y” 代表年份：A(2018), B(2019), C(2020)
“Y” denotes YEAR：A(2018), B(2019), C(2020)
- 印字中 “WW” 代表周号
“WW” denotes Week’ s number
- 印字中 “N” 代表星期几
“N” denotes day of the week
- 印字中的 “H” 代表无卤
“H” denotes Halogen-free



绝缘和安规信息 Insulation and Safety related specifications

项目 Item	符号 Symbol	数值 Value	单位 Unit	备注 Note
爬电距离 Creepage Distance	L	≥7	mm	从输入端到输出端，沿本体最短距离路径 Measured from input terminals to output terminals, shortest distance path along body.
电气间隙 Clearance Distance	L	≥7	mm	从输入端到输出端，通过空气的最短距离 Measured from input terminals to output terminals, shortest distance through air.
绝缘距离 Insulation Thickness	DTI	≥0.4	mm	发射器和探测器之间的绝缘厚度 Insulation thickness between emitter and detector.
峰值隔离电压 Peak Isolation Voltage	V _{IORM}	1500	V _{peak}	DIN/EN/IEC EN60747-5-5.
瞬态隔离电压 Transient Isolation Voltage	V _{IOTM}	7000	V _{peak}	DIN/EN/IEC EN60747-5-5.
隔离电压 Isolation Voltage	V _{ISO}	5000	V _{rms}	For 1 min

极限参数 Absolute Maximum Ratings (T_A = 25°C)

参数 Parameter		符号 Symbol	额定值 Rating	单位 Unit
输入 Input	正向输入电流 Forward Input Current	I _{FM}	25	mA
	反向电压 Reverse Voltage	V _R	5	V
输出 Output	峰值输出电流 Peak Output Current	I _{O(PEAK)}	3	A
	电源电压 Supply Voltage	V _{DD} -V _{SS}	0~30	V
	输出电压 Output Voltage	V _O	0~V _{DD}	V
隔离电压 Isolation Voltage		V _{ISO}	5000	V _{rms}
总功耗 Total Power Consumption		P _{tot}	200	mW
工作温度 Operating Temperature		T _{opr}	-40~+110	°C
存储温度 Storage Temperature		T _{stg}	-55~+125	°C
焊接温度 Soldering Temperature		T _{sol}	260	°C

推荐操作条件 Recommended Operating Conditions

参数 Parameter	符号 Symbol	最小值 Min	最大值 Max	单位 Unit
电源电压 Power Supply Voltage	$V_{CC}-V_{SS}$	15	30	V
开启电流 Input Current (ON)	$I_{F(ON)}$	7	16	mA
关断电压 Input Voltage (OFF)	$V_{F(OFF)}$	0	0.8	V
工作温度 Operating Temperature	T_A	-40	+110	°C

产品特性参数 Electro-optical Characteristics ($T_A = 25^\circ\text{C}$)

除非另有说明，在推荐的工作条件下测试最小值和最大值。典型值在 $T_A = 25^\circ\text{C}$ ， $V_{DD} = 30\text{V}$ ， $V_{SS} = \text{GND}$ 下测量。All minimum and maximum specifications are at recommended operating conditions, unless otherwise noted. All typical values are at $T_A = 25^\circ\text{C}$, $V_{DD} = 30\text{V}$, and $V_{SS} = \text{GND}$.

参数 Parameter	符号 Symbol	条件 Condition	最小 Min.	典型 Typ.	最大 Max.	单位 Unit
正向电压 Forward Voltage	V_F	$I_f = 10\text{mA}$	1.2	1.5	1.8	V
反向电流 Reverse Current	I_R	$V_R = 5\text{V}$	-	-	10	μA
高电平输出电流 High Level Output Current	I_{OH}	$V_O = V_{DD} - 3\text{V}$	-1.0	-2.0	-2.5	A
		$V_O = V_{DD} - 6\text{V}$	-2.0	-	-2.5	
低电平输出电流 Low Level Output Current	I_{OL}	$V_O = V_{SS} + 3\text{V}$	1.0	2.0	2.5	A
		$V_O = V_{SS} + 6\text{V}$	2.0	-	2.5	
高电平输出电压 High Level Output Voltage	V_{OH}	$I_f = 10\text{mA}$ $I_O = -2.5\text{A}$	$V_{DD} - 6.25\text{V}$	$V_{DD} - 2.5\text{V}$	-	V
		$I_O = -100\text{mA}$	$V_{DD} - 0.3\text{V}$	$V_{DD} - 0.1\text{V}$	-	
低电平输出电压 Low Level Output Voltage	V_{OL}	$I_f = 0\text{mA}$ $I_O = 2.5\text{A}$	-	$V_{SS} + 2.5\text{V}$	$V_{SS} + 6.25\text{V}$	V
		$I_O = 100\text{mA}$	-	$V_{SS} + 0.1\text{V}$	$V_{SS} + 0.3\text{V}$	
高电平电源电流 High Level Power Supply Current	I_{BDH}	$V_O = \text{Open}$, $I_f = 7$ to 16mA	-	1.8	3.8	mA
低电平电源电流 Low Level Power Supply Current	I_{BDL}	$V_O = \text{Open}$, $V_F = 0$ to 0.8V	-	2.1	3.8	mA
输入开启电流 Input The Turn On Current	I_{FLH}	$I_O = 0\text{mA}$, $V_O > 5\text{V}$	-	2.8	5.0	mA
输入关闭电压 Input The Turn Off Voltage	V_{FHL}	$I_O = 0\text{mA}$, $V_O < 5\text{V}$	0.8	-	-	V
低电压锁定阈值 UVLO Threshold	V_{UVLO+}	$I_f = 10\text{mA}$, $V_O > 5\text{V}$	11.5	12.7	13.5	V
	V_{UVLO-}	$I_f = 10\text{mA}$, $V_O < 5\text{V}$	10.0	11.2	12	V
低电压锁定阈值迟滞 UVLO Hysteresis	$UVLO_{HYS}$	-	-	1.5	-	V

隔离电阻 Isolation Resistance	R_{ISO}	$V_{I-O} = 500V, 40 \sim 60\%R.H.$	-	10^{11}	-	Ω
隔离电容 Isolation Capacitance	C_{ISO}	$V_{I-O} = 0V, Freq = 1MHz$	-	1	-	pF
低电平传输延迟 Propagation Delay Time to Low Output Level	T_{PHL}	$I_f = 7mA \text{ to } 16mA,$ $R_g = 10\Omega,$ $C_g = 10nF,$ $F = 10kHz,$ 占空比=50%	-	71	400	ns
高电平传输延迟 Propagation Delay Time to High Output Level	T_{PLH}		-	68	400	ns
脉冲失真 Pulse Width Distortion	PWD		-	3	100	ns
传播延迟差 Propagation Delay Diference Between Any Two Parts	PDD		-250	-	250	ns
输出上升时间(10%~90%) Output Rise Time (10% To 90%)	T_R	$I_f = 7mA \text{ to } 16mA,$ $R_g = 10\Omega,$ $C_g = 10nF,$ $F = 10kHz,$ 占空比=50%	-	60	-	ns
输出下降时间(90%~10%) Output Drop Time(90%~10%)	T_F		-	60	-	ns
UVLO 开启延迟 UVLO Turn On Delay	$T_{UVLO ON}$	$I_f = 10mA, V_o > 5V$	-	1.6	-	μs
UVLO 关闭延迟 UVLO Turn Off Delay	$T_{UVLO OFF}$	$I_f = 10mA, V_o < 5V$	-	0.4	-	μs
输出高电平共模抑制 Output High Level Common Mode Transient Immunity	$ CM_H $	$T_A = 25^\circ C$ $V_{DD} = 30V$ $V_{CM} = 2000V$ $I_f = 7 \sim 16mA$ $V_F = 0V$	35	50	-	KV/ μs
输出低电平共模抑制 Output Low Level Common Mode Transient Immunity	$ CM_L $	$T_A = 25^\circ C$ $V_{DD} = 30V$ $V_{CM} = 2000V$ $I_f = 7 \sim 16mA$ $V_F = 0V$	35	50	-	KV/ μs

典型光电特性曲线 Typical Electro-Optical Characteristics Curves

Fig.1 High Output Rail Voltage vs Ambient Temperature

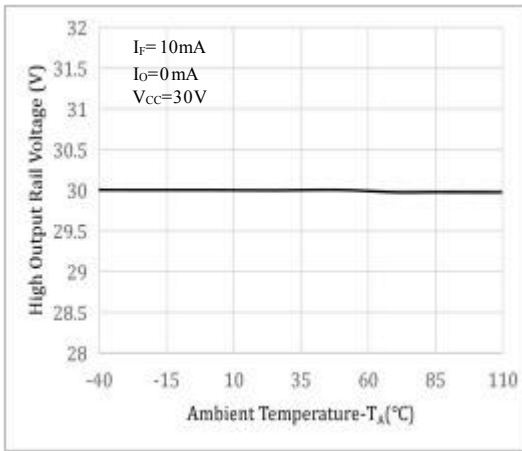


Fig.2 High Level Output Voltage vs Ambient Temperature

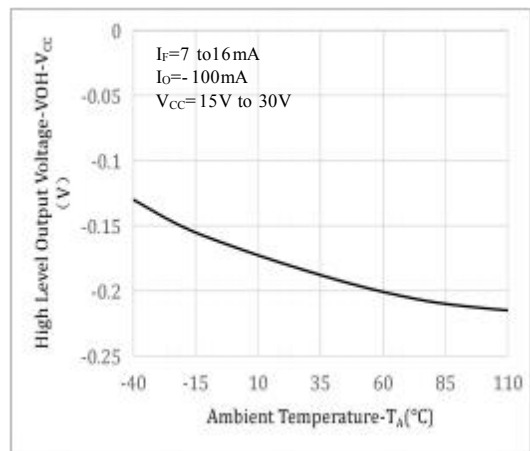


Fig.3 Low Level Output Voltage vs Ambient Temperature

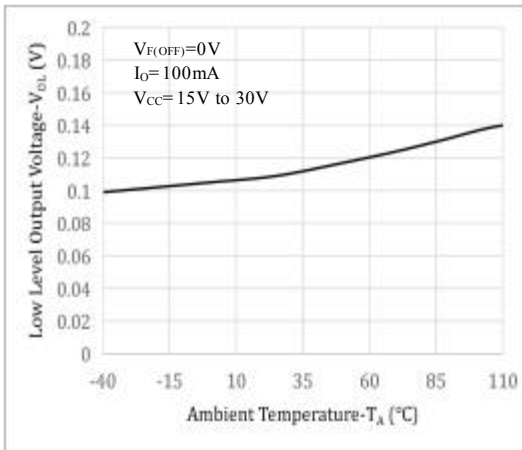


Fig.4 Supply Current vs Ambient Temperature

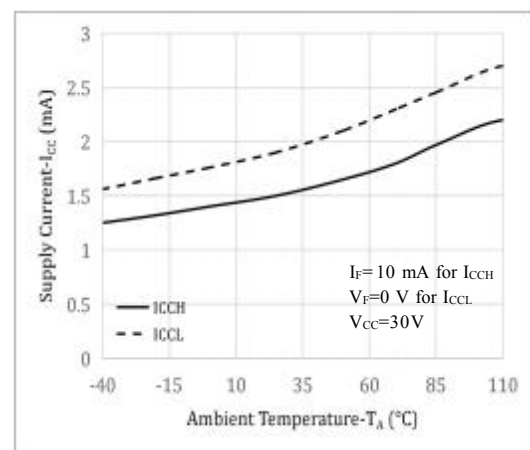


Fig.5 Supply Current vs Supply Voltage

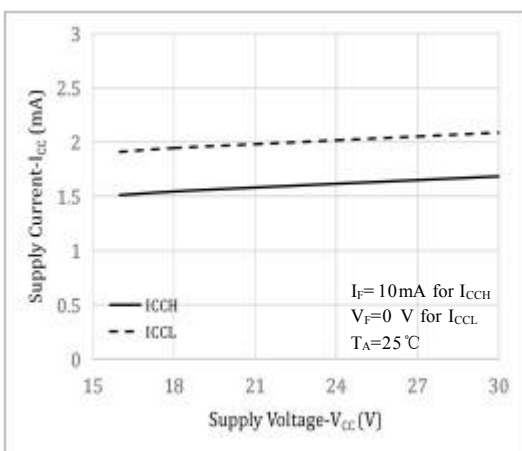


Fig.6 Output Voltage vs Threshold Input Current Low to High

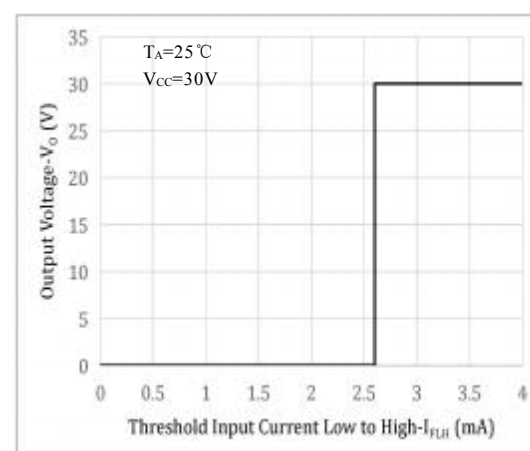


Fig.7 Threshold Input Current Low to High vs Ambient Temperature

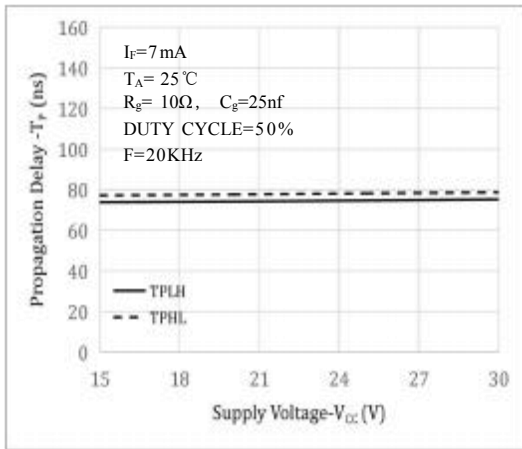


Fig.8 Propagation Delay vs Supply Voltage

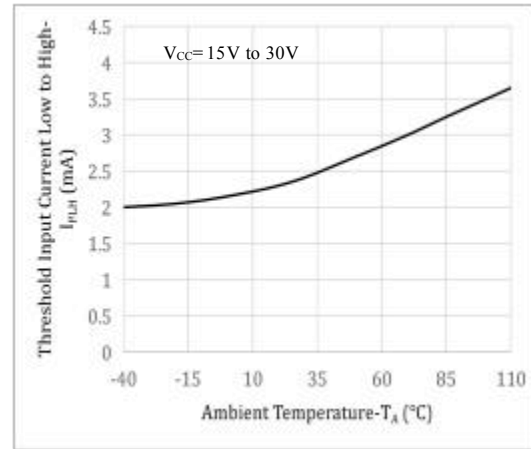


Fig.9 Propagation Delay vs Forward Current

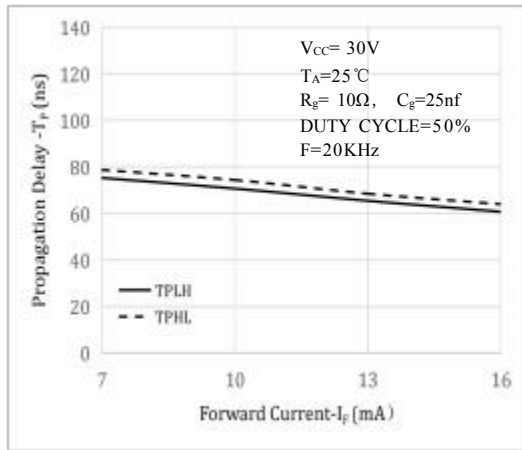


Fig.10 Propagation Delay vs Ambient Temperature

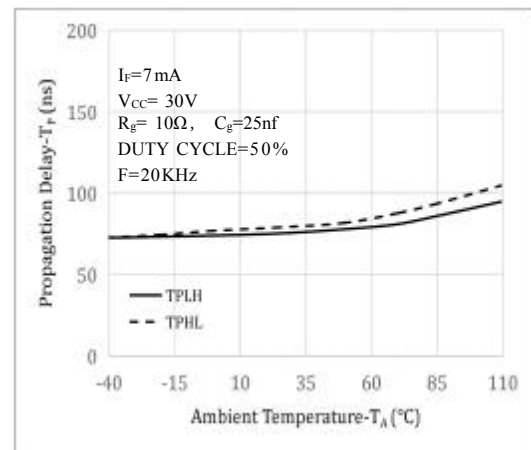
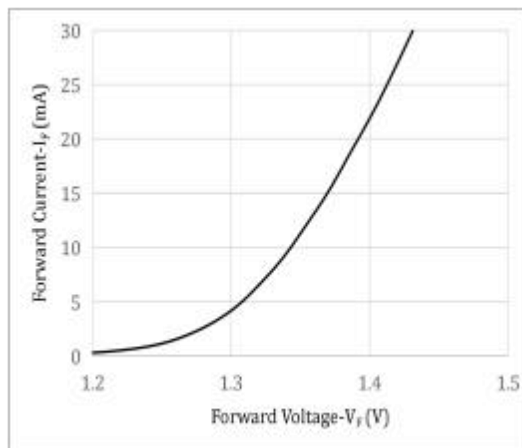


Fig.11 Forward Current vs Forward Voltage



测试电路图 Test Circuits Diagrams

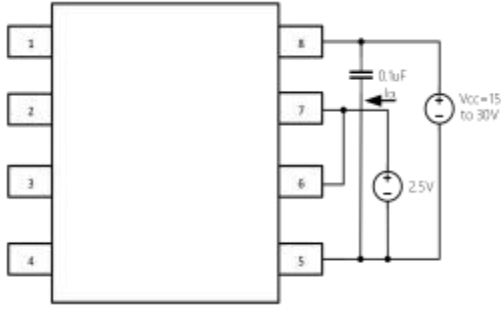


Figure.12 I_{OL} Pulsed Test Circuit

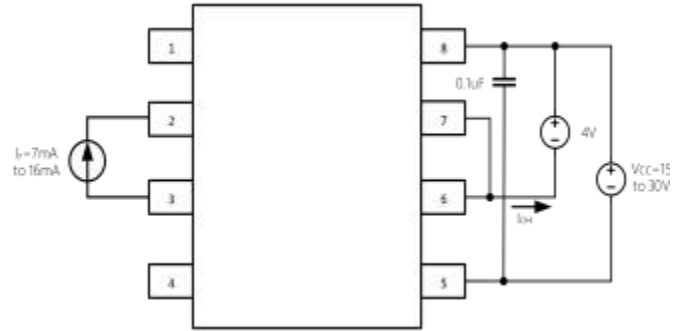


Figure.13 I_{OH} Pulsed Test Circuit

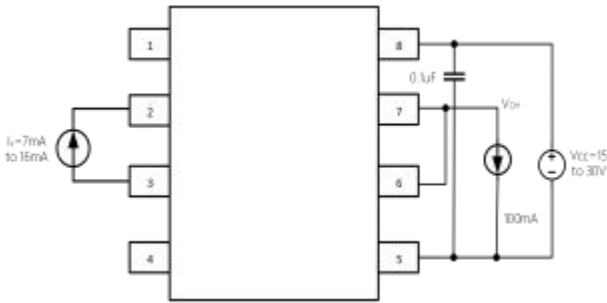


Figure.14 V_{OH} Pulsed Test Circuit

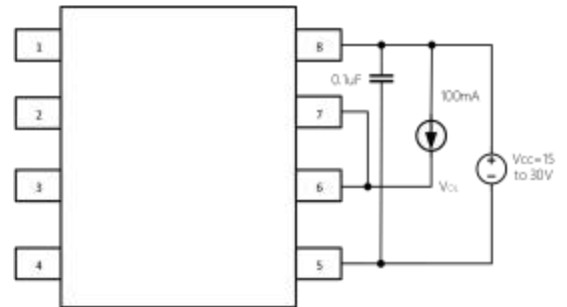


Figure.15 V_{OL} Pulsed Test Circuit

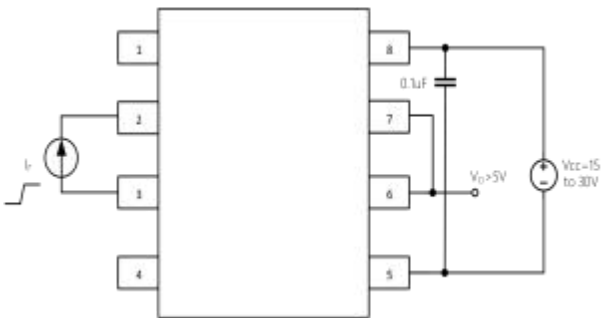


Figure.16 I_{FLH} Test Circuit

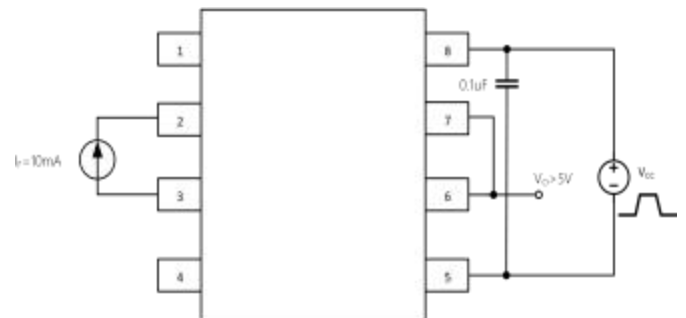


Figure.17 UVLO Test Circuit

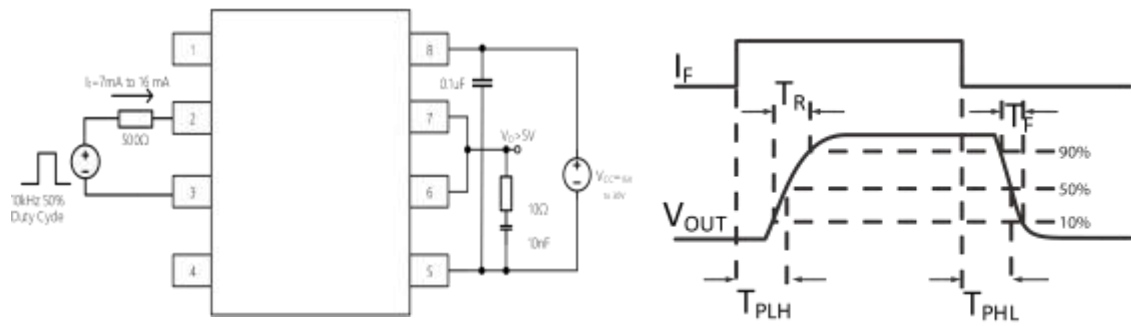


Figure.18 T_{PHL} 、 T_{PLH} 、 T_R 、 T_F Test Circuit

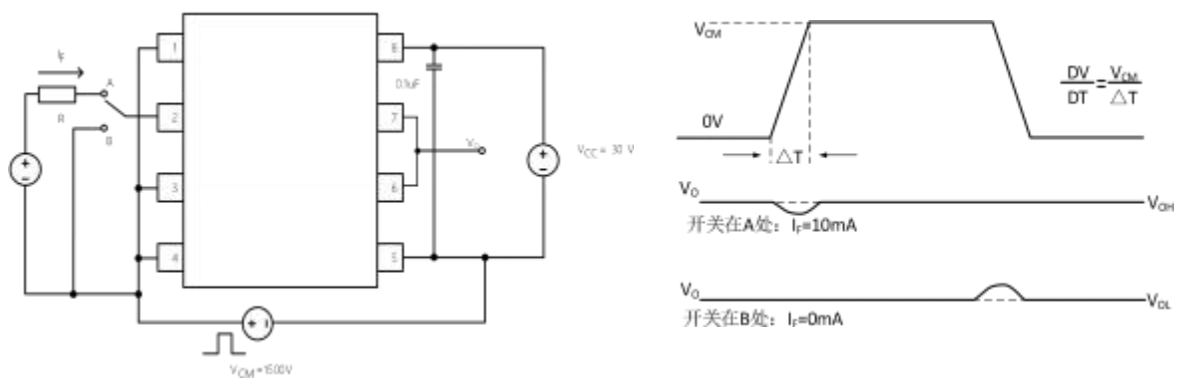
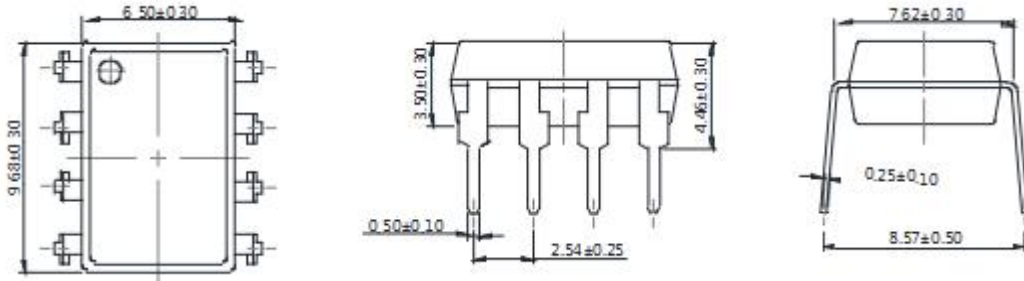


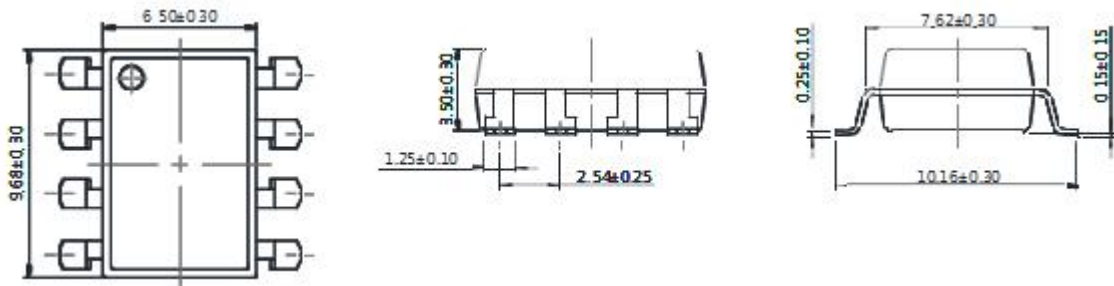
Figure.19 CMR Test Circuit

外形尺寸 Outline Dimensions

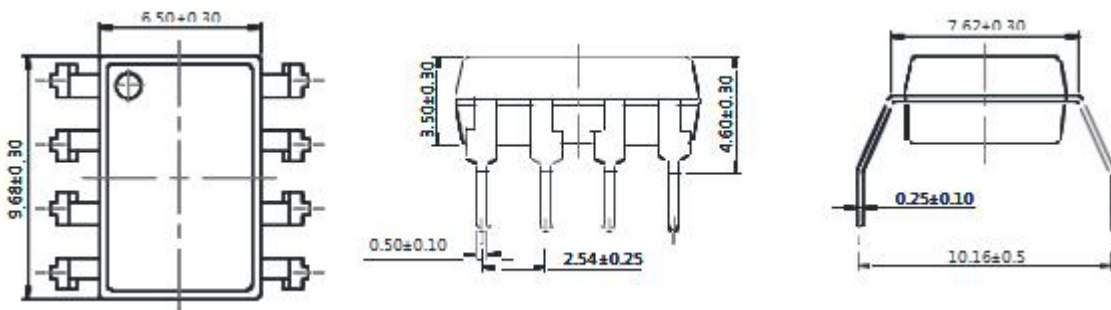
DIP8



SMD8

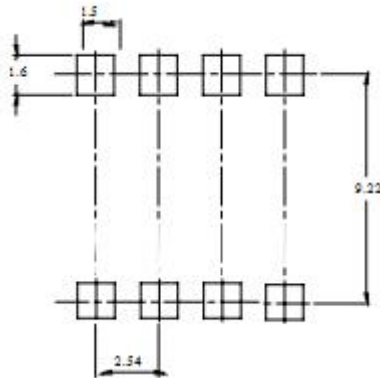


DIP8-M



单位 Unit: mm

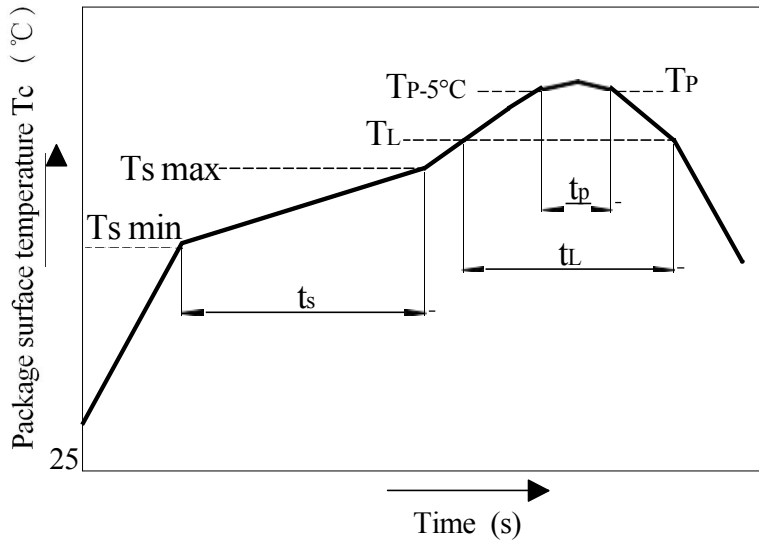
建议焊盘布局 Recommended Pad Layout



单位 Unit: mm

注：上图为产品正视图。

Note : The picture above is the front view of the product.

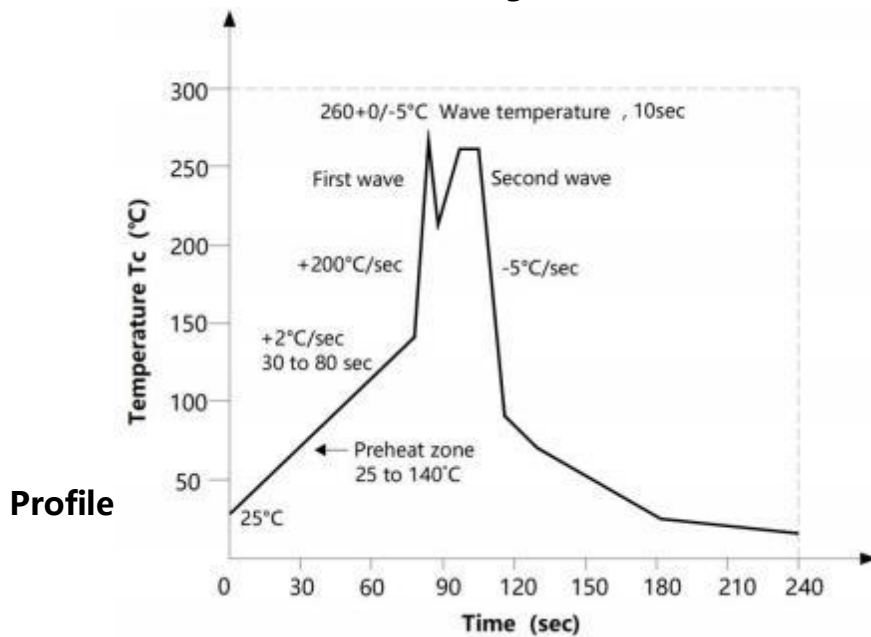
回流焊温度曲线图 Solder Reflow Profile


项目 Item	符号 Symbol	最小值 Min.	最大值 Max.	单位 Unit
预热温度 Preheat Temperature	T_s	150	200	$^\circ\text{C}$
预热时间 Preheat Time	t_s	60	120	s
升温速率 Ramp-Up Rate (T_L to T_P)	-	-	3	$^\circ\text{C}/\text{s}$
液相线温度 Liquidus Temperature	T_L	217		$^\circ\text{C}$
时间高于 T_L Time Above T_L	t_L	60	150	s
峰值温度 Peak Temperature	T_P	-	260	$^\circ\text{C}$
T_c 在 $(T_P - 5)$ 和 T_P 之间的时间 Time During Which T_c Is Between $(T_P - 5)$ and T_P	t_p	-	30	s
降温速率 Ramp-down Rate (T_P to T_L)	-	-	6	$^\circ\text{C}/\text{s}$

注：建议在所示的温度和时间条件下进行回流焊，最多不能超过三次。

Note: Reflow soldering is recommended at the temperatures and times shown, no more than three times.

波峰焊温度曲线图 Wave Soldering



手工烙铁焊接 Soldering with hand soldering iron

- A. 手工烙铁焊仅用于产品返修或样品测试；
Hand soldering iron is only used for product rework or sample testing;
- B. 手工烙铁焊要求：温度 $360^{\circ}\text{C} \pm 5^{\circ}\text{C}$ ，时间 $\leq 3\text{s}$ 。
Manual soldering method Temperature: $360^{\circ}\text{C} \pm 5^{\circ}\text{C}$, within 3s.

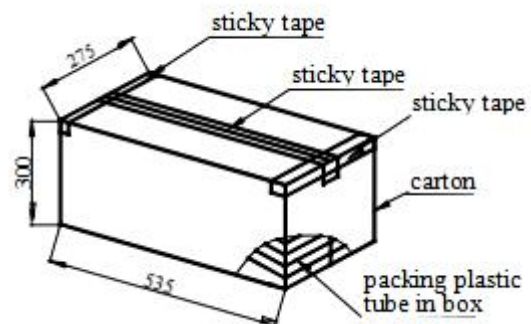
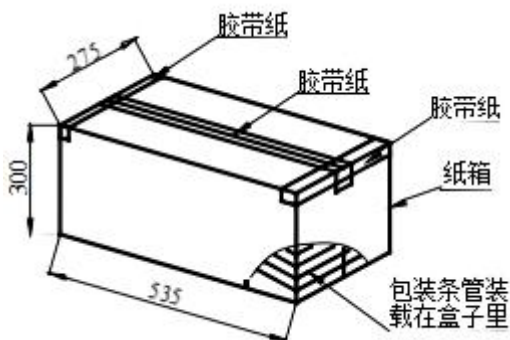
包装 Packing

■ 汇总表 Summary table

封装形式	包装方式	盘数量	盒数量	箱数量	静电袋规格	盒规格	箱(双瓦楞)规格	备注
Package Type	Packing Form	Quantity per Reel	Quantity per Box	Quantity per Carton	Antistatic Bag Specification	Box Specification	Carton Specification	Note
SMD8	卷盘 (ϕ 330mm 蓝盘)	1k/盘	2 盘/盒	10 盒/箱	450*390*0.1mm	340*60*340mm	620*360*365mm	首尾端空至少200mm
DIP8	管装 (500*12*11mm)	45/管	50 管/盒	10 盒/箱	不适用	525*128*56mm	535*275*300mm	每管使用蓝白胶塞，方向须一致
SMD8	Reel (ϕ 330mm Blue)	1k pcs/reel	2 reels/box	10 boxes/ctn	450*390*0.1mm	340*60*340mm	620*360*365mm	Leave at least 200mm of blank space at both ends
DIP8	Tube (500*12*11mm)	45 pcs/Tube	50 tubes/box	10 boxes/ctn	Not applicable	525*128*56mm	535*275*300mm	Use blue and white rubber stoppers for each tube, with the same direction

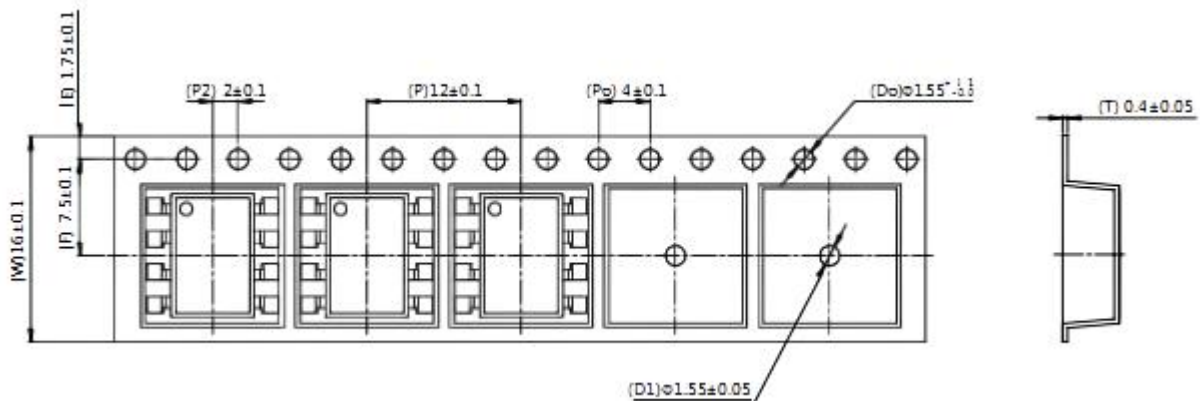
■ 管条包装 Tube

- 1) 每管数量：45 只。
Qty/Tube：45 pcs.
- 2) 每箱数量：22500 只。
Qty/ctn：22500 pcs.
- 3) 内包装：每盒 50 管。
Inner packing：50 tubes/box.
- 4) 示意图 Schematic：



■ 编带包装 Tape & Reel

- 1) 每卷数量：1000 只。
Qty/reel：1000 pcs.
- 2) 每箱数量：20000 只。
Qty/ctn：20000 pcs.
- 3) 内包装：每盒 2 盘。
Inner packing：2 reels/box.
- 4) 示意图 Schematic：



单位 Unit：mm

注意 Attention

- 奥特持续不断改进质量、可靠性、功能或设计，保留此文件更改的权利恕不另行通知。
AOTE continuously improve quality, reliability, function or design. We reserve the right to change this document without notice.
- 请遵守产品规格书使用，奥特不对使用时不符合产品规格书条件而导致的质量问题负责。
Please use in accordance with the product specification. AOTE is not responsible for the quality problems caused by non-compliance with the product specifications.
- 对于需要高可靠性或安全性的设备/装置需求，请联系我们的销售人员。
For equipment/devices where high reliability or safety is required, please contact our sales representatives.
- 当需要用于任何“特定”应用时，请咨询我们的销售人员。
When requiring a device for any “specific” application, please contact our sales in advice.
- 如对文件中表述的内容有疑问，欢迎联系我们。
If you have any questions about the contents of the document, please contact us.

单击下面可查看定价，库存，交付和生命周期等信息

[>>AOTE\(奥特\)](#)